



# Egg Boiler with Poacher

Model: SF21020N

Helpline

**01733 404703**

v1.4



## IMPORTANT INFORMATION - RETAIN FOR FUTURE USE

**When using any electrical appliance, basic safety precautions should always be followed including the following:**

- Always ensure that the voltage on the rating label corresponds to the mains voltage in your home
- Incorrect operation and improper use can damage the appliance and cause injury to the user.
- This appliance can be used by children aged from 8 years and above if they have been given supervision or instruction concerning use of the appliance in a safe way and if they understand the hazards involved. Cleaning and user maintenance shall not be made by children unless they are older than 8 and supervised. Keep the appliance and its cord out of reach of children aged less than 8 years. Check the power cord and plug regularly for any damage. If the cord or the plug is damaged, it must be replaced by the manufacturer or qualified person in order to avoid an electrical hazard. Appliances can be used by persons with reduced physical, sensory or mental capabilities or lack of experience and knowledge if they have been given supervision or instruction concerning use of the appliance in a safe way and understand the hazards involved.
- Do not use the appliance if it has been dropped or damaged in any way. In case of damage, take the unit in for examination and/or repair by an authorised service agent.
- Never immerse the unit in water or any other liquid for cleaning purposes.



## IMPORTANT INFORMATION - RETAIN FOR FUTURE USE

- Remove the plug from the socket by gripping the plug. Do not pull on the cord to disconnect the appliance from the mains. Always unplug the unit when not in use, before cleaning or when adding or removing parts.
- The use of accessory attachments that are not recommended or supplied by the manufacturer may result in injuries, fire or electric shock.
- Do not let the cord hang over the edge of a table or counter. Ensure that the cord is not in a position where it can be pulled on inadvertently.
- Do not allow the cord to touch hot surfaces and do not place on or near a hot gas or electric burner or in a heated oven.
- Do not use the appliance on a gas or electric cooking top or over or near an open flame.
- Use of an extension cord with this appliance is not recommended. However, if it is necessary to use an extension lead, ensure that the lead is suited to the power consumption of the appliance to avoid overheating of extension cord, appliance or plug point. Do not place the extension cord in a position where it can be pulled on by children or animals or tripped over.
- This appliance is not suitable for outdoor use. Do not use the appliance for anything other than its intended use.
- Do not carry the appliance by the power cord.
- Do not leave the appliance unattended during use. Always unplug the unit when not in use or before cleaning.
- Always operate the appliance on a smooth, even, stable surface. Do not place the unit on a hot surface.



## IMPORTANT INFORMATION - RETAIN FOR FUTURE USE

- Ensure that the unit is switched off after use.
- The manufacturer does not accept responsibility for any damage or injury caused by improper or incorrect use, or for repairs carried out by unauthorised personnel.
- In case of technical problems, switch off the product and do not attempt to repair it yourself. Return the appliance to an authorised service facility for examination, adjustment or repair. Always insist on the use of original spare parts. Failure to comply with the above mentions precautions and instructions, could affect the safe operation of this product.
- Your appliance must never be switched on through an external timer or any kind of separate remote control system
- This appliance is intended to be used in household and similar applications such as: staff kitchen areas, in shops, offices and other working environments; farm houses; by clients in hotels, motels and other residential type environments; bed and breakfast type environments.
- **NEVER IMMERSER THE UNIT IN WATER**



## CLEANING

Ensure the product is fully cooled, switched off and disconnected from the mains supply before cleaning.

You can clean the lid, egg rack and poacher accessory in warm soapy water - or put in dishwasher. Always rinse and dry thoroughly before storing.

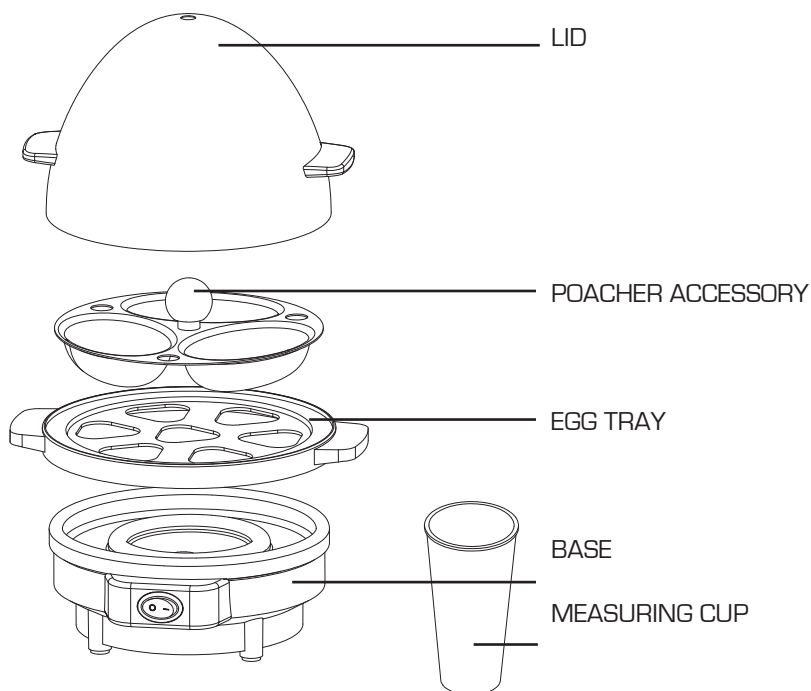
The outside of the egg boiler can be cleaned with a soft cloth moistened with a mild detergent solution.

NEVER immerse the base in water or run it under the tap. Do not use abrasive or strong chemical agents to clean the egg boiler.



## HOW TO USE

### PARTS



**FIRST USE**, remove all packaging.

Using the above diagram, familiarise yourself with the egg boiler. In addition to the egg tray, we have included a bonus egg poacher accessory to be used in place of the egg tray when poached eggs are required. Always use the EGG TRAY whether using the POACHER ACCESSORY or not. Do not connect the egg boiler to the mains supply yet.



## TECHNICAL DATA

Description: Egg boiler & poacher

Model: SF21020N

Input Voltage: 230V

Frequency: 50/60Hz

Power consumption: 350 Watts





## HOW TO USE

The key to cooking perfect eggs is timing!

The Swan egg boiler & poacher uses pre-measured amounts of water as a timing mechanism to ensure your eggs are cooked exactly as you like them.

So the measuring cup is very important here. If you look carefully you will see various graduations on the side of the measuring cup, depending on the number of eggs you are cooking and whether you prefer hard or soft eggs. This is fairly accurate but because eggs come in lots of different sizes, there may be a little bit of variation in results.

So let's begin

1. Fill the measuring cup with the required amount of water
2. Pour the water into the aluminium tray
3. Place your eggs on the egg rack
4. Put the lid on
5. Switch on the egg boiler

The water will heat up, then boil and evaporate. The egg boiler detects when the water has boiled away and a buzzer will sound. This indicates that the eggs have finished cooking.

So easy isn't it?

Using the poacher is essentially the same process, but it is best to line the poacher with butter or oil before breaking the eggs into it. When cooking simply put the egg poacher on top of the egg rack.

### **Adjustments to cooking time**

The rule is, the more water you use - the longer the cooking time. So if you prefer your eggs more runny, use less water. If you want them firmer or hard boiled, use more water.

Take extra care when removing the egg tray or poacher accessory after cooking. It will be HOT!



**CAUTION: Surfaces become hot during use**



## WARRANTY

This product is guaranteed for 2 years from the date of original purchase. If any defect arises due to faulty materials or workmanship the faulty products must be returned to the place of purchase. Refunds or replacement is at the discretion of the store.

### The following conditions apply:

- The product must be returned to the retailer with proof of purchase.
- The product must be installed and used in accordance with the instructions contained in this instruction guide.
- It must be used only for domestic purposes.
- It does not cover wear and tear, damage, misuse or consumable parts.
- Swan Products Ltd has limited liability for incidental or consequential loss or damage.
- This guarantee is valid in the UK and Eire Only.



## BS PLUG

The wires in the mains lead are coloured in accordance with the following code:

BLUE	NEUTRAL
BROWN	LIVE
GREEN/YELLOW	EARTH

As the colours of the wire in the mains lead of this appliance may not correspond with the colour markings identifying the terminals on your plug, proceed as follows:

The wire which is coloured BLUE must be connected to the terminal which is marked with the letter N or coloured black. The wire which is coloured BROWN must be connected to the terminal which is marked with the letter L or coloured red. The wire which is coloured GREEN/YELLOW must be connected to the terminal which is marked with the letter E or (earth symbol) and is coloured GREEN or GREEN/YELLOW.

**WARNING: THIS APPLIANCE MUST BE EARTHED**



## DISPOSAL OF UNIT



Appliances bearing the symbol shown here may not be disposed of in domestic rubbish. You are required to dispose of old electrical and electronic appliances like this separately. Please visit [www.recycle-more.co.uk](http://www.recycle-more.co.uk) or [www.recyclenow.co.uk](http://www.recyclenow.co.uk) for access to information about the recycling of electrical items. Please visit [www.weeeireland.ie](http://www.weeeireland.ie) for access to information about the recycling of electrical items purchased in Ireland. The WEEE directive, introduced in

August 2006, states that all electrical items must be recycled, rather than taken to landfill. Please arrange to take this appliance to your local Civic Amenity site for recycling, once it has reached the end of its life.



[www.swan-brand.co.uk](http://www.swan-brand.co.uk)



Scan this QR code  
to hear about  
our story



We love  
what we do



we're proud  
of our quality



Find us on Facebook

\* on selected products

Copyright © Swan Products Ltd.  
PO Box 3117, Stoke-on-Trent ST4 9GD