



Swan

designed for life



2.5L Fryer

Model: SD6080N

Help line

0333 220 6050

v1.3





IMPORTANT INFORMATION - RETAIN FOR FUTURE USE

When using any electrical appliance, basic safety precautions should always be followed including the following:

1. Always ensure that the voltage on the rating label corresponds to the mains voltage in your home
2. Incorrect operation and improper use can damage the appliance and cause injury to the user.
3. This appliance can be used by children aged from 8 years and above and persons with reduced physical, sensory or mental capabilities or lack of experience and knowledge if they have been given supervision or instruction concerning use of the appliance in a safe way and understand the hazards involved. children shall not play with the appliance.
4. Check the power cord and plug regularly for any damage. If the cord or the plug is damaged, it must be replaced by the manufacturer or qualified person in order to avoid an electrical hazard.
5. Do not use the appliance if it has been dropped or damaged in any way. In case of damage, take the unit in for examination and/or repair by an authorised service agent.
6. Never immerse the unit in water or any other liquid for cleaning purposes.
7. Remove the plug from the socket by gripping the plug. Do not pull on the cord to disconnect the appliance from the mains. Unplug the unit when not in use or before cleaning
8. The use of accessory attachments that are not recommended or supplied by the manufacturer may result in injuries, fire or electric shock.





IMPORTANT INFORMATION - RETAIN FOR FUTURE USE

1. Do not let the cord hang over the edge of a table or counter. Ensure that the cord is not in a position where it can be pulled on inadvertently.
2. Do not allow the cord to touch hot surfaces and do not place on or near a hot gas or electric burner or in a heated oven.
3. Do not use the appliance on a gas or electric cooking top or over or near an open flame.
4. Use of an extension cord with this appliance is not recommended. However, if it is necessary to use an extension lead, ensure that the lead is suited to the power consumption of the appliance to avoid overheating of extension cord, appliance or plug point. Do not place the extension cord in a position where it can be pulled on by children or animals or tripped over.
5. This appliance is not suitable for outdoor use. Do not use the appliance for anything other than its intended use.
6. Do not carry the appliance by the power cord.
7. Do not leave the appliance unattended during use.
8. Always operate the appliance on a smooth, even, stable surface. Do not place the unit on a hot surface.
9. The manufacture does not accept responsibility for any damage or injury caused by improper or incorrect use, or for repairs carried out by unauthorised personnel.
10. In case of technical problems, switch off the product and do not attempt to repair it yourself. Return the appliance to an authorised service facility for examination, adjustment or repair.





IMPORTANT INFORMATION - RETAIN FOR FUTURE USE

Always insist on the use of original spare parts.

Failure to comply with the above mentioned precautions and instructions, could affect the safe operation of this product

Your appliance must never be switched on through an external timer or any kind of separate remote control system

DO NOT USE SOLID FAT OR LARD IN THIS PRODUCT

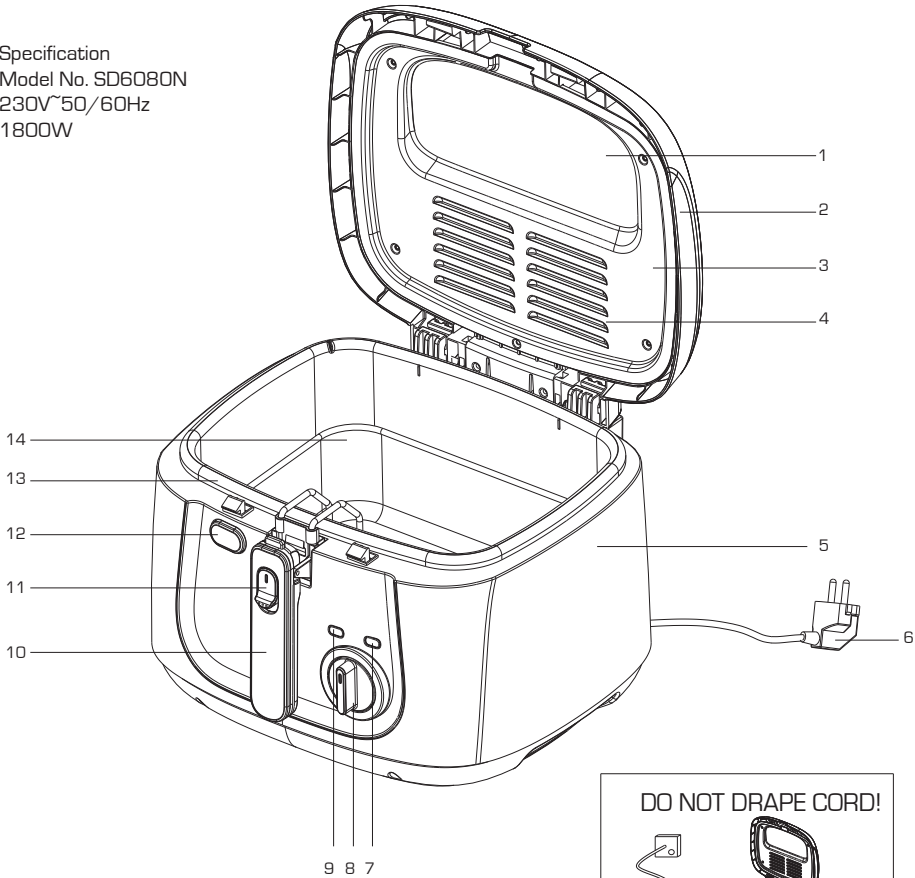
This appliance is intended to be used in household and similar applications such as: staff kitchen areas, in shops, offices and other working environments; farm houses; by clients in hotels, motels and other residential type environments; bed and breakfast type environments.



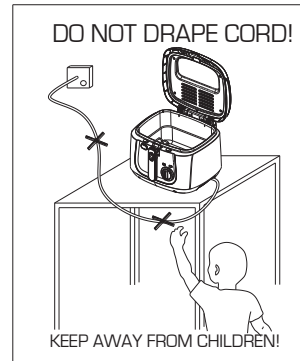


PARTS

Specification
 Model No. SD6080N
 230V~50/60Hz
 1800W



- | | |
|-------------------|--------------------|
| 1. VIEWING WINDOW | 8. THERMOSTAT KNOB |
| 2. LID | 9. POWER LIGHT |
| 3. INNER COVER | 10. BASKET HANDLE |
| 4. FILTER SYSTEM | 11. HANDLE BUTTON |
| 5. HOUSING | 12. OPEN BUTTON |
| 6. POWER CORD | 13. OIL POT |
| 7. WORKING LIGHT | 14. FRY BASKET |



CAUTION: SURFACES BECOME HOT DURING USE

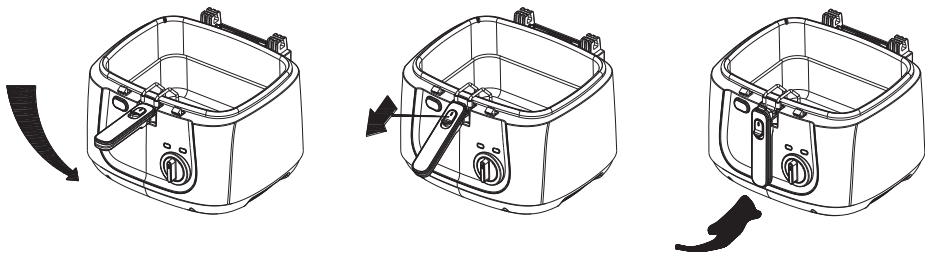




HOW TO USE

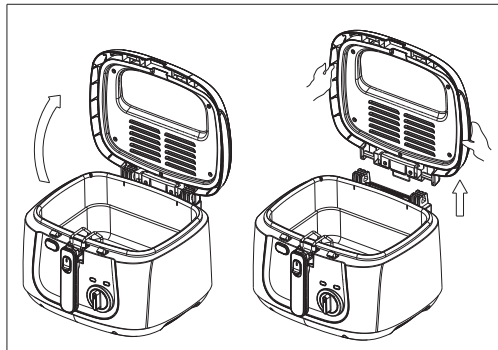
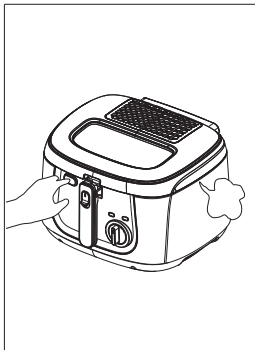
Before first use please ensure all packaging is removed. Wash the basket in warm soapy water. Rinse and dry thoroughly

Press the lid open button and the lid will pop up. To remove the basket, pull the handle button toward you and lift the handle. The basket will lift. Pull straight upward to remove the basket completely. It is best to become familiar with this mechanism before using the product



TO REMOVE THE LID

To remove the lid, lift the lid to a vertical position and pull it upwards.



Note: It is useful to be able to remove the lid, as it can be put in the dishwasher to clean the metal mesh filter. We recommend doing this every 30 fries or so. Please ensure the lids is WELL drained of water and dried thoroughly before refitting to the fryer.





HOW TO USE

1. Pour between 2-2.5 litres of oil into the fryer. The level of oil must be between the MAX and MIN level marked on the surface of the pot.
2. Use only good quality vegetable oil or sunflower oil for deep frying. Olive oil or solid fat is not to be used
3. Smear the viewing window with a little oil
4. Plug in the mains and set thermostat to the required temperature [see the reference menu on product] The temperature light will go out when the set temperature is reached
5. Add food (as dry as possible) into the basket first. Do not overload basket. Place food of uniform size into the basket so that it cooks evenly. Be sure to dry all food before frying
6. Place the basket back into the fryer and close the lid. Turn the BASKET knob down to have basket and food immersed in the oil. Do not add water or wet items to the cooking oil, even small amounts of water will cause oil to spatter. After cooking, lift the basket out of the oil to drain. Push the LID-RELEASE BUTTON to open the lid.

HINTS

Use only metal kitchen utensils with insulated handles in hot oil.

Care should be taken when frying, especially when children are nearby.

Take into account the food type and select the temperature for frying. As a general guide, food that has been pre-cooked in some way needs a higher temperature and less cooking time than raw food.

CLEANING

- Disconnect from power supply before cleaning.
- Allow the oil to cool completely. Oil or fat retains its temperature for a long time after use
- Do not attempt to move or carry the fryer while it is still hot.
- Oil can be reused several times. However, sunflower oil will need to be changed more frequently than vegetable oil.
- Oil should be filtered after use each use for maximum oil life.
- After draining the oil, the fryer should be wiped out with absorbent paper then with damp cloth and a little detergent and finally cleaned with a dry cloth. The interior of the fryer has a non-stick surface. To avoid damage, no abrasives or sharp instruments should be used.
- The exterior can be cleaned with damp cloth, don't use abrasives or scouring pads.
- The basket can be washed in warm soapy water.
- The whole lid can be removed and put in the dishwasher to clean the metal mesh filter. Ensure it is well drained and dry before refitting to fryer



WARRANTY

This product is guaranteed for 2 years from the date of original purchase. If any defect arises due to faulty materials or workmanship the faulty products must be returned to the place of purchase. Refunds or replacement is at the discretion of the store.

The following conditions apply:

- The product must be returned to the retailer with proof of purchase.
- The product must be installed and used in accordance with the instructions contained in this instruction guide.
- It must be used only for domestic purposes.
- It does not cover wear and tear, damage, misuse or consumable parts.
- Swan Products Ltd has limited liability for incidental or consequential loss or damage.
- This guarantee is valid in the UK and Eire Only.



BS PLUG

The wires in the mains lead are coloured in accordance with the following code:

BLUE	NEUTRAL
BROWN	LIVE
GREEN/YELLOW	EARTH

As the colours of the wire in the mains lead of this appliance may not correspond with the colour markings identifying the terminals on your plug, proceed as follows:

The wire which is coloured BLUE must be connected to the terminal which is marked with the letter N or coloured black. The wire which is coloured BROWN must be connected to the terminal which is marked with the letter L or coloured red. The wire which is coloured GREEN/YELLOW must be connected to the terminal which is marked with the letter E or [earth symbol] and is coloured GREEN or GREEN/YELLOW.

WARNING: THIS APPLIANCE MUST BE EARTHED



DISPOSAL OF UNIT



Appliances bearing the symbol shown here may not be disposed of in domestic rubbish. You are required to dispose of old electrical and electronic appliances like this separately. Please visit www.recycle-more.co.uk or www.recyclenow.co.uk for access to information about the recycling of electrical items. Please visit www.weeireland.ie for access to information about the recycling of electrical items purchased in Ireland. The WEEE directive, introduced in August 2006, states that all electrical items must be recycled, rather than taken to landfill. Please arrange to take this appliance to your local Civic Amenity site for recycling, once it has reached the end of its life.



SWAN BRAND HERITAGE



Did you know...

In 1933 Swan were the first to develop an electric heating element that could be immersed in water. This led to the Swan kettle range that could boil up to six pints of water in just over nine minutes - pretty hot for the time! These days it takes about two minutes for a Swan kettle to boil.





NOTES





NOTES





www.swan-brand.co.uk



Scan this QR code
to hear about
our story



We love
what we do



we're proud
of our quality



Find us on Facebook

* on selected products

Copyright © Swan Products Ltd.
PO Box 3117, Stoke-on-Trent ST4 9GD

