



eureka | Swan

Help line: 0333 220 6050

Extra Long Hose
Extra Long Cord
Palmator Tool
Cyclonic Technology
4 Ultra Lightweight
+ 2 Lite Dust Capacity

TURBO POWER UPRIGHT VACUUM

Model: SC15830N

TURBO POWER PET

Model: SC15832N

TURBO POWER PET EXTEND

Model: SC15834N

v1.0





Follow caution information wherever you see this symbol.

When using an electrical appliance, basic precautions should always be followed, including the following:

READ ALL INSTRUCTIONS BEFORE USING THIS VACUUM CLEANER

Failure to follow the warnings and instructions may result in electric shock, fire and/or serious injury.

WARNING

This vacuum cleaner is intended for household use only and NOT for commercial or industrial use.

- Only use the vacuum cleaner indoors on dry surfaces and keep the area you're cleaning well lit.
- Keep fingers, hair and loose clothing away from moving parts and openings whilst using the vacuum cleaner.
- Use only Eureka | Swan recommended tools and accessories with this vacuum cleaner.
- Don't use the vacuum cleaner if it has been dropped, damaged or left outdoors.
- Don't run over the power cord or use the vacuum cleaner if the power cord or plug is damaged.
- Don't handle the plug or use the vacuum cleaner with wet hands.
- Don't pull or carry the vacuum cleaner by the power cord.
- Don't use the power cord as a handle, pull the power cord around corners, sharp edges or close a door over the power cord.
- Don't unplug vacuum cleaner by pulling on the power cord.
- Turn off all controls on the vacuum cleaner before disconnecting or connecting the power cord.
- Always make sure the filters are in place before use.
- Always switch off the vacuum cleaner before disconnecting or connecting the hose and accessories.
- Keep all openings clear and free from debris as this may affect the air flow/suction.
- Always replace the fuse in the plug with a British 13 amp fuse.

- Always protect the power cable from heated surfaces and open flames.
- This appliance can be used by children aged from 8 years and above and persons with reduced physical, sensory or mental capabilities or lack of experience and knowledge if they have been given supervision or instruction concerning use of the vacuum cleaner in a safe way and understand the hazards involved. Children shall not play with the vacuum cleaner. Cleaning and user maintenance shall not be made by children without supervision.
- Don't vacuum up any flammable or combustible materials (lighter fluid, petrol, kerosene etc.) or use the vacuum cleaner in an area with explosive vapours or liquid.
- Don't vacuum up hot coals, cigarette butts, matches or smoking hot, burning items or use in an area where there may be harmful fluids (chlorine, bleach, and ammonia drain cleaner).
- Don't attempt to remove blockages with sharp objects as this may cause damage to the vacuum cleaner.
- Don't vacuum up hard or sharp objects such as glass, nails, screws or coins etc.
- Don't use the vacuum cleaner with incorrect voltage as this may result in damage or injury to the user. The correct voltage is listed on the rating label.
- Take extra care when positioning and using the vacuum cleaner on the stairs.
- Use only CE marked 13 amp extension cords, non-approved extension cords may overheat. Care should be taken to arrange the extension cord as it can be a trip hazard.
- Store the vacuum cleaner in a cool, dry area. If filters have been cleaned as per user guide instructions ensure they are thoroughly dry before storing away.

Please keep instructions for future reference



eureka | Swan

UNPACKING

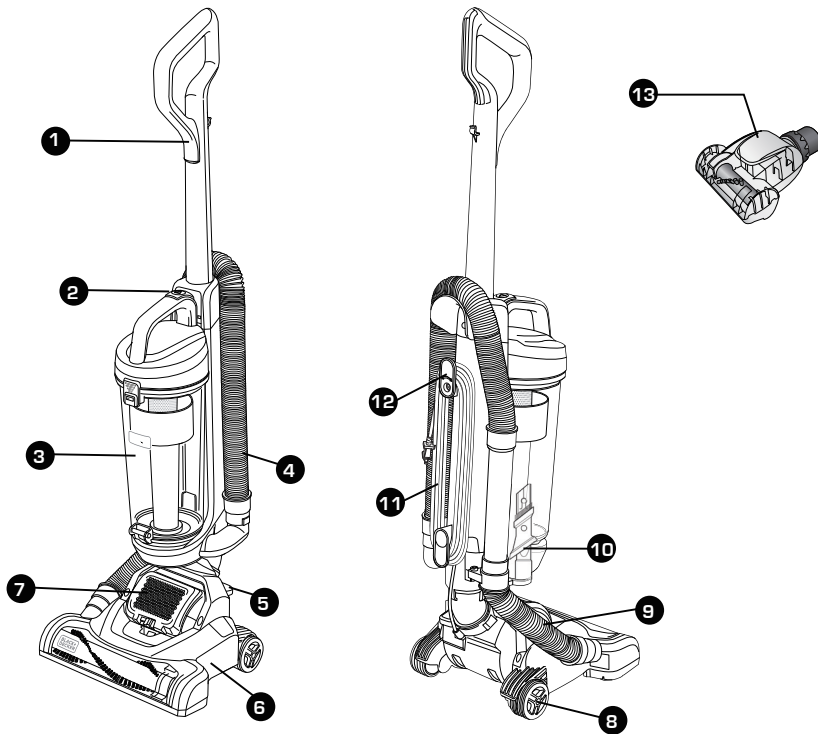
Carefully unpack and inspect your new Eureka | Swan vacuum cleaner for shipping damage.

Each unit is tested and thoroughly inspected before shipping. For instructions regarding any shipping damage, call the Eureka | Swan Customer Service HELPLINE at 0333 220 6050 immediately.



Make sure your vacuum cleaner is switched off and unplugged when cleaning, removing or refitting parts.





- 1. Handle
- 2. Dust tank release
- 3. Dust tank
- 4. Handle hose
- 5. Power on/off
- 6. Nozzle
- 7. Air outlet

- 8. Wheel
- 9. Connecting hose
- 10. 3-in-1 crevice tool accessory
- 11. Power cord
- 12. Power cord wrap
- 13. Turbo Pet Tool accessory
SC15832N, SC15834N only

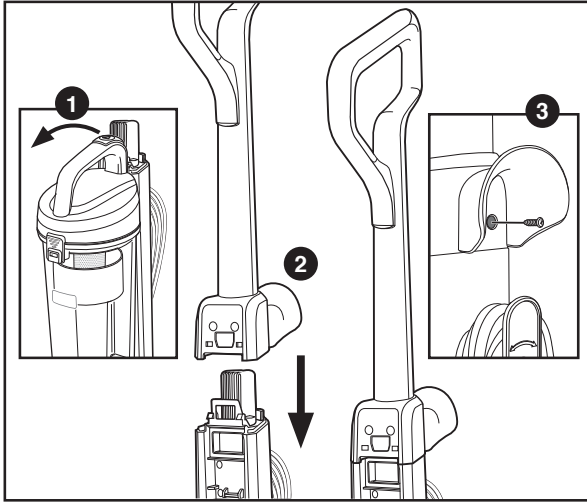
The pet hair cleaning tool [13] is for use when vacuuming pet hair and/or ground-in debris from carpeted or upholstery surfaces.

! WARNING

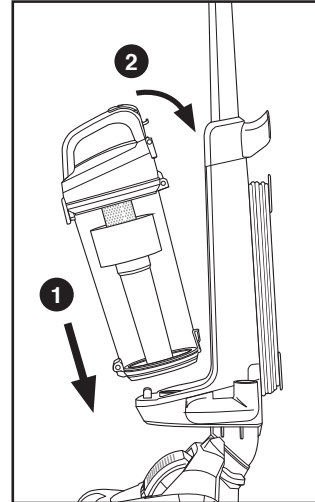
Injury to pets. Do not use pet hair cleaning tool directly on animals.

⚠ WARNING:

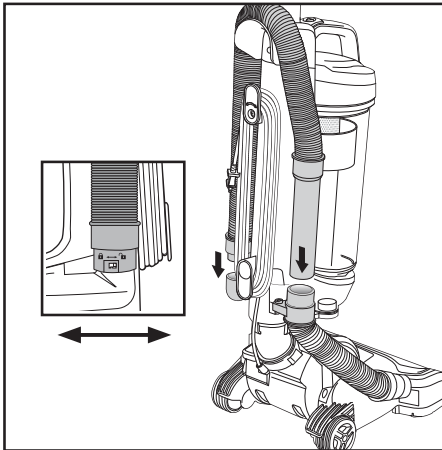
DO NOT plug in your vacuum cleaner until you have completely assembled it per the following instructions and are familiar with all instructions and operation procedures.



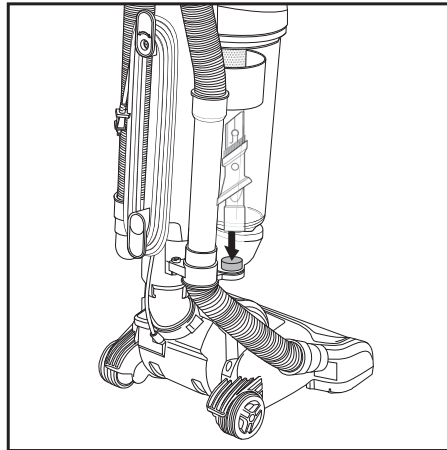
Remove the dust tank before installing handle. Insert the handle into the vacuum body, then rotate the screw into body as shown. **IMPORTANT:** The handle must be inserted first before replacing dust tank



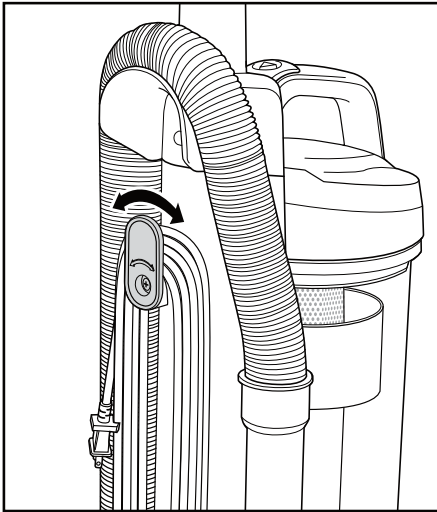
Place the dust tank back onto the machine and push until it clicks into place.



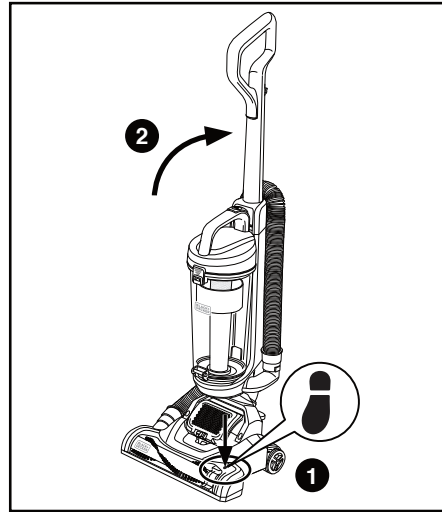
Insert the handle hose end into the connector hose and rotate clockwise to join. Then insert the handle into the other hose of the body.



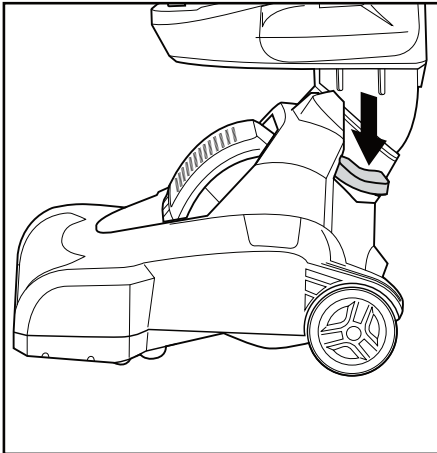
Insert the 3-in-1 crevice tool accessory into the on-board storage reservoir, as shown.



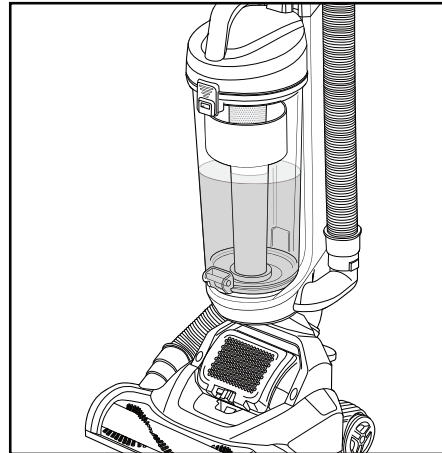
Twist the quick release cord hook to release the power cord.



Step on the brush cover and pull back on handle, to engage for operation.

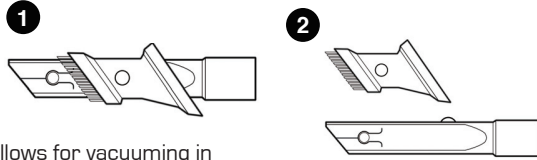


Plug in your machine and push ON/OFF button to switch ON/OFF.



To maintain optimal performance, please empty dust tank when debris reaches MAX FILL line.

**3-in-1 Crevice Tool
Accessory**

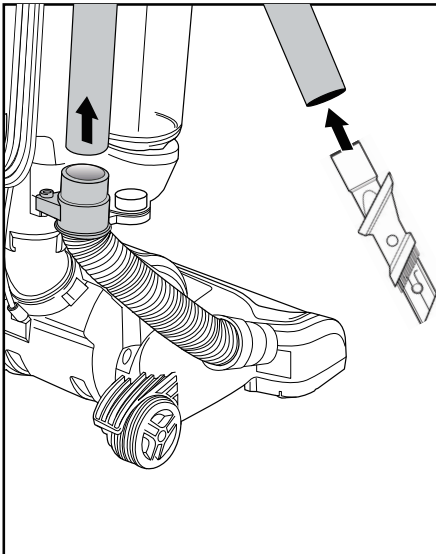
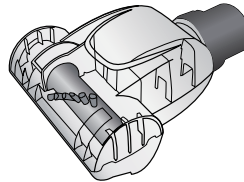


The 3-in-1 crevice tool with brush allows for vacuuming in narrow and hard-to-reach places.

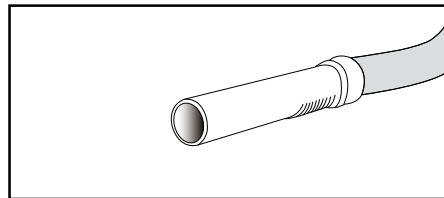
Turbo Pet Tool

SC15832N, SC15834N models only

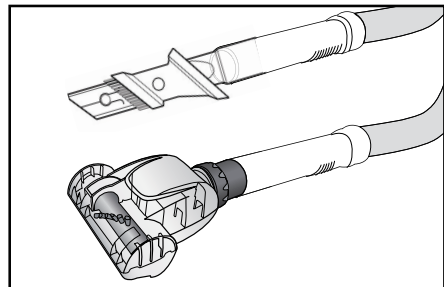
For vacuuming pet hair from surfaces



Remove hose handle and 3-in-1 crevice tool from the machine



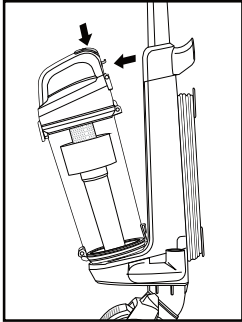
The handle hose can be used immediately.



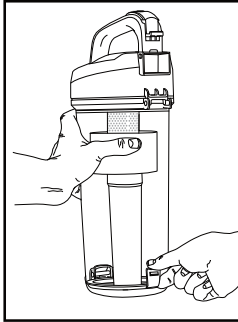
At the same time, you can insert the 3-in-1 crevice tool/turbo pet tool into the hose handle to extend the distance.

⚠ WARNING: Turn off and unplug vacuum cleaner before performing maintenance to the vacuum cleaner.

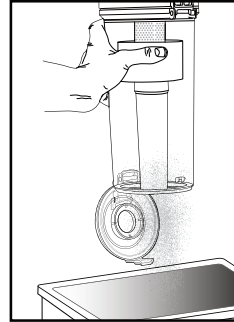
Emptying and cleaning the dust tank



Press dust tank release button to remove the dust tank.



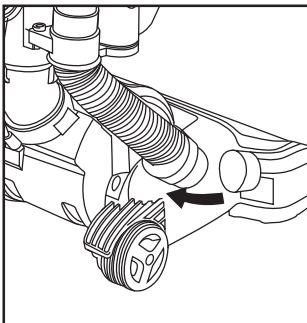
Hold dust tank over rubbish bin and unclip the lock on the bottom of the tank, allowing the dust to empty.



Close the base of the dust tank align the tank base back onto the machine and push until it clicks back into place.

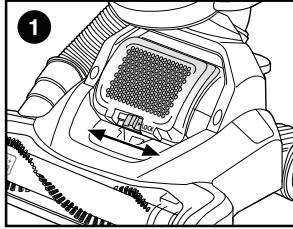
⚠ WARNING

If the filter or hose is clogged, the motor may shut down in order to protect itself from overheating. If this occurs, unplug the vacuum, clean the filter and inspect the hoses and canister for clogging. Allow 3-4 hours for the unit to fully cool down before resuming use.

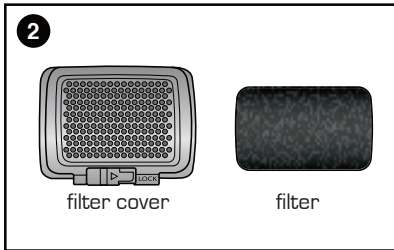


Inspect the lower tube and nozzle and remove the dirt and debris.

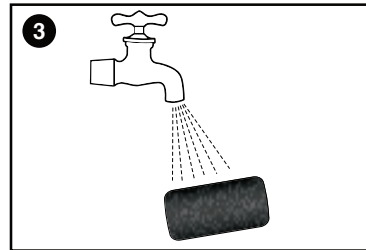
⚠ WARNING: Turn off and unplug vacuum cleaner before performing maintenance to the vacuum cleaner.



Locate and unlock filter cover as shown. Push left to un-lock, right to lock

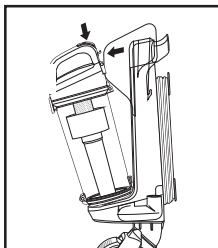


Remove filter cover with filter. Wipe with cloth over rubbish bin, removing dirt and debris.

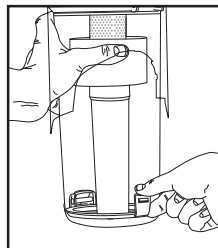


Wash with water every 3 months, allow at least 24 hours to dry and make sure it is dry thoroughly before re-using

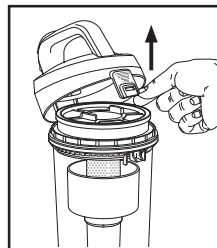
DUST TANK



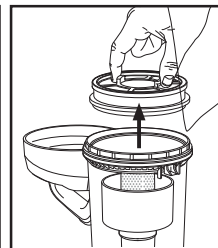
1. Remove the dust tank.



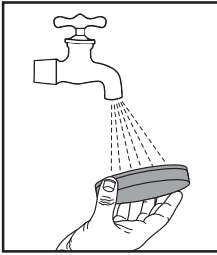
2. Push the release button, open the dust tank and clean all parts of the dust tank



3. Open the dust tank filter lid located on top of the tank



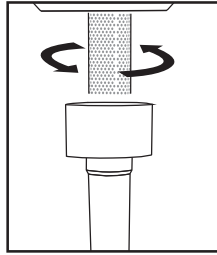
4. Remove the dust tank foam filter.



5. Hand wash the foam filter..



6. Allow filter to dry before putting back into vacuum cleaner



7. Twist filter assembly anti-clockwise to remove for cleaning dirt and debris as needed.

DO NOT operate without filter installed

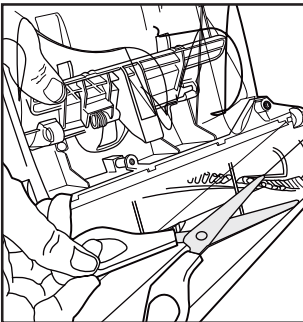
DO NOT wash dust tank in the dish washer

DO NOT install filter if it is damp

⚠ CAUTION:

Do not turn the appliance on when the dust tank is removed. In order to keep the suction force optimised, the dust tank and filters must be cleaned regularly.

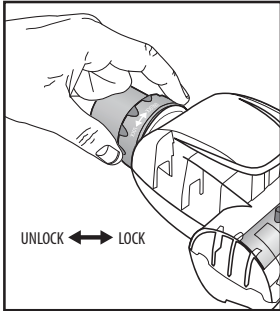
⚠ **WARNING:** Turn off and unplug vacuum cleaner before performing maintenance to the vacuum cleaner.



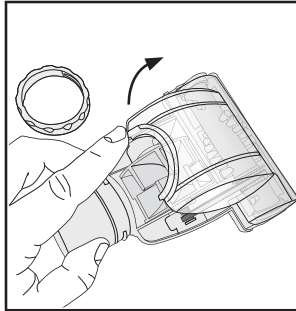
CLEANING BRUSH ROLL

Carefully remove any string, hair or debris located on the brush roll.

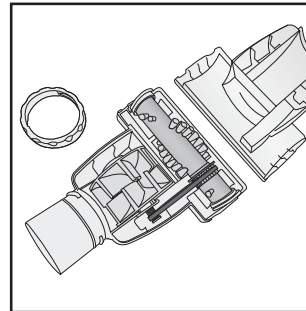
You can use a tool such as a small knife or scissors to remove and cut any hair or string.

Pet Tool (SC15832N, SC15834N only)

1. To release the pet tool plastic upper cap for internal cleaning, rotate, unlock and remove the plastic locking ring as shown.



2. Pull up on the plastic upper cap of the pet tool as shown.



3. Remove plastic upper cap and clean, removing pet hair and debris.

- Do not clean the vacuum cleaner, components or accessories using petrol or any other flammable liquid or solvents, etc.
- Clean only the outside of the vacuum cleaner.
- Use only a moist cloth and mild detergent for cleaning the vacuum cleaner, components and accessories.
- After cleaning, wipe off the moisture on vacuum cleaner, components and accessories with a dry cloth.
- Do Not place accessories, tools or components in a dishwasher.

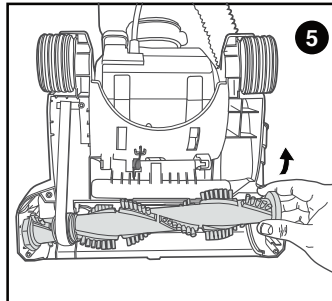
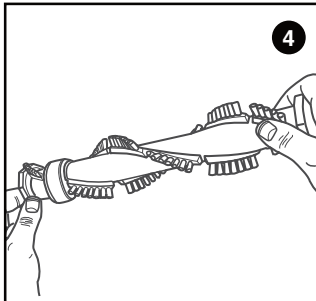
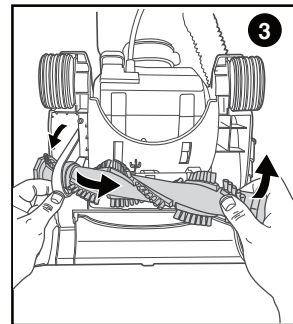
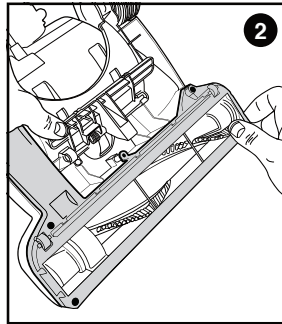
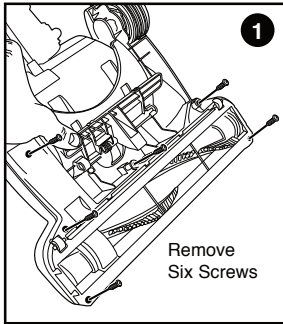
Bush Roll

You should check your cleaner's brush roll and drive belt regularly for wear or damage.

You should also clean the brush and brush ends by removing string, hair and carpet fibres.

These can wrap around the brush and hamper its ability to effectively clean your carpet. Also remove any debris that has accumulated under the brush cover.

1. Turn off vacuum and unplug from electrical outlet.
2. Place vacuum upside down with brush roll facing upwards.
3. Remove the six screws as shown with a small Phillips screwdriver (see images below).
4. Lift off brush cover.
5. Grasp floor brush at both ends and remove by lifting out.
6. Clean string, hair and other debris from floor brush, motor pulley, and drive belt.
7. Check floor brush for worn areas and replace if needed.
8. Check air passageway for obstructions. Remove debris from this area.
9. When finished cleaning, reposition floor brush and drive belt. Then replace the brush cover and re-install the six screws.
10. Turn floor brush by hand several times in the direction of the motor pulley. If properly installed, the drive belt will align itself on floor brush.

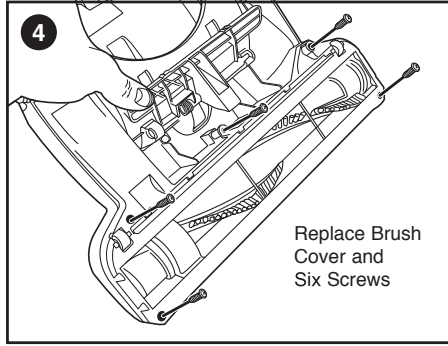
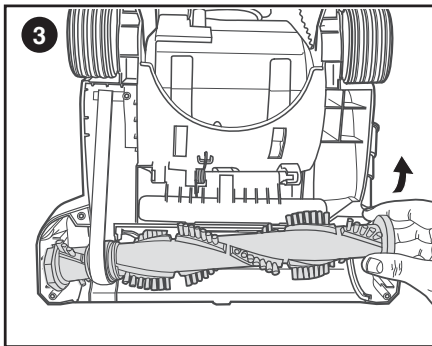
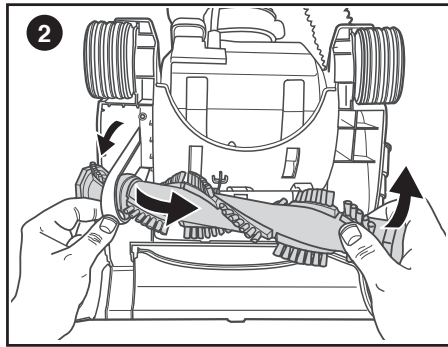
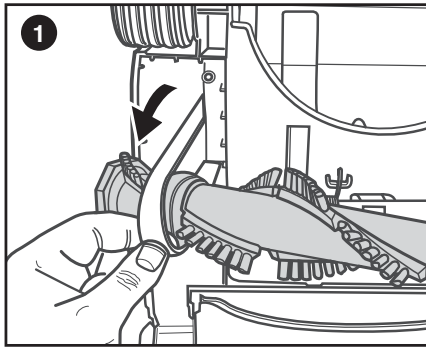


Replacing The Drive Belt

Make sure the vacuum is switched off and unplugged first

Check the drive belt carefully for wear, cuts and stressed areas. If the drive belt appears worn, you will need to replace it. To remove the drive belt, read the instructions and follow the drawings below:

1. Grasp the old drive belt and remove from motor shaft. Discard old drive belt.
2. Loop new drive belt over motor shaft and stretch other end over floor brush in the space provided between the bristles.
3. Place ends of floor brush down into slots on sides as shown.
4. Turn floor brush by hand several times in the direction of the motor shaft.
5. If properly installed, drive belt will align itself on floor brush.
6. Replace brush cover and six screws.



Vacuum cleaner won't run	Remedies
<ol style="list-style-type: none"> 1. Vacuum cleaner not plugged in 2. Blown fuse/tripped breaker 	<ol style="list-style-type: none"> 1. Check plug/socket 2. Check fuse/breaker
Vacuum won't pick up dirt	Remedies
<ol style="list-style-type: none"> 1. Dust tank full 2. Filter is dirty 3. Hose not secure 4. Dust tank not in place 5. Vacuum path blocked 	<ol style="list-style-type: none"> 1. Empty dust tank 2. Check/remove debris or clean 3. Check hose is properly fitted 4. Make sure dust tank is fully inserted and release handle is fully pushed in 5. Visually check air passageway, hose inlet and hose for anything that might be obstructing the vacuum path. Remove blockage



Appliances bearing the symbol shown here may not be disposed of in domestic rubbish. You are required to dispose of old electrical and electronic appliances like this separately. Please visit www.recycle-more.co.uk or www.recyclenow.co.uk for access to information about the recycling of electrical items. Please visit www.weeeiireland.ie for access to information about the recycling of electrical items purchased in Ireland. The WEEE directive, introduced in August 2006, states that all electrical items must be recycled, rather than taken to landfill. Please arrange to take this appliance to your local Civic Amenity site for recycling, once it has reached the end of its life.

SC15830N

Performance

- Dust tank capacity: 2 Litres
- Energy class: A ++/D/E/E
- Motor power: 400 Watts
- Sound level: 80dBA

Accessories

- 1 x 3 in 1 brush
- 1 x 2m hose

Weight & Dimensions

- Net weight: 4.1kg
- Power cord length: 6.5 Metres
-

SC15834N

Performance

- Dust tank capacity: 2 Litres
- Energy class: A ++/D/E/E
- Motor power: 400 Watts
- Sound level: 80dBA

Accessories

- 1 x Pet tool
- 1 x 3 in 1 brush
- 1 x 3m hose

Weight & Dimensions

- Net weight: 4.1kg
- Power cord length: 9.3 Metres

SC15832N

Performance

- Dust tank capacity: 2 Litres
- Energy class: A ++/D/E/E
- Motor power: 400 Watts
- Sound level: 80dBA

Accessories

- 1 x Pet tool
- 1 x 3 in 1 brush
- 1 x 2m hose

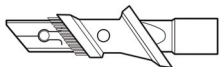
Weight & Dimensions

- Net weight: 4.1kg
- Power cord length: 6.5 Metres

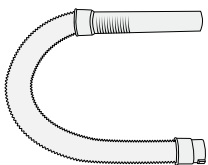




www.eureka-swan.co.uk



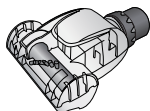
1. SC15834N-01 3-in-1 tool



2. SC15834N-02 2 Metre Hose



3. SC15834N-03 Brush roll



4. SC15834N-04 Pet tool



5. SC15834N-05 Cover filter



6. SC15843N-06 Foam filter





eureka | Swan

WARRANTY

This product is guaranteed for 2 years from the date of original purchase. If any defect arises due to faulty materials of workmanship the faulty products must be returned to the place of purchase. Refunds or replacement is at the discretion of the store.

The following conditions apply:

- The product must be returned to the retailer with proof of purchase.
- The product must be installed and used in accordance with the instructions contained in this instruction guide.
- It must be used only for domestic purposes.
- It does not cover wear and tear, damage, misuse or consumable parts.
- Swan Products Ltd has limited liability for incidental or consequential loss or damage.
- This guarantee is valid in the UK and Eire Only.









www.eureka-swan.co.uk



Scan this QR code
to hear about
our story



We love
what we do



we're proud
of our quality



Find us on Facebook

* on selected products

Copyright © Swan Products Ltd.
PO Box 3117, Stoke-on-Trent ST4 9GD

