

Swan

designed for life

al fresco

FREESTANDING

**PATIO
HEATER**



MODEL: SH16350N

Help line

0333 220 6050



We love
what we do



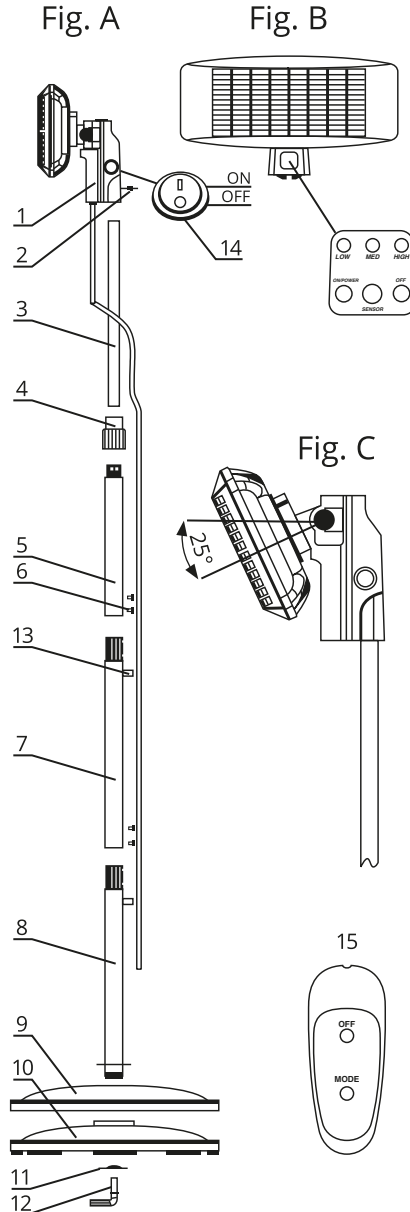
We're proud
of our quality

v1.0



PART LIST

1. Control box
2. Screw M6 x 12
3. Straight tube
4. Outer fastener
5. Upper tube
6. Screw M6 x 12
7. Mid tube
8. Lower tube
9. Base cover
10. Base
11. Washer
12. L Screw
13. Cord clip
14. Switch
15. Remote control



⚠ IMPORTANT!
THIS HEATER IS
FOR OUTDOOR
USE ONLY!



IMPORTANT INFORMATION – RETAIN FOR FUTURE USE

Caution! When using any electrical appliance, basic safety precautions should always be followed including the following:

- Children aged between 3 years and 8 years shall only switch on/off the appliance provided that it has been placed or installed in its intended normal operating position and they have been given supervision or instruction concerning use of the appliance in a safe way and understand the hazards involved. Children aged between 3 and 8 years shall not plug in, regulate or clean the appliance or perform user maintenance.
- **CAUTION!** Some parts of this product can become very hot and cause burns. Particular attention has to be given where children and vulnerable people are present.
- The heater must not be located immediately below a socket-outlet.
- Do not use this heater with a programmer, timer or any other device that switches the heater on automatically, since a fire risk exists if the heater is covered or positioned incorrectly.
- Do not use this heater in the immediate surroundings of a bath, a shower or a swimming pool.
- Do not place the unit close to curtain and/or other flammable objects. Otherwise there will be a danger of catching fire.
- Do not cover the unit with anything during operation or shortly after it has been shut down.
- Do not wrap the power supply cord around the unit.
- Do not use this unit as a sauna heater.
- Do not use this unit as a room heater, a clothes dryer, as a greenhouse heater or animal heater.
- Do not use this unit in place of animal propagating and raising.
- Do not immerse this unit into water for cleaning.
- The unit must be placed with the clearance of 150cm at least to the wall.
- The unit must be securely placed on a horizontal and flat surface.



IMPORTANT INFORMATION – RETAIN FOR FUTURE USE

- The unit is at high temperature during operation. It keeps hot for a period after shut down. Potential danger would occur when touching it during this period.
- The unit must be handled with care, avoiding vibration or hitting.
- Locate the heater to avoid knocking it over or being walked into.
- When damaged, the unit must be repaired by a professional repairing team.
- If the supply cord is damaged, it must be replaced by the manufacturer, its service agent or similarly qualified persons in order to avoid a hazard.
- This appliance is not intended for use by persons (including children) with reduced physical, sensory or mental capabilities, or lack of experience and knowledge, unless they have been given supervision or instruction concerning use of the appliance by a person responsible for their safety.
- The unit is for household use only. Do not use on building sites, in greenhouses, barns or stables where there is flammable dust.
- The head of the unit is at high temperature during operation. Unplug the unit and wait until it's cool before cleaning.
- The unit should be plugged into a socket, which is easily visible and reachable.

DO NOT USE THIS HEATER INDOORS.



TECHNICAL INFORMATION

Input Voltage:	240V AC
Frequency:	50/60Hz
Maximum Power:	2000 Watts



Rated IR24

Appliance must be earthed



PREPARATION

1. A cross head screw driver is required for installation.
2. Read this instruction manual carefully before installation and use. Keep this instruction manual in a proper and safe place for future use in case needed.



ASSEMBLY

1. As shown in Fig. A, put the Lower Tube (#8) through the hole of the Base Cover (#9) and Base (#10) making sure the end of the Lower Tube with welded plate is downward, and the extra tongue is located in the sink of the base. Fix the Lower Tube and Base together with the Washer (#10) & the L Screw (#11).
2. As shown in Fig. A, Install the Middle Tube (#8) on top of the Lower Tube. Pull out the Straight Tube (#5) upward from inside of the Upper Tube (#5). Screw the Outer Fastener (#4) clockwise to lock it. Then install the Upper Tube on the Mid Tube (#7).
3. As shown in Fig. A, Insert the Straight Tube (#3) into the hole on bottom of the Control Box (#1). Then fix them together with the Screws M6 x 12 (#2).
4. As shown in Fig. A, Turn the Outer Fastener (#4) counter-clockwise and adjust the unit to a desired height. Then fasten it clockwise.
5. As shown in Fig. A, clip the Power Supply Cord with the Cord Clips (#13).
6. As shown in Fig. C, the tilting of the heater is adjustable for 25°. Adjust it to a desired angle when necessary. Do not touch heat bars when adjusting.



APPROPRIATE LOCATION

This heater has a rating of IP24. This means it must be stored and used in a sheltered area away from rain and snow. When not in use it will stay looking great for longer if stored indoors or under a cover.



OPERATION

1. Plug the heater into a socket which is sheltered from rain or snow. The plug is not water resistant. **THE SOCKET MUST HAVE AN EFFECTIVE EARTH CONNECTION.**
2. If an extension lead is unavoidable, it must be of a suitable rating, fully unwound and kept away from rain or snow.
3. Switch it on by using either the buttons on the control panel of the heater or by using the remote control.
4. The heater will start on the low setting, each press of the On/Power button will cycle the heater onto the medium setting, high setting and then back to the low setting.
5. When the heater is no longer required, switch off, using the off button on the unit or the off button on the remote control and unplug the unit.



CLEANING

Wipe with a damp cloth only. **DO NOT** wet the heater section.



DISPOSAL OF APPLIANCES AND BATTERIES

Appliances bearing the symbol shown here may not be disposed of in domestic rubbish. You are required to dispose of old electrical and electronic appliances like this separately. Please visit www.recycle-more.co.uk or www.recyclenow.co.uk for access to information about the recycling of electrical items. Please visit www.weeeireland.ie for access to information about the recycling of electrical items purchased in Ireland. The WEEE directive, introduced in August 2006, states that all electrical items must be recycled, rather than taken to landfill.



Please arrange to take this appliance to your local Civic Amenity site for recycling, once it has reached the end of its life.



WARRANTY

This product is guaranteed for 2 years from the date of original purchase. If any defect arises due to faulty materials or workmanship the faulty products must be returned to the place of purchase. Refunds or replacement is at the discretion of the store.

The following conditions apply:

- The product must be returned to the retailer with proof of purchase.
- The product must be installed and used in accordance with the instructions contained in this instruction guide.
- It must be used only for domestic purposes.
- It does not cover wear and tear, damage, misuse or consumable parts.
- Swan Products Ltd has limited liability for incidental or consequential loss or damage.
- This guarantee is valid in the UK and Eire Only.

Swan

designed for life

al fresco

FREESTANDING

PATIO HEATER



Scan this QR code to
hear about our story



Follow us online



www.swan-brand.co.uk

Copyright © 2021

Swan Products Ltd. PO Box 3117, Stoke-on-Trent ST4 9GD