

eureka® | Swan

**ELEVATE**

LIGHTWEIGHT  
**CORDLESS**  
**VACUUM**

with 29.6V LITHIUM-ION BATTERY

**Flexiclean** easily  
reaches under furniture

Model: SC15828N

**User Manual**

[www.swan-brand.co.uk/support](http://www.swan-brand.co.uk/support)





# CONTENTS

Important safeguards	<b>04-07</b>
What's in the package?	<b>08</b>
Product overview	<b>09</b>
Easy assembly	<b>10</b>
How to use	<b>11-13</b>
Maintenance	<b>14-16</b>
Brush roll replacement	<b>17</b>
Problem solving	<b>18</b>
Disposal	<b>19</b>
Warranty	<b>19</b>
Replacement parts	<b>20</b>
Receipt section & notes	<b>21</b>

# IMPORTANT SAFEGUARDS

## READ ALL INSTRUCTIONS BEFORE USING THIS VACUUM CLEANER AND RETAIN FOR FUTURE REFERENCE

When using an electrical appliance, basic precautions should always be followed, including the following: Failure to follow the warnings and instructions may result in electric shock, fire and/or injury.

- Prevent unintentional starting. Ensure the switch is in the off-position before picking up or carrying the appliance. Carrying the appliance with your finger on the switch or energizing appliance that has the switch on invites accidents.
- **DANGER!** Do not touch nozzle when the vacuum cleaner is on.
- Do not put any object into openings. Do not use with any openings blocked; keep free of dust, lint, hair and anything that may reduce air flow.
- Do not use outdoors or on wet surfaces.
- Do not operate the vacuum cleaner or charger if it has been damaged in any way. If vacuum cleaner is not working as it should, has been dropped, damaged, left outdoors, or dropped into water, please visit: **[www.swan-brand.co.uk/support](http://www.swan-brand.co.uk/support)** for advice.
- To avoid excessive heat and damage to the unit or battery, the vacuum cleaner will not operate while charging.
- Do not allow to be used as a toy. Close attention is necessary when used by or near children.
- Use only as described in this manual. Use only manufacturer's recommended attachments.



# IMPORTANT SAFEGUARDS

- Recharge only with the charger specified by the manufacturer. A charger that is suitable for one type of battery pack may create a risk of fire when used with another battery pack.
- Do not pull or carry the charger by cord, use cord as a handle, close a door on cord, or pull cord around sharp edges or corners. Do not run appliance over cord. Keep cord away from heated surfaces.
- Do not use extension cords or outlets with inadequate current carrying capacity for the charger.
- Do not unplug by pulling on cord. To unplug, grasp the plug, not the cord.
- Do not handle charger or vacuum cleaner with wet hands.
- Use appliances only with specifically designated battery packs. Use of any other battery packs may create a risk of injury and fire.
- **DO NOT MODIFY, MANIPULATE OR INCINERATE BATTERIES. BATTERIES BECOME DANGEROUS AT HIGH TEMPERATURES.**
- Liquid ejected from the battery may cause irritation or burns. If the liquid gets on the skin, (1) seek medical attention, (2) wash quickly with soap and water, and (3) neutralize with a mild acid such as lemon juice or vinegar. If the liquid gets into the eyes, flush them immediately with clean water for a minimum of 10 minutes.
- When the battery pack is not in use, keep it away from other metal objects, like paper clips, coins, keys, nails, screws or other small metal objects, that can make a connection from one terminal to another.

# IMPORTANT SAFEGUARDS

Shorting the battery terminals together may cause burns or a fire.

- This product is functioning at a temperature range between 5°C - 40°C.
- Do not use a battery pack or appliance that is damaged or modified. Damaged or modified batteries may exhibit unpredictable behaviour resulting in fire, explosion or risk of injury.
- Do not expose a battery pack or appliance to fire or excessive temperature. Exposure to fire or temperature above 266°F may cause explosion.
- Follow all charging instructions and do not charge the battery pack or appliance outside of the temperature range specified in the instructions. Charging improperly or at temperatures outside of the specified range may damage the battery and increase the risk of fire.
- Have servicing performed by a qualified repair person using only identical replacement parts. This will ensure that the safety of the product is maintained.
- Do not modify or attempt to repair the appliance or the battery pack except as indicated in the instructions for use and care.
- The terminals on both the vacuum cleaner and battery should be kept free and clean of objects. Do not insert metal objects inside the terminals.
- This vacuum cleaner creates suction. Keep hair, loose clothing, fingers, and all parts of body away from openings and moving parts.
- Do not pick up anything that is burning or smoking, such as cigarettes, matches, or hot ashes.

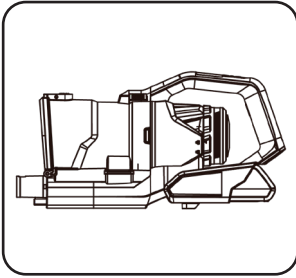
# IMPORTANT SAFEGUARDS

- Do not use without filters in place. Use extra care when cleaning stairs.
- Do not use to pick up flammable or combustible liquids, such as gasoline, or use in areas where they may be present.
- Store vacuum cleaner and charger indoors in a cool, dry area. To avoid electric shock and/or cleaner damage, do not expose to weather elements.
- Keep your work area well lit. Unplug electrical appliances before vacuuming them.
- Overcharging, short circuiting, reverse charging, modifying, manipulating or incinerating the cells and the batteries must be avoided.
- If a cell or a battery has leaked or vented, it should be replaced immediately using protective gloves.
- If and when necessary, these cells or batteries must be replaced with identical new ones from the same manufacturer. If a cell or a battery to be replaced is connected with other cells or batteries in series, it is recommended that the other cells or batteries be replaced with new ones at the same time.
- Reverse polarity installation of the cell or the battery in the end product must be avoided.
- Do not incinerate this appliance even if it is severely damaged.

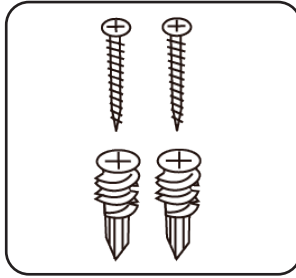
**RISK OF INJURY. BRUSH MAY START UNEXPECTEDLY. DISCONNECT MOTORIZED FLOOR NOZZLE BEFORE CLEANING OR SERVICING.**

**Save these instructions. House hold use only.**

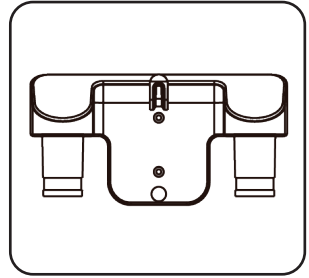
# WHAT'S IN THE PACKAGE?



Hand vacuum



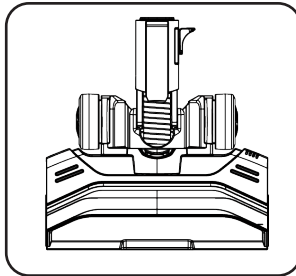
2 Screws &  
drywall anchors



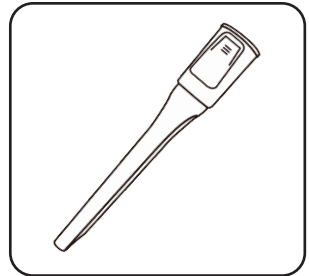
Wall mount



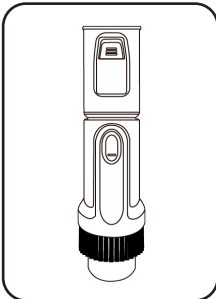
Important  
safeguards



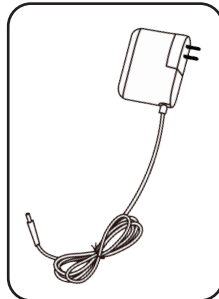
Motorized  
floor nozzle



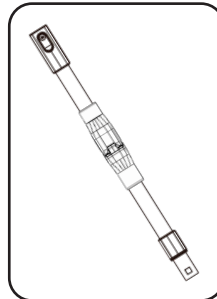
Crevice tool



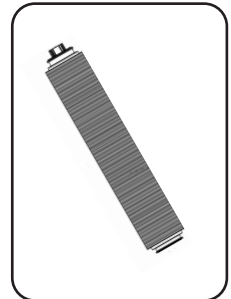
2-in-1  
Upholstery tool



Charger



Flexiclean pole



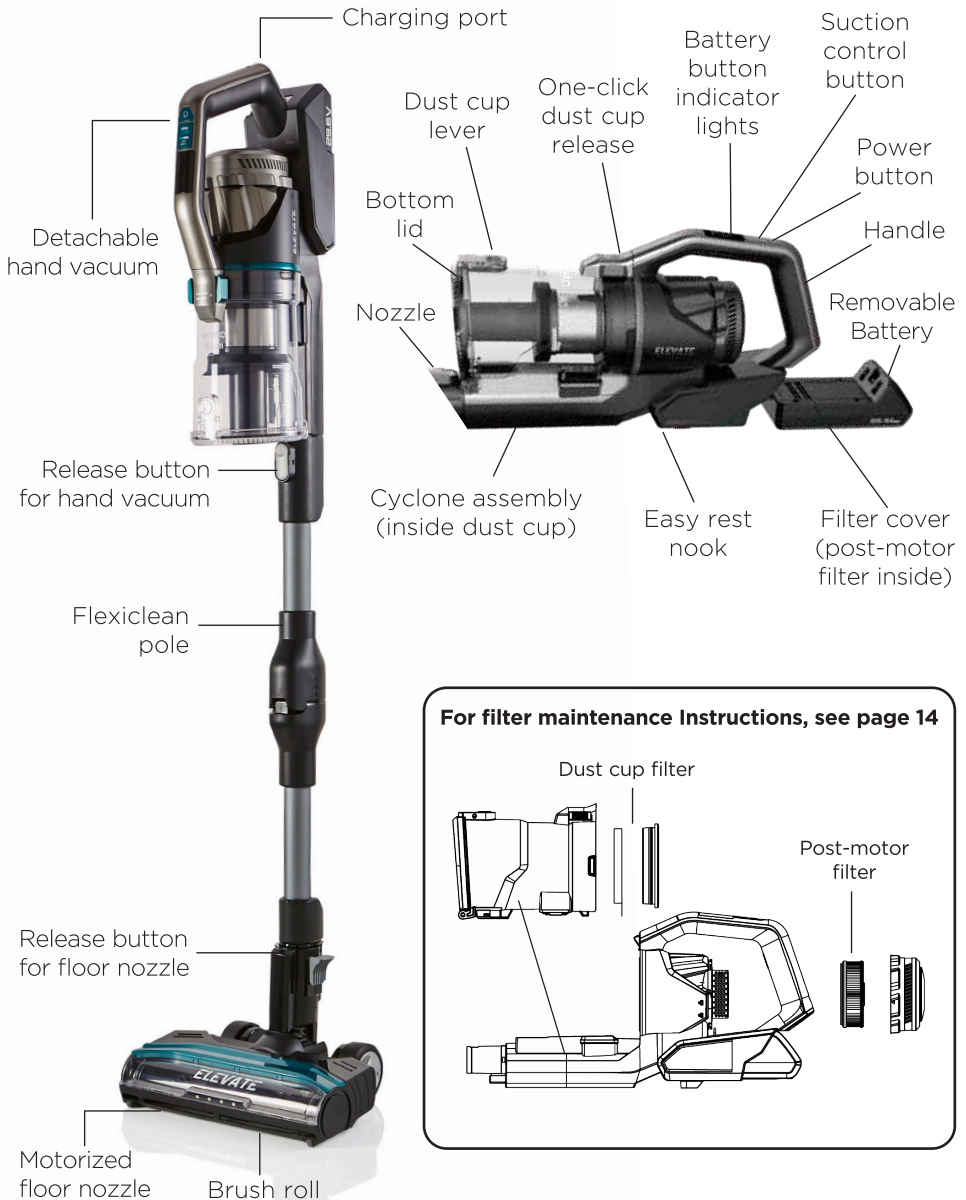
Nylon woven  
brush roll

**Please note:** the bristle brush-roll comes pre-assembled within the floor nozzle. The nylon woven brush roll is an additional part supplied in the box with the rest of the attachments.

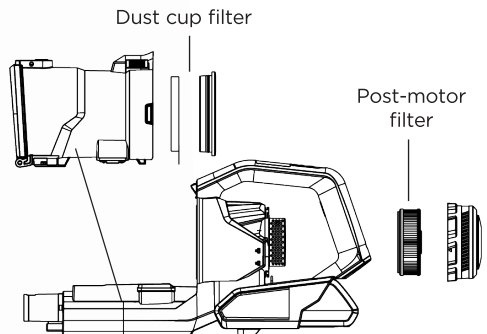
# PRODUCT OVERVIEW

## Cordless vacuum cleaner

## Hand vacuum



**For filter maintenance instructions, see page 14**



# EASY ASSEMBLY

## Easy assembly

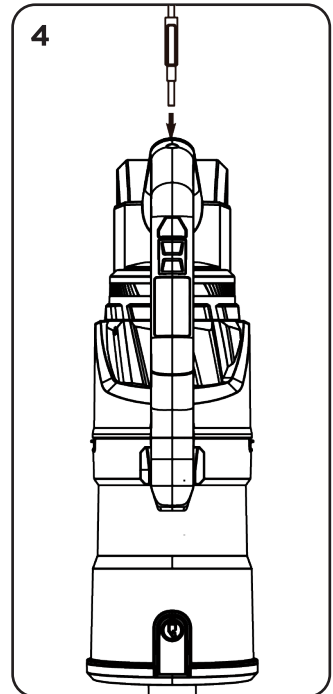
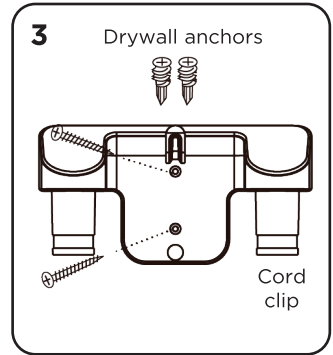
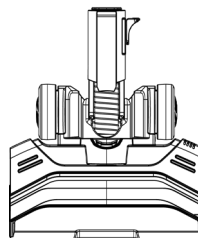
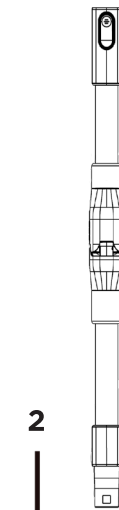
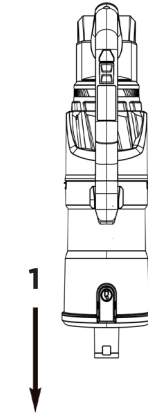
1. Slide wand onto hand vacuum until it clicks (Fig. 1).
2. Push wand into motorised floor nozzle until it clicks (Fig. 2).

## How to install wall mount

- Choose location near power outlet. Locate point high enough on wall to allow wand and motorized floor nozzle to hang freely.
- Place mount against wall and use pencil to mark drill holes.
- Drill holes (with 1/4" bit) and insert drywall anchors. Insert screws through holes on mount and tighten until firmly attached (Fig. 3).

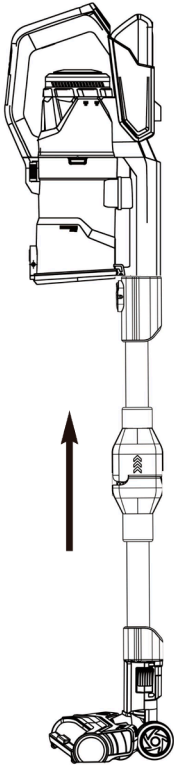
## How to charge battery and store accessories

- Place assembled vacuum cleaner on wall mount.
- Plug charger into power outlet and then into charger port on handle (Fig. 4).
- Loop charger cord into clips on sides of wall mount.
- Battery charge level will show on the circle in the centre of the LED display on the handle. Lighted segments of the circle will decrease in a clockwise direction as the battery charge level goes down.
- Indicator lights stop blinking when fully charged.
- Charge battery fully before using for the first time. This may take up to six hours.

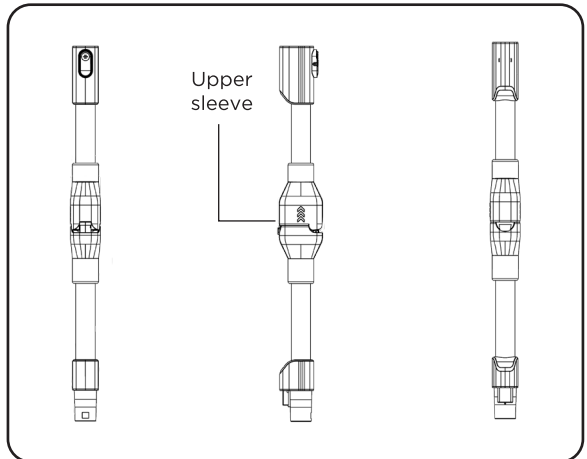
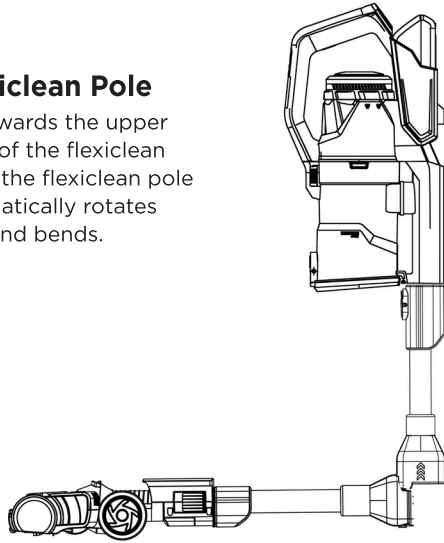




# HOW TO USE



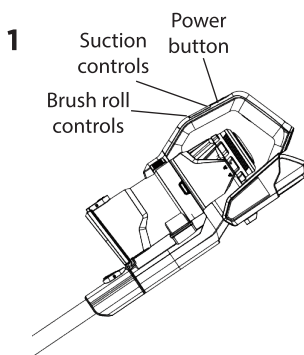
**Flexiclean Pole**  
Pull upwards the upper sleeve of the flexiclean pole, and the flexiclean pole automatically rotates and bends.



# HOW TO USE

## How to use cleaner for cleaning floors

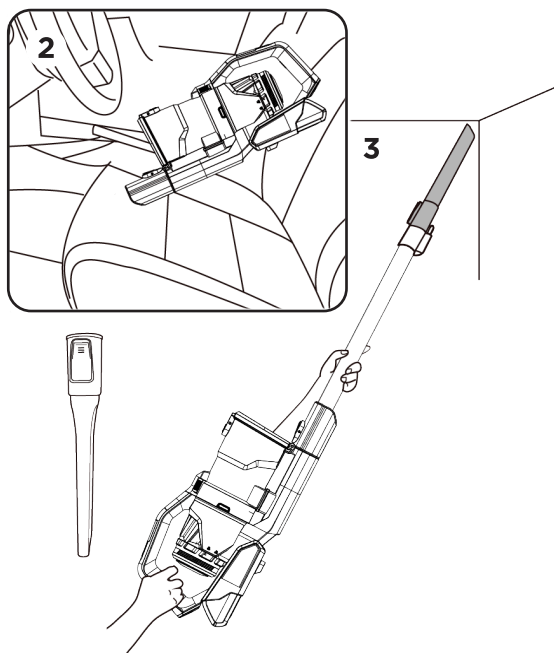
1. Click power button once to start (Fig 1). Vacuum starts on last suction and brush roll mode used. Use Low/High suction control button and Hard Floor/Carpet (brush roll off/on) buttons to optimize your cleaning depending on surface.
2. Using motorized floor nozzle, glide back and forth on area to be cleaned. Avoid oversized or sharp items (such as screws) with cleaner.
3. Twist wrist to engage swivel function.
4. When done, click power button once to stop motor.



## How to use hand vacuum and accessories

The hand vacuum can be used with or without tools.

- To use without tools, press release button and remove wand. Collect debris directly with hand vacuum nozzle (Fig. 2).
- To use tools with wand, press release button to remove motorized floor nozzle. Slide tool onto end of wand until it clicks (Fig. 3).
- To use tools with hand vacuum only, press release button to remove wand. Slide tool onto hand vacuum until it clicks.



### Crevice tool:

Cleans hard-to-reach areas such as corners, skirting boards, dryer vents, chairs and sofas. The crevice tool targets small surface areas to enhance a more direct suction.

**⚠ CAUTION**  
**Moving parts!** Always turn off hand vacuum before attaching accessories.

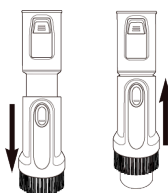
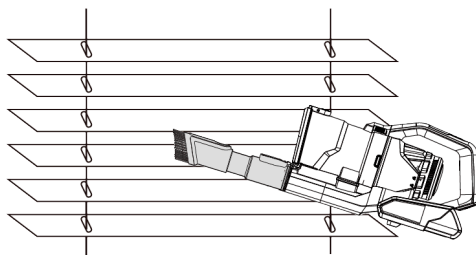
# HOW TO USE

Use with or without wand.

## 2-in-1 upholstery tool:

The 2-in-1 upholstery tool cleans small, hard-to-reach areas. The rough bristles disturb the dirt for easy vac suction/dirt removal from stairs, pet beds, upholstery and car interiors.

- Use brush to vacuum blinds, vents or upholstered surfaces. Use felt portion to clean delicate surfaces. To switch between felt and brush portions, press thumb release and slide brush up or down.

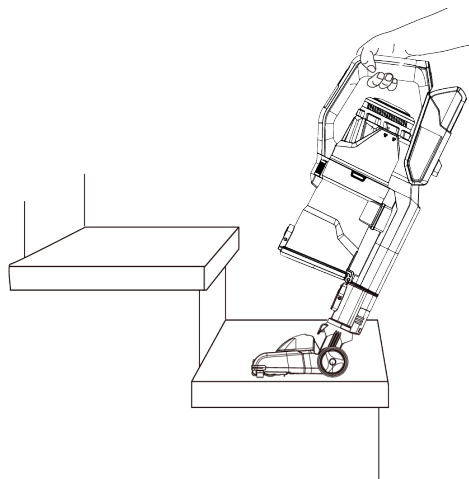


## How to use hand vacuum and motorized floor nozzle

### Motorized floor nozzle:

Ideal for cleaning stairs. The motorized floor nozzle can be used on both hard floors and carpets and allows for suction control enabling low, medium and high suction. The rotating brush roll spins to disturb and lift the dirt/dust from carpets, allowing the vacuum to suck it up.

- Press release button to remove wand from hand vacuum. Attach motorized floor nozzle directly to hand vacuum until it clicks.
- Click power button once to start. Vacuum starts on medium mode. Use mode button to switch between modes depending on suction power desired.



## Brush rolls explained

The bristle brush roll (pre-assembled within the floor nozzle) is a universal version and can be used on both hard floors and carpets. This brush roll works very well on carpets.

The nylon woven brush roll's cleaning performance on hard floors will be much better than the bristle brush roll because hard floors such as parquet will be more protected. The nylon woven brush roll is an additional part which can be found in the box.

# MAINTENANCE

## ⚠ CAUTION

Never operate vacuum cleaner without all filters, filter screen and dust cup in proper position. **WARNING:** Moving parts!  
Recharge cleaner after each use.

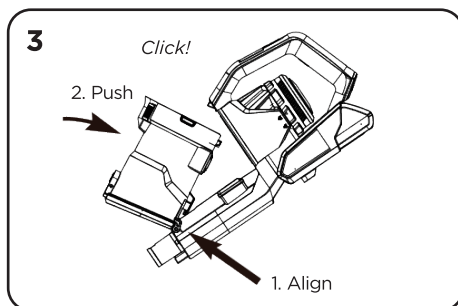
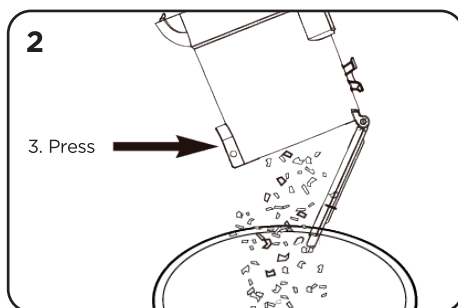
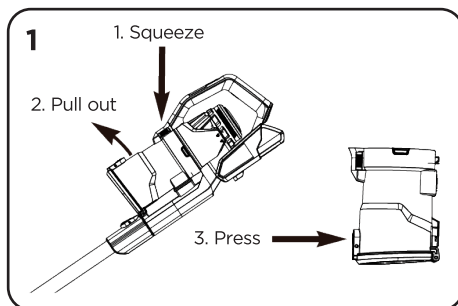
### Dust cup – Empty after each use

1. Press and squeeze buttons, located on both sides at front of handle, at same time to release dust cup and pull dust cup out. (Fig. 1)

2. Press lever to release bottom lid of dust cup to empty debris. (Fig. 1)

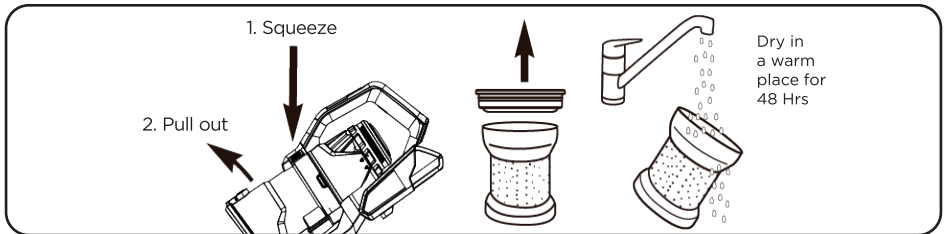
3. Press lever to release bottom lid of dust cup to empty debris. (Fig. 2).

4. To place the dust cup back, angle it forward so the lower hook catches in the slot and then gently push it back towards the wand until you hear click indicating it is locked in place. (Fig. 3).



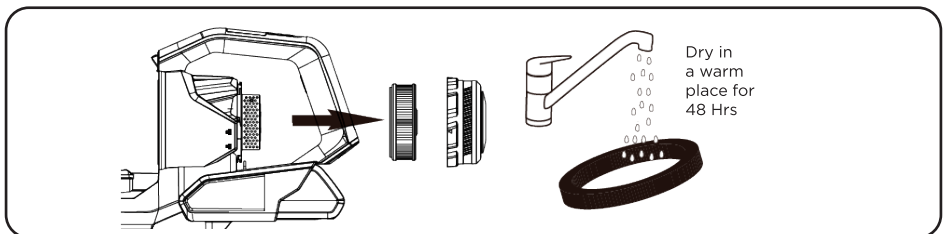
## Washable dust cup filter - clean monthly

1. Press and squeeze buttons, located on both sides at front of handle, at same time to release dust cup and pull dust cup out.
2. Lift out pre-motor filter and shake off dust frequently. Every three months rinse and dry THOROUGHLY.
3. Reattach filter and Cyclone.
4. Click dust cup back into place on unit.
5. If not fully dry, the filters will quickly clog and reduce flow of motor cooling air. This will reduce motor life and battery run time.



## Washable post-motor filter - clean every 6 months

1. Twist filter cover and remove.
2. Lift out post-motor filter.
3. Shake to remove dust.
4. Every 6 months, replace filter or rinse and dry THOROUGHLY.
5. Reposition filter and cover and twist to 'lock'.

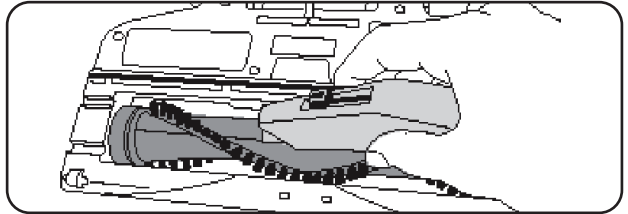


# MAINTENANCE

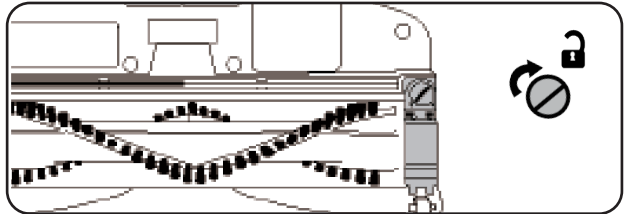
To avoid unnecessary service calls, periodically check the bristle brush roll for debris.  
If the bristle brush roll gets clogged it will automatically shut off.  
Turn the vacuum off and unplug before attempting to remove the clog.

## Bristle brush roll maintenance - clean frequently or when brush roll indicator light turns red

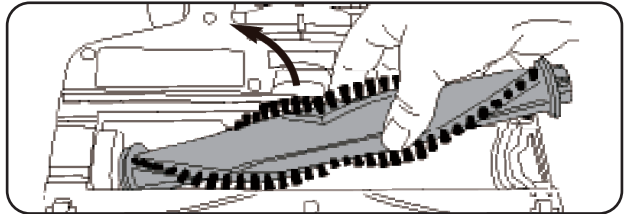
Place the motorized floor nozzle upside down. Carefully use scissors or a knife to cut any strings and threads.



If debris cannot be removed easily, remove the retainer clip to access the brush roll. Using a flat head screwdriver or coin, turn the screw to the 'unlock' position.

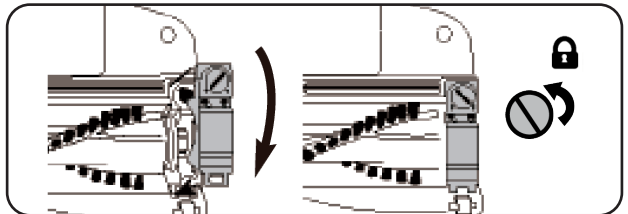


Remove the retainer clip and lift out the brush roll to clean and remove debris.



### To reassemble:

1. Align one end of the brush roll with the floor nozzle gear.
2. Press the other end into the slot.
3. Hook the retainer clip under the tab and press down.
4. Insert the screw and turn to 'lock' position.



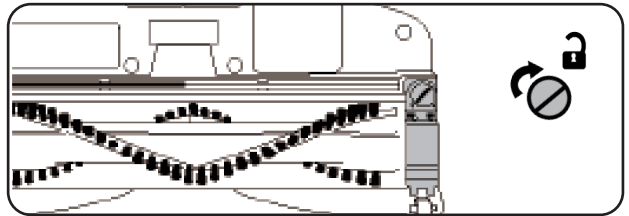


# BRUSH ROLLS

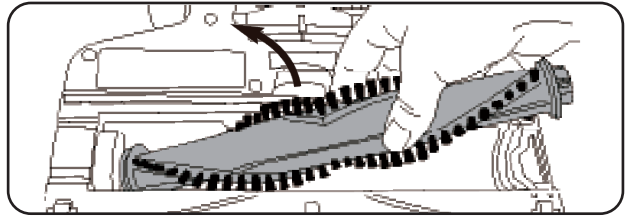
The motorized floor nozzle comes fitted with a bristle brush roll, this can be used on hard floors but works best on carpets. For better cleaning performance on hard floors you can remove the bristle brush roll and replace with the nylon brush roll provided.

## Brush roll maintenance - How to remove and replace brush rolls

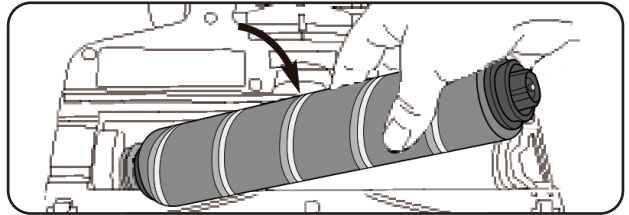
Place the motorized floor nozzle upside down. Using a flat head screwdriver or coin, turn the three screws to the 'unlock' position and remove outer case.



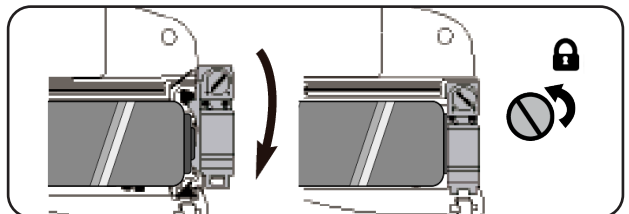
Lift out brush roll pulling out the right side first.



Then gently push the nylon woven brush roll in, left side first.



Replace the outer case. Then insert screw or coin and turn to lock position.



# PROBLEM SOLVING



**Make sure vacuum cleaner is off and charging plug is unplugged.**

## NOTICE: Thermal cut-off

This vacuum cleaner has a special thermostat that protects the vacuum cleaner in case of motor overheating. **If the vacuum suddenly shuts off**, proceed as follows:

1) Check the vacuum for a possible source of overheating such as a full dust cup, blocked wand or clogged filters. If these conditions are found, fix them and wait at least 30 minutes before attempting to use the vacuum.

2) After the **30 minute period**, press the power button. If the vacuum still does not work, visit [www.swan-brand.co.uk/support](http://www.swan-brand.co.uk/support).

Problems	Solution
<b>Motor will not start</b>	<ul style="list-style-type: none"><li>• Make sure cleaner is fully powered.</li><li>• Push charger securely into electrical outlet, try another outlet or check circuit breaker.</li><li>• See detailed “thermal cut-off” instructions above.</li></ul>
<b>Charging indicator lights are not lit while charging</b>	<ul style="list-style-type: none"><li>• Make sure charger is securely inserted into electrical outlet.</li><li>• Make sure charging plug is securely inserted into handle.</li><li>• Indicator lights stop blinking when fully charged.</li></ul>
<b>Not enough suction power</b>	<ul style="list-style-type: none"><li>• Empty dust cup and clean or change filters. See page 14 for maintenance instructions.</li><li>• Make sure cleaner is fully powered. Charge battery.</li><li>• Remove clogs that restrict the airflow.</li></ul>
<b>Not enough running time</b>	<ul style="list-style-type: none"><li>• Make sure cleaner is fully powered</li><li>• Charge battery for up to six hours before using.</li></ul>
<b>Brush roll will not turn</b>	<ul style="list-style-type: none"><li>• Check brush roll for debris. See page 16 for maintenance instructions.</li></ul>

# DISPOSAL

## Discarding the vacuum and battery pack

Appliances bearing the symbol shown here may not be disposed of in domestic rubbish. You are required to dispose of old electrical and electronic appliances like this separately.

Please visit [www.recycle-more.co.uk](http://www.recycle-more.co.uk) or [www.recyclenow.co.uk](http://www.recyclenow.co.uk) for access to information about the recycling of electrical items.

Please visit [www.weeeireland.ie](http://www.weeeireland.ie) for access to information about the recycling of electrical items purchased in Ireland.

The WEEE directive, introduced in August 2006, states that all electrical items must be recycled, rather than taken to landfill. Please arrange to take this appliance to your local Civic Amenity site for recycling, once it has reached the end of its life.

Before you discard this vacuum, dispose of battery in an environmentally safe manner. Do not discard battery with your regular household trash



# WARRANTY

This product is guaranteed for 2 years from the date of original purchase. If any defect arises due to faulty materials or workmanship the faulty products must be returned to the place of purchase. Refunds or replacement is at the discretion of the store.

Visit [www.swan-brand.co.uk/support](http://www.swan-brand.co.uk/support) or call **0333 220 6050**

The following conditions apply:

- The product must be returned to the retailer with proof of purchase.
- The product must be installed and used in accordance with the instructions contained in this instruction guide.
- It must be used only for domestic purposes.
- It does not cover wear and tear, damage, misuse or consumable parts.
- Swan Products Ltd has limited liability for incidental or consequential loss or damage.
- This guarantee is valid in the UK and Eire Only.

Image	Part name	Part # (fits models)
	Charger	SC15828N01
	Crevice tool	SC15824N03
	Wall mount	SC15828N04
	Floor nozzle	SC15828N05
	Flexiclean pole	SC15828N06
	2-in-1 upholstery tool	SC15824N012
	Bristle brush roll	SC15828N08
	Battery	SC15828N09
	Complete Cyclone Filter 4pc includes cyclone filter, post-motor filter and washable pre-motor	SC15828N11
	Nylon woven brush roll	SC15828N13

# STORE YOUR RECEIPT

Affix your receipt here  
for safe keeping

### Notes

Dotted lines for notes



**Powerful**  
**whole home cleaning**

---







[www.swan-brand.co.uk](http://www.swan-brand.co.uk)

**ELEVATE**



Scan this QR code  
to hear about  
our story



We love  
what we do



we're proud  
of our quality



Find us on Facebook

Copyright © 2021

Swan Products Ltd. PO Box 3117, Stoke-on-Trent ST4 9GD