

eureka® | Swan

# RapidClean Pro

LIGHTWEIGHT  
**CORDLESS**  
**VACUUM**

with 21.6V LITHIUM-ION BATTERY

Lightweight for cleaning  
hard to reach areas

Model: SC15826N

User Manual

[www.swan-brand.co.uk/support](http://www.swan-brand.co.uk/support)





# CONTENTS

Important safeguards	<b>04-07</b>
What's in the package?	<b>08</b>
Product overview	<b>09</b>
Easy assembly & installation	<b>10</b>
How to use	<b>11-12</b>
Maintenance	<b>13-17</b>
Thermal cut-off	<b>18</b>
Problem solving	<b>19</b>
Disposal	<b>20</b>
Replacement parts	<b>21</b>
Warranty	<b>22</b>
Receipt section & notes	<b>23</b>

# IMPORTANT SAFEGUARDS

## READ ALL INSTRUCTIONS BEFORE USING THIS VACUUM CLEANER AND RETAIN FOR FUTURE REFERENCE

When using an electrical appliance, basic precautions should always be followed, including the following: Failure to follow the warnings and instructions may result in electric shock, fire and/or injury.

- Prevent unintentional starting. Ensure the switch is in the off-position before picking up or carrying the appliance. Carrying the appliance with your finger on the switch or energizing appliance that has the switch on invites accidents.
- **DANGER!** Do not touch nozzle when the vacuum cleaner is on.
- Do not put any object into openings. Do not use with any openings blocked; keep free of dust, lint, hair and anything that may reduce air flow.
- Do not use outdoors or on wet surfaces.
- Do not operate the vacuum cleaner or charger if it has been damaged in any way. If vacuum cleaner is not working as it should, has been dropped, damaged, left outdoors, or dropped into water, please visit: **[www.swan-brand.co.uk/support](http://www.swan-brand.co.uk/support)** for advice.
- To avoid excessive heat and damage to the unit or battery, the vacuum cleaner will not operate while charging.
- Do not allow to be used as a toy. Close attention is necessary when used by or near children.
- Use only as described in this manual. Use only manufacturer's recommended attachments.

# IMPORTANT SAFEGUARDS

- Recharge only with the charger specified by the manufacturer. A charger that is suitable for one type of battery pack may create a risk of fire when used with another battery pack.
- Do not pull or carry the charger by cord, use cord as a handle, close a door on cord, or pull cord around sharp edges or corners. Do not run appliance over cord. Keep cord away from heated surfaces.
- Do not use extension cords or outlets with inadequate current carrying capacity for the charger.
- Do not unplug by pulling on cord. To unplug, grasp the plug, not the cord.
- Do not handle charger or vacuum cleaner with wet hands.
- Use appliances only with specifically designated battery packs. Use of any other battery packs may create a risk of injury and fire.
- **DO NOT MODIFY, MANIPULATE OR INCINERATE BATTERIES. BATTERIES BECOME DANGEROUS AT HIGH TEMPERATURES.**
- Liquid ejected from the battery may cause irritation or burns. If the liquid gets on the skin, (1) seek medical attention, (2) wash quickly with soap and water, and (3) neutralize with a mild acid such as lemon juice or vinegar. If the liquid gets into the eyes, flush them immediately with clean water for a minimum of 10 minutes.
- When the battery pack is not in use, keep it away from other metal objects, like paper clips, coins, keys, nails, screws or other small metal objects, that can make a connection from one terminal to another.

# IMPORTANT SAFEGUARDS

Shorting the battery terminals together may cause burns or a fire.

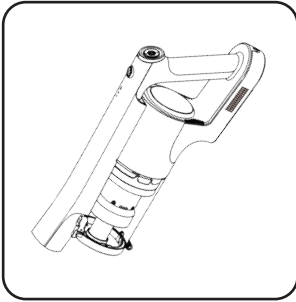
- This product is functioning at a temperature range between 5°C - 40°C.
- Do not use a battery pack or appliance that is damaged or modified. Damaged or modified batteries may exhibit unpredictable behaviour resulting in fire, explosion or risk of injury.
- Do not expose a battery pack or appliance to fire or excessive temperature. Exposure to fire or temperature above 266°F may cause explosion.
- Follow all charging instructions and do not charge the battery pack or appliance outside of the temperature range specified in the instructions. Charging improperly or at temperatures outside of the specified range may damage the battery and increase the risk of fire.
- Have servicing performed by a qualified repair person using only identical replacement parts. This will ensure that the safety of the product is maintained.
- Do not modify or attempt to repair the appliance or the battery pack except as indicated in the instructions for use and care.
- The terminals on both the vacuum cleaner and battery should be kept free and clean of objects. Do not insert metal objects inside the terminals.
- This vacuum cleaner creates suction. Keep hair, loose clothing, fingers, and all parts of body away from openings and moving parts.
- Do not pick up anything that is burning or smoking, such as cigarettes, matches, or hot ashes.

# IMPORTANT SAFEGUARDS

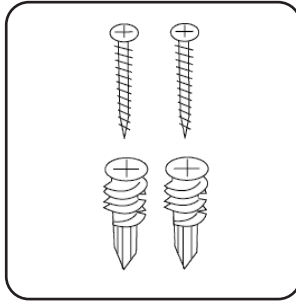
- Do not use without filters in place. Use extra care when cleaning stairs.
- Do not use to pick up flammable or combustible liquids, such as gasoline, or use in areas where they may be present.
- Store vacuum cleaner and charger indoors in a cool, dry area. To avoid electric shock and/or cleaner damage, do not expose to weather elements.
- Keep your work area well lit. Unplug electrical appliances before vacuuming them.
- Overcharging, short circuiting, reverse charging, modifying, manipulating or incinerating the cells and the batteries must be avoided.
- If a cell or a battery has leaked or vented, it should be replaced immediately using protective gloves.
- If and when necessary, these cells or batteries must be replaced with identical new ones from the same manufacturer. If a cell or a battery to be replaced is connected with other cells or batteries in series, it is recommended that the other cells or batteries be replaced with new ones at the same time.
- Reverse polarity installation of the cell or the battery in the end product must be avoided.
- Do not incinerate this appliance even if it is severely damaged.

## SAVE THESE INSTRUCTIONS

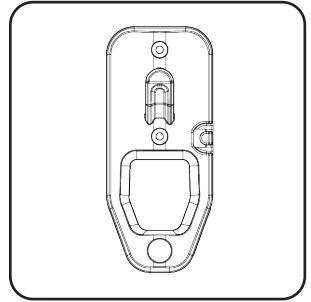
# WHAT'S IN THE PACKAGE?



Hand vacuum



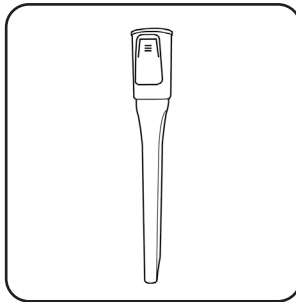
2 Screws &  
drywall anchors



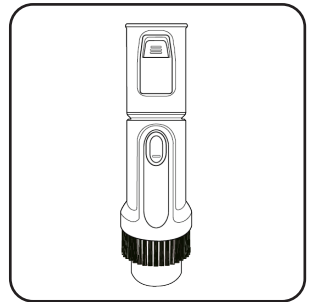
Wall mount



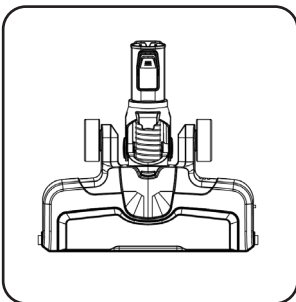
Important  
safeguards



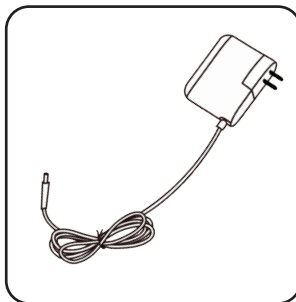
Crevice tool



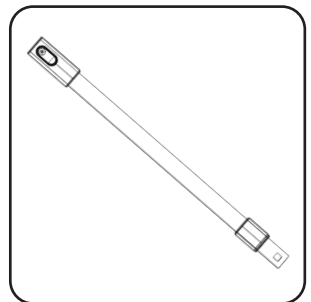
2-in-1  
Upholstery tool



Motorized  
floor nozzle



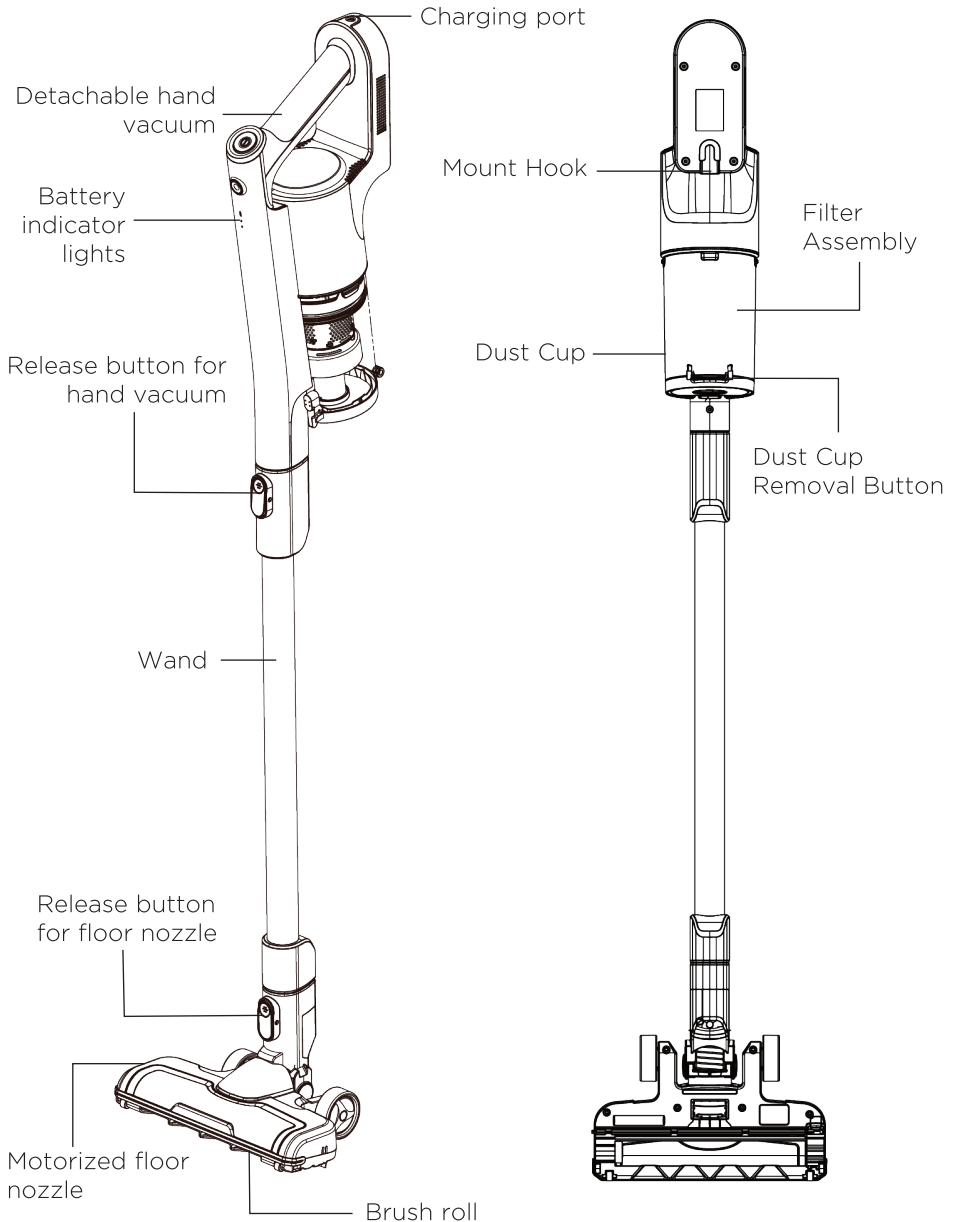
Charger



Wand



# PRODUCT OVERVIEW



# EASY ASSEMBLY

## Easy assembly

1. Slide wand onto hand vacuum until it clicks (Fig. 1).
2. Push wand into motorised floor nozzle until it clicks (Fig. 2).

## How to install wall mount

- Choose location near power outlet. Locate point high enough on wall to allow wand and motorized floor nozzle to hang freely.
- Place mount against wall and use pencil to mark drill holes.
- Drill holes (with 1/4" bit) and insert drywall anchors. Insert screws through holes on mount and tighten until firmly attached (Fig. 3).

## How to charge battery and store accessories

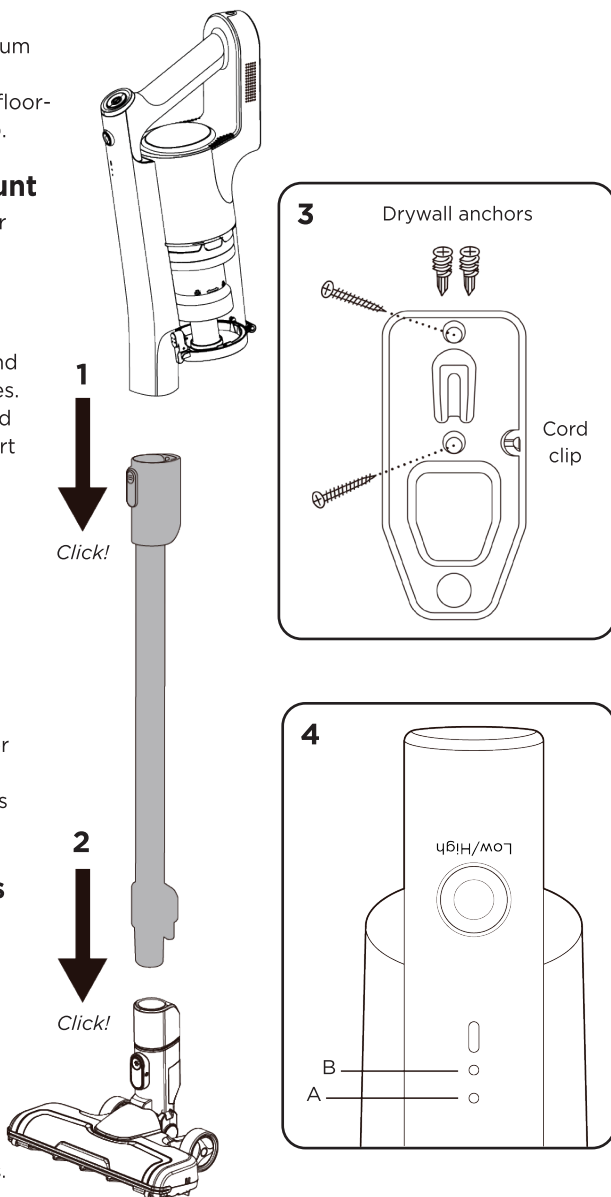
- Place assembled vacuum cleaner on wall mount.
- Plug charger into power outlet and then into charger port on handle (Fig. 4).
- Loop charger cord into clips on sides of wall mount.

## Battery indicator lights show level of charge

(Fig. 4):

- A. Half charged
- B. Fully charged

- Indicator lights stop blinking when fully charged.
- Charge battery fully before using for the first time. This may take up to six hours.



# HOW TO USE

## Using the stick vacuum cleaner

Ensure the stick vac is fully charged and assembled before using. Always take care when vacuuming stairs.

1. There are two power settings on the stick vac: Max mode (this has a higher suction power but a shorter running time, approx 15 mins) and Eco mode (lower suction power with a longer running time, approx 30 mins). The stick vac will always start in Max mode. The run time may vary depending on the surface being cleaned.
2. For 'Max' mode simply press the power button **(B)**, while for 'Eco' mode press the power button **(B)** followed by the mode button **(C)**. The Max mode light will illuminate when in 'Max' mode and go out when switched to 'Eco' mode. When required, press the power button **(B)** again to turn off the stick vac.
3. Move the floor nozzle back and forth over the surface. Use even strokes. Don't press hard; allow the stick vac to suck away the debris.
4. The stick vac has charge indicator lights **(D)**, these are the two small lights on the handle.

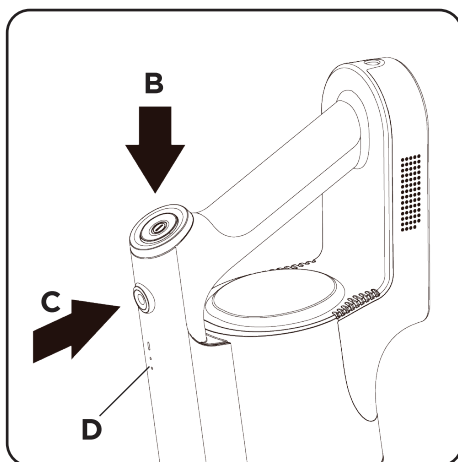
**While charging** - the lower light will flash and the top light is off.

**Half charged** - the lower light is on and the top light will flash.

**Fully charged** - Both lights are on for around 10 minutes, then they will turn off.

When in use and the battery is almost gone, the bottom light will be off and the top light will flash. After approximately 10 seconds the stick vac will automatically switch off.

5. It is advisable to empty the dust cup after each use. For best performance, check the filters are clean (see the 'Removing and cleaning the dust cup and filters' section of this manual).



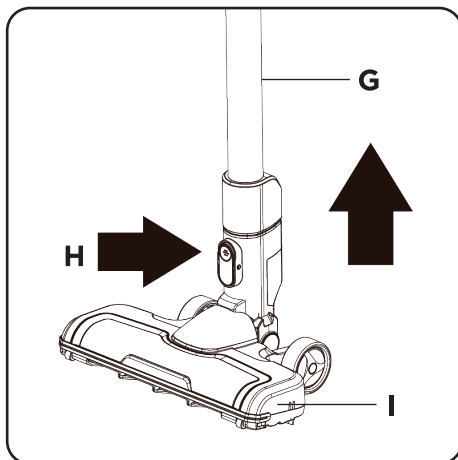
### ⚠ CAUTION

**Moving parts!** Always turn off hand vacuum before attaching accessories.

# HOW TO USE

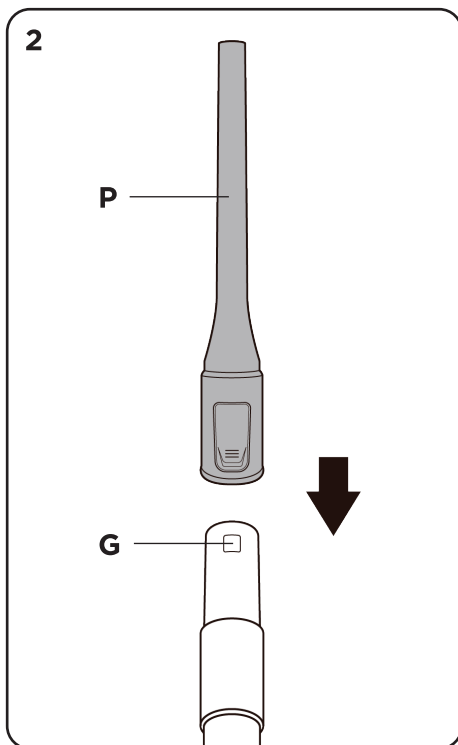
When charging the attachment ensure the stick vac is switched off.

1. Remove the floor nozzle (**I**) from the extension pole (**G**) by pushing down on the release button for floor nozzle (**H**) and pulling the extension pole (**G**) away from the floor nozzle (**I**).
2. Slide the crevice tool (**P**) onto the end of the extension pole (**G**) until it clicks into place. The attachment is now ready to use.



The crevice tool (**P**) can fit directly onto the hand vacuum for close up vacuuming and low level dusting and cleaning.

For high level cleaning the tools can fit on the end of the extension pole (**G**).



# MAINTENANCE

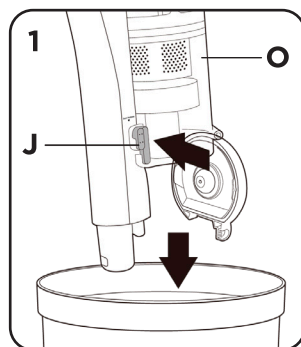
## ⚠ CAUTION

Never operate vacuum cleaner without all filters, filter screen and dust cup in proper position. **WARNING:** Moving parts!  
Recharge cleaner after each use.

### Dust cup - Empty after each use

Ensure the stick vac is switched off and any attachments are removed before emptying the dust cup.

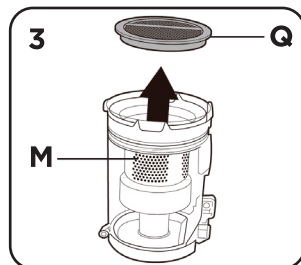
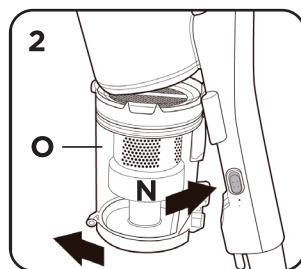
1. Hold the dust cup (O) assembly over a household bin and push the dust release latch (J) on the side of the dust cup. The debris will fall out into the bin.  
Please note: Do not allow the dust cup to overfill. Don't exceed the MAX level marker. Empty regularly.  
Every time you empty the dust cup, check the filter assembly and tap gently over the household bin to remove any excess dust.
2. Once empty, close the lid until it clicks shut.



### Removing and cleaning the dust cup and filters

Before starting any cleaning, ensure the stick vac is not charging and is switched off. It is easier to remove the dust cup without any attachments on the stick vac.

1. Empty the dust cup as shown in the 'Emptying the dust cup' section of this manual.
2. Press the dust cup removal (N) located on the side of the main body near the bottom of the dust cup (O). Then pull the dust cup away from the main body, keeping the cup fairly upright.
3. The dust cup houses the circular sponge filter (Q) and filter assembly (M). Firstly remove the circular sponge filter (Q) by pinching the ribbon material at the top of the filter and pulling upwards, then set aside.

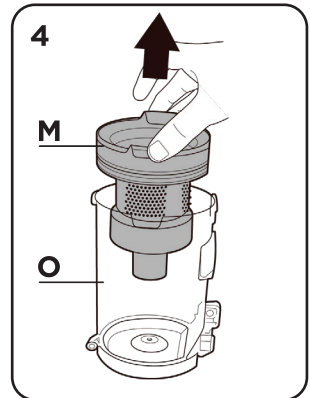


# MAINTENANCE

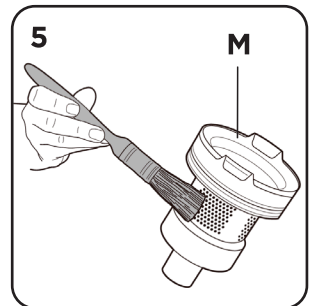
## Removing and cleaning the dust cup and filters (continued)

- Pinch either side of the filter assembly (**M**) and pull upwards away from the dust cup (**O**). Tap the filter assembly (**M**) gently over the household bin to remove any large amounts of dust.

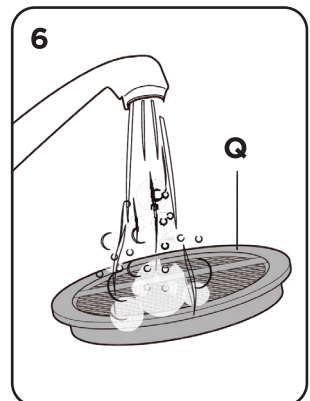
**Note:** Do not allow the dust cup to overfill.  
Don't exceed the MAX level marker.  
Empty regularly.



- Remove anymore excess dust from the filter assembly (**M**) using a soft brush or a clean paint brush. The filter can be broken down into three parts. Hold the top section and twist the lower section in the direction of the arrow and the unlock padlock icon.



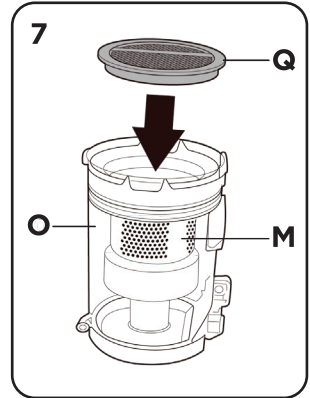
- Rinse the dust cup, filter assembly parts and circular sponge (**Q**) under warm water until the water runs clear and leave to dry for 48 hours.



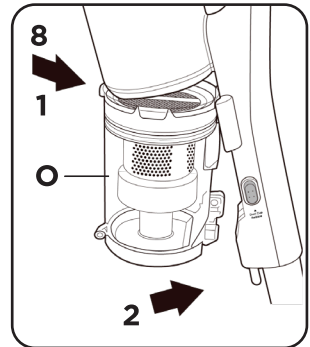
# MAINTENANCE

## Removing and cleaning the dust cup and filters (continued)

7. Once all the parts are thoroughly dry, reassemble the filter assembly **(M)** parts following the arrow and the icon for the locked padlock and place into the dust cup **(O)**. Don't forget to put the circular sponge filter **(Q)** back in the top of the filter assembly.



8. Replace the dust cup **(O)** to the main body by hooking the channel on the top of the dust cup **(O)** with the clasp on the main body **(1)**. Push the dust cup **(O)** back towards the main body until you hear it click into place **(2)**. Please note: Do not allow the dust cup to overfill. Don't exceed the MAX level marker. Empty regularly.



**Note:** It is important to regularly maintain and clean the filters. A clogged filter reduces suction power and can shorten the life of your stick vac.

Below is a recommended guide for how often you should clean the filters:

FILTER TYPE	RECOMMENDED CLEANING TIMES
Filter assembly <b>(M)</b>	<ul style="list-style-type: none"><li>• Shake out debris when you empty the dust cup. Use the soft dusting brush to gently remove any dust build-up.</li><li>• Rinse under warm water once a month or more often if required.</li></ul>
Circular sponge filter <b>(Q)</b>	<ul style="list-style-type: none"><li>• Occasionally remove any dust/debris as necessary. The filter can also be rinsed under warm water once a month.</li></ul>

# MAINTENANCE

## Removing and cleaning the floor nozzle and roller brush

Before starting any cleaning, ensure the stick vac is not charging and is switched off and remove the floor nozzle from the rest of the stick vac.

If the roller brush becomes tangled during use, the automatic thermal cut out will shut off the stick vac. If that happens please follow the below steps.

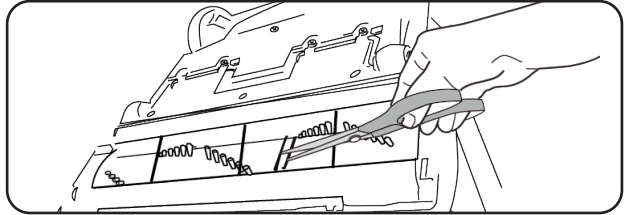
### ⚠ CAUTION

Make sure vacuum cleaner is turned off and not plugged into a power source.

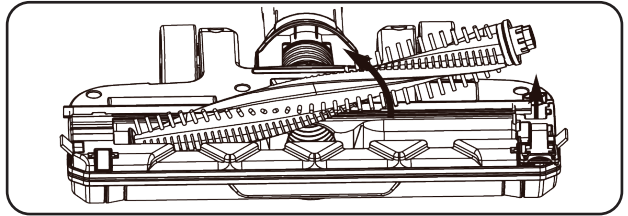
### WARNING:

Do not attempt to remove belt

1. Step on floor nozzle to lower handle. Turn vacuum face down on floor. Use scissors to clip heavy threads or strings.

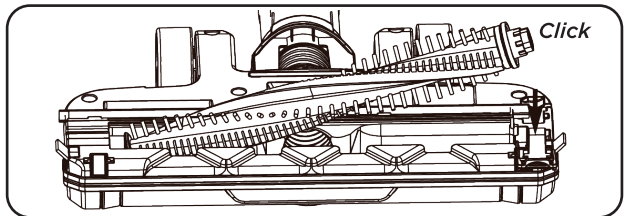


2. If debris cannot be removed easily, locate the brush roll release tab on the right side and open the brush roll cover. Remove the brush roll and clear any tangled hair and remaining debris.



To reassemble:

1. Align one end of brush roll with floor nozzle gear.
2. Press other end into slot.
3. Replace brush roll release tab into slot and press down to click in place.





# MAINTENANCE

## Clearing a blockage

Ensure the stick vac is not plugged into the main power supply and is switched off before dismantling the vac:

The stick vac would only become blocked if the dust cup has exceeded the 'Max' level, the filters are clogged up or a large object has been sucked up.

1. Check the dust cup **(O)** and empty if necessary.
2. Check the 2 filters **(M)** and **(Q)** in the unit, remove any debris/dust and wash if necessary.
3. If the nozzle **(I)** or the crevice tool **(P)** were in use, detach them from the hand vacuum **(E)** or extension pole **(G)**.
4. Detach the extension pole **(G)** and look down it to see if there are any blockages. If there are, use the handle of a broom to clear the obstruction. Take care not to damage the pole in the process.
5. Check the roller brush for any hair or thread which may have become wrapped around the roller. Cut away with a pair of scissors. To do this safely, remove as shown in the 'Removing and cleaning the floor nozzle roller brush' section of this manual. Every time you empty the dust cup check the filter assembly and tap gently over the household bin to remove any excess dust.
6. Once empty close the lid until it clicks shut.

## Storing a cordless stick vac

Your stick vac can be stored safely and securely by hanging from the wall mount **(T)** supplied with your product or by removing all the attachments and stowing together in a cupboard. Either way will help avoid the product falling over and causing damage.

Always turn off and unplug from the mains supply before storing.

1. Remove any attachments if the stick vac was last used with them on.
2. Store the stick vac and accessories away in a dry place.

# THERMAL CUT-OFF

## NOTICE: Thermal cut-off

This vacuum cleaner has a special thermostat that protects the vacuum cleaner in case of motor overheating. **If the vacuum suddenly shuts off**, proceed as follows:

**1)** Check the vacuum for a possible source of overheating such as a full dust cup, blocked wand or clogged filters. If these conditions are found, fix them and wait at least 30 minutes before attempting to use the vacuum.

**2)** After the **30 minute period**, press the power button. If the vacuum still does not work, visit [www.swan-brand.co.uk/support](http://www.swan-brand.co.uk/support).

# PROBLEM SOLVING



**Make sure vacuum cleaner is off and charging plug is unplugged.**

Problems	Solution
<b>The stick vac is not cleaning well</b>	<ul style="list-style-type: none"> <li>• Empty the dust cup <b>(O)</b>.</li> <li>• Remove excess dust from the filters.</li> <li>• Wash the filters <b>(M)</b> and <b>(Q)</b>.</li> <li>• Check the blockages.</li> </ul>
<b>The stick vac has stopped or won't work.</b>	<ul style="list-style-type: none"> <li>• Change the vac (check the mains socket works and the switch is turned on).</li> <li>• It might be blocked - check items 1 to 4 above.</li> <li>• The thermal cut out activated. Switch off the vac and leave the motor to cool for an hour then try using again.</li> </ul>
<b>Motor will not start</b>	<ul style="list-style-type: none"> <li>• Make sure cleaner is fully powered.</li> <li>• Push charger securely into electrical outlet, try another outlet or check circuit breaker.</li> <li>• See detailed "thermal cut-off" instructions on page 18.</li> </ul>
<b>Charging indicator lights are not lit while charging</b>	<ul style="list-style-type: none"> <li>• Make sure charger is securely inserted into electrical outlet.</li> <li>• Make sure charging plug is securely inserted into handle.</li> <li>• Indicator lights stop blinking when fully charged.</li> </ul>
<b>Not enough suction power</b>	<ul style="list-style-type: none"> <li>• Empty dust cup and clean or change filters. See page 13 for maintenance instructions.</li> <li>• Make sure cleaner is fully powered. Charge battery.</li> <li>• Remove clogs that restrict the airflow.</li> </ul>
<b>Not enough running time</b>	<ul style="list-style-type: none"> <li>• Make sure cleaner is fully powered.</li> <li>• Charge battery for up to six hours before using.</li> </ul>
<b>Brush roll will not turn</b>	<ul style="list-style-type: none"> <li>• Check brush roll for debris. See page 16 for maintenance instructions.</li> </ul>

# DISPOSAL

## Discarding the vacuum and battery pack

Appliances bearing the symbol shown here may not be disposed of in domestic rubbish. You are required to dispose of old electrical and electronic appliances like this separately.

Please visit [www.recycle-more.co.uk](http://www.recycle-more.co.uk) or [www.recyclenow.co.uk](http://www.recyclenow.co.uk) for access to information about the recycling of electrical items.

Please visit [www.weeireland.ie](http://www.weeireland.ie) for access to information about the recycling of electrical items purchased in Ireland.

The WEEE directive, introduced in August 2006, states that all electrical items must be recycled, rather than taken to landfill. Please arrange to take this appliance to your local Civic Amenity site for recycling, once it has reached the end of its life.

Before you discard this vacuum, dispose of battery in an environmentally safe manner. Do not discard battery with your regular household trash



Image	Part name	Part # (fits models)
	Charger	SC15826N01
	Crevice tool	SC15824N03
	Wall mount	SC15826N02
	Floor nozzle	SC15826N03
	Wand	SC15826N04
	<p>Complete Cyclone Filter</p> <p>4pc includes cyclone filter, post-motor filter and washable pre-motor</p>	SC15826N05
	2-in-1 upholstery tool	SC15824N012
	Brush roll	SC15826N06

# WARRANTY

This product is guaranteed for 2 years from the date of original purchase. If any defect arises due to faulty materials or workmanship the faulty products must be returned to the place of purchase. Refunds or replacement is at the discretion of the store.

Visit [www.swan-brand.co.uk/support](http://www.swan-brand.co.uk/support) or call **0333 220 6050**

The following conditions apply:

- The product must be returned to the retailer with proof of purchase.
- The product must be installed and used in accordance with the instructions contained in this instruction guide.
- It must be used only for domestic purposes.
- It does not cover wear and tear, damage, misuse or consumable parts.
- Swan Products Ltd has limited liability for incidental or consequential loss or damage.
- This guarantee is valid in the UK and Eire Only.





[www.swan-brand.co.uk](http://www.swan-brand.co.uk)

## *RapidClean Pro*



Scan this QR code  
to hear about  
our story



We love  
what we do



we're proud  
of our quality



Find us on Facebook

Copyright © 2021

Swan Products Ltd. PO Box 3117, Stoke-on-Trent ST4 9GD