

Swan | activair



12" (30cm) Desk Fan

Model: SFA23022N (all colours)

Help line

0333 220 6050



We love
what we do



We're proud
of our quality



IMPORTANT INFORMATION - RETAIN FOR FUTURE USE

When using any electrical appliance, basic safety precautions should always be followed including the following:

- Always ensure that the voltage on the rating label corresponds to the mains voltage in your home
- Incorrect operation and improper use can damage the appliance and cause injury to the user.
- This appliance can be used by children aged from 8 years and above if they have been given supervision or instruction concerning use of the appliance in a safe way and if they understand the hazards involved. Cleaning and user maintenance shall not be made by children unless they are older than 8 and supervised. Keep the appliance and its cord out of reach of children aged less than 8 years. Check the power cord and plug regularly for any damage. If the cord or the plug is damaged, it must be replaced by the manufacturer or qualified person in order to avoid an electrical hazard.
- Appliances can be used by persons with reduced physical, sensory or mental capabilities or lack of experience and knowledge if they have been given supervision or instruction concerning use of the appliance in a safe way and understand the hazards involved.
- Do not use the appliance if it has been dropped or damaged in any way. In case of damage, take the unit in for examination and/or repair by an authorised service agent.
- Never immerse the unit in water or any other liquid for



IMPORTANT INFORMATION - RETAIN FOR FUTURE USE

cleaning purposes.

- Remove the plug from the socket by gripping the plug. Do not pull on the cord to disconnect the appliance from the mains. Always unplug the unit when not in use, before cleaning or when adding or removing parts.
- The use of accessory attachments that are not recommended or supplied by the manufacturer may result in injuries, fire or electric shock.
- Do not let the cord hang over the edge of a table or counter. Ensure that the cord is not in a position where it can be pulled on inadvertently.
- Do not allow the cord to touch hot surfaces and do not place on or near a hot gas or electric burner or in a heated oven.
- Do not use the appliance on a gas or electric cooking top or over or near an open flame.
- Use of an extension cord with this appliance is not recommended. However, if it is necessary to use an extension lead, ensure that the lead is suited to the power consumption of the appliance to avoid overheating of extension cord, appliance or plug point. Do not place the extension cord in a position where it can be pulled on by children or animals or tripped over.
- This appliance is not suitable for outdoor use. Do not use the appliance for anything other than its intended use.
- Do not carry the appliance by the power cord.
- Do not leave the appliance unattended during use. Always unplug the unit when not in use or before cleaning.
- Always operate the appliance on a smooth, even, stable





IMPORTANT INFORMATION - RETAIN FOR FUTURE USE

surface. Do not place the unit on a hot surface.

- Ensure that the unit is switched off after use.
- The manufacturer does not accept responsibility for any damage or injury caused by improper or incorrect use, or for repairs carried out by unauthorised personnel.
- In case of technical problems, switch off the product and do not attempt to repair it yourself. Return the appliance to an authorised service facility for examination, adjustment or repair. Always insist on the use of original spare parts. Failure to comply with the above mentions precautions and instructions, could affect the safe operation of this product.
- Your appliance must never be switched on through an external timer or any kind of separate remote control system
- This appliance is intended to be used in household and similar applications such as: staff kitchen areas, in shops, offices and other working environments; farm houses; by clients in hotels, motels and other residential type environments; bed and breakfast type environments.
- Keep loose clothing and hair away from the fan



TECHNICAL DATA

Description: 12" (30cm) Desk Fan

Model: SFA23022N (all colours)

Input Voltage: 220-240V ~ 50/60Hz

Power: 45 Watts

Max flow rate: 39.7 cubic metres per minute

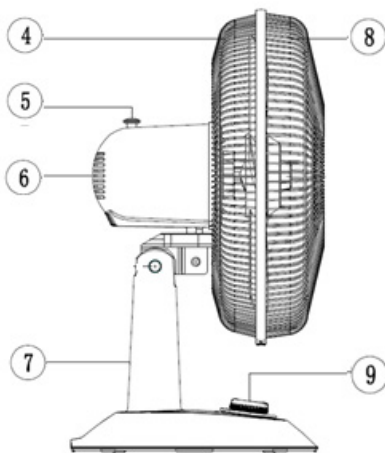
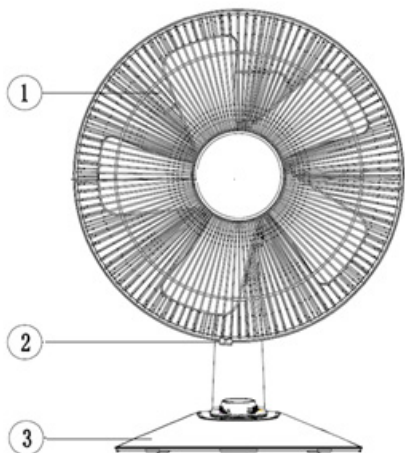
Sound level: 55 dB(A)

Max air velocity: 2.84 metres per second





GET TO KNOW YOUR PRODUCT

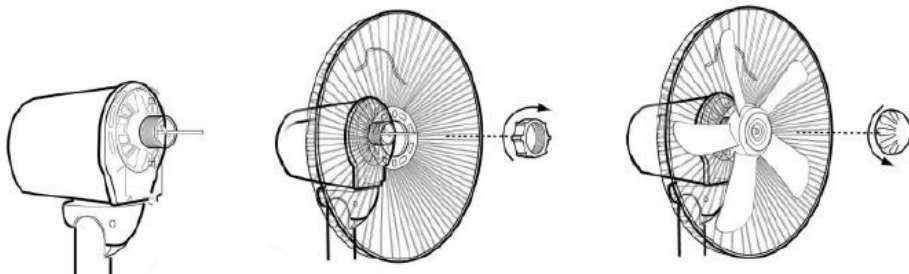


1. Fan blade
2. Ring screw
3. Base

6. Motor
7. Fan main body
8. Front grille
9. Speed control



ASSEMBLY

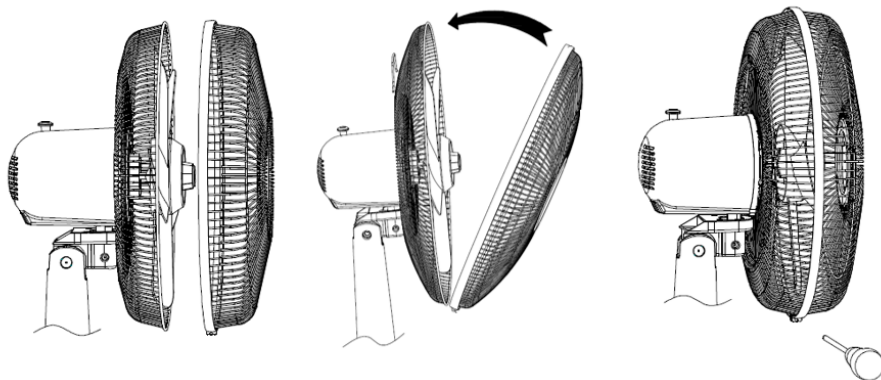


- Remove the lock nut from motor shaft. [anti-clockwise]
- Place the rear grill on the motor housing, making sure to position the housing lugs in the guide holes of the grill [handle at the top].
- Firmly tighten [clockwise] the locknut to secure the rear grill.
- Place the fan blade on the motor shaft by placing the notches in the blade in the shaft passing through the motor shaft.
- Tighten with the reverse nut [counterclockwise and lock the blade securely].

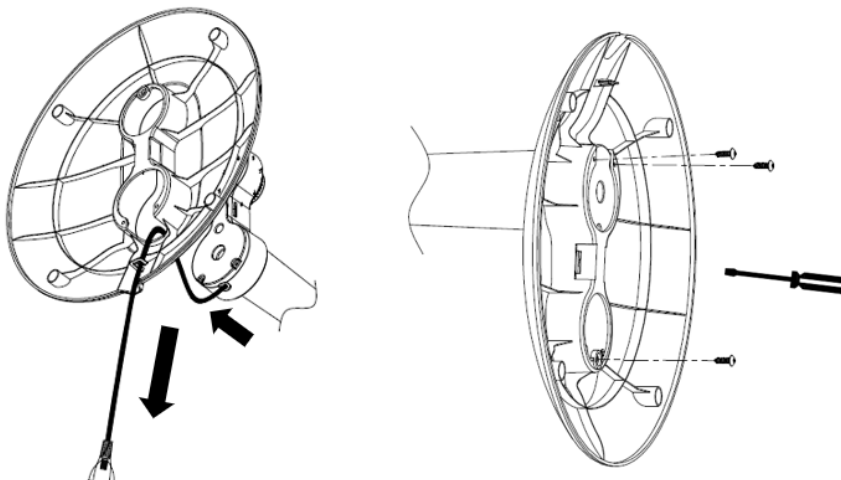




ASSEMBLY



- Place the front grill and install the plastic strapping ring around the grills to hold them. Be sure to position the edges of the 2 grids in the 2 notches inside the strapping.
- Tighten the ring screw [2] to secure the ring.



- Pass the power cord through the base, then assemble the main body of the fan on the base by matching the attachment points, snap it firmly and secure with the screws.





OPERATION

Connect the power cord to a suitable wall socket and select the desired setting below:



Off



Low



High



Turbo



Quiet

OSCILLATION FUNCTION

Press the oscillation button [5] down to engage oscillation function. The fan will sweep back and forth to cover a wider area. To stop the oscillation function, pull the oscillation button upward.

TILT FUNCTION

The fan can be tilted forward and backward a few degrees to better direct the air flow.



CLEANING & MAINTENANCE

Your fan requires little maintenance and contains no user serviceable parts. Do not attempt to dismantle the unit yourself. The fan is permanently lubricated and will not require additional lubrication.

Cleaning:

- Always unplug the fan from the mains outlet before cleaning.
- The fan can be cleaned with a soft dry cloth. Deposits of dust can be removed by using a vacuum cleaner, ensuring that the air vents and grilles remain free from dust to prevent overheating.
- **Important:** Do not allow water to run into the interior of the fan, as this can cause an electric shock.
- Do not use abrasive cleaners or chemical agents to clean the product.
- When not in use, store the fan in its retail box.





WARRANTY

This product is guaranteed for 2 years from the date of original purchase. If any defect arises due to faulty materials or workmanship the faulty products must be returned to the place of purchase. Refunds or replacement is at the discretion of the store.

The following conditions apply:

- The product must be returned to the retailer with proof of purchase.
- The product must be installed and used in accordance with the instructions contained in this instruction guide.
- It must be used only for domestic purposes.
- It does not cover wear and tear, damage, misuse or consumable parts.
- Swan Products Ltd has limited liability for incidental or consequential loss or damage.
- This guarantee is valid in the UK and Eire Only.



BS PLUG

The wires in the mains lead are coloured in accordance with the following code:

BLUE	NEUTRAL
BROWN	LIVE

As the colours of the wire in the mains lead of this appliance may not correspond with the colour markings identifying the terminals on your plug, proceed as follows:

The wire which is coloured BLUE must be connected to the terminal which is marked with the letter N or coloured black. The wire which is coloured BROWN must be connected to the terminal which is marked with the letter L or coloured red.

WARNING: THIS APPLIANCE IS DOUBLE INSULATED. DO NOT CONNECT ANY WIRE TO THE EARTH PIN



DISPOSAL OF UNIT



Appliances bearing the symbol shown here may not be disposed of in domestic rubbish. You are required to dispose of old electrical and electronic appliances like this separately. Please visit www.recycle-more.co.uk or www.recyclenow.co.uk for access to information about the recycling of electrical items. Please visit www.weeeireland.ie for access to information about the recycling of electrical items purchased in Ireland. The WEEE directive, introduced in August 2006, states that all electrical items must be recycled, rather than taken to landfill. Please arrange to take this appliance to your local Civic Amenity site for recycling, once it has reached the end of its life.



www.swan-brand.co.uk



Scan this QR code
to hear about
our story



We love
what we do



we're proud
of our quality



Find us on Facebook

* on selected products

Copyright © Swan Products Ltd.
PO Box 3117, Stoke-on-Trent ST4 9GD

