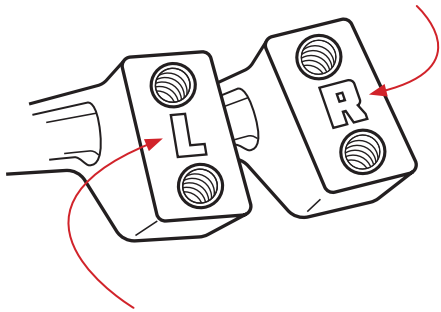


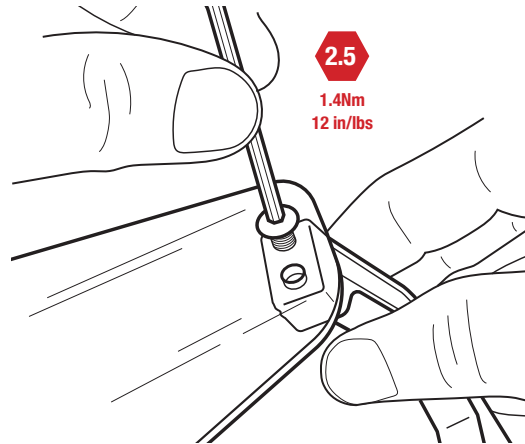
### INSTALLING YOUR REVGrips HAND GUARDS - REPEAT THIS PROCESS FOR BOTH SIDES

**TOOLS** 2.5MM / 3MM / TORQUE WRENCH

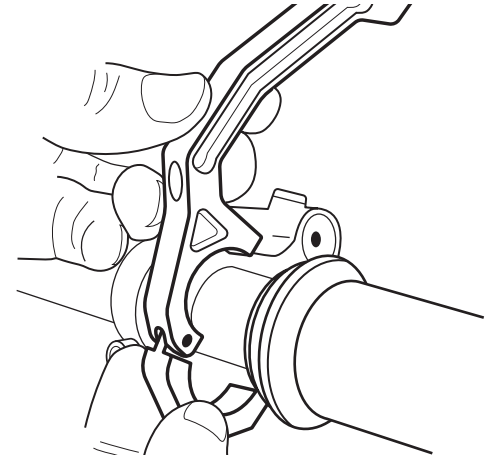
- 1 Identify the left and right mounts. Each side is indicated with a "L" or "R" on the front surface of the mount where the shield attaches.



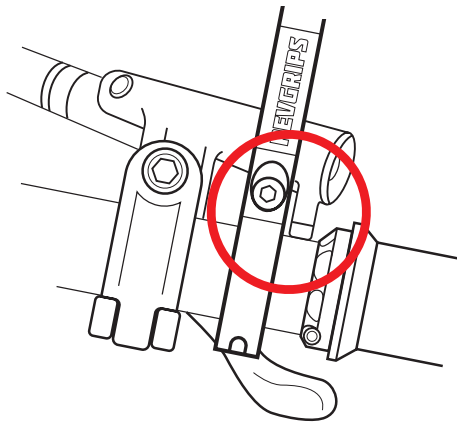
- 2 Attach a hand shield to a mount using a 2.5mm hex and 2 of the four shield bolts. Shields can be either left or right sided - they are not side specific. Tighten the shield bolts to 1.4Nm.



- 3 Remove the clamp hinge bolt with a 3mm hex and position the assembled guard on the bars in the desired location (usually adjacent to the inner grip clamp). Do not tighten the hinge bolt.

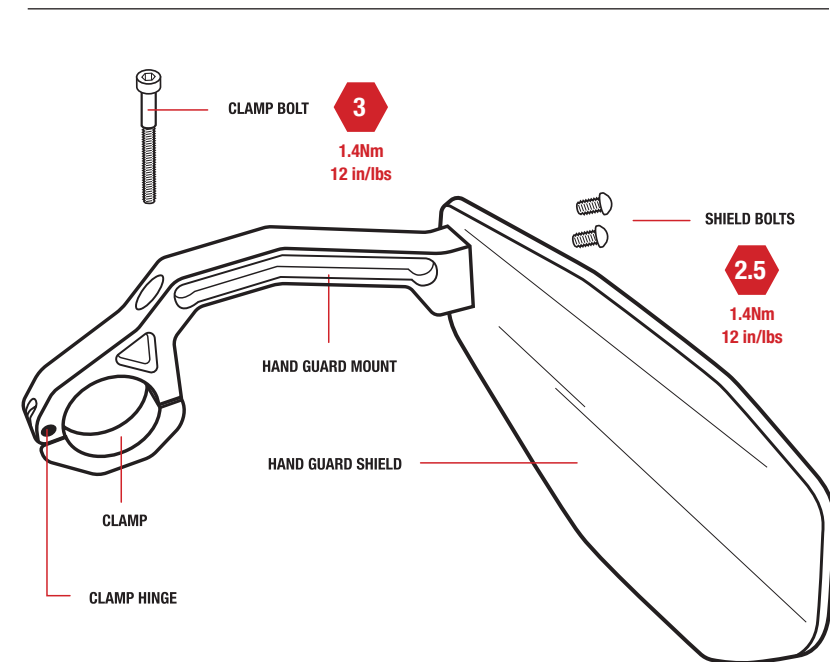
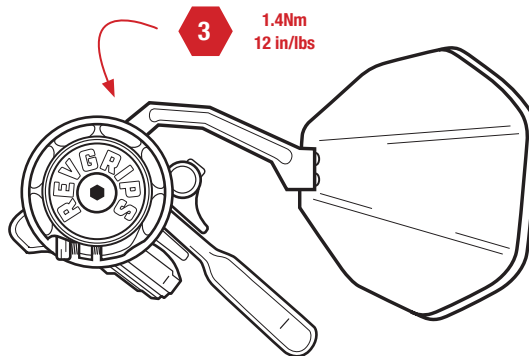


**NOTE** Newer models of Shimano brakes have a reservoir support tab. For these brakes, the hand guard clamp can be positioned between the brake clamp and the support tab.



- 4 Adjust the position of the guard so that it covers the rider's hand evenly when in the riding position. Tighten the clamp bolt to 1.4Nm.

REPEAT THIS PROCESS FOR BOTH SIDES.



#### IMPORTANT REMINDER

Using a 2.5mm and 3mm hex wrench, check all hand guard screws before each ride as part of your standard maintenance routine.