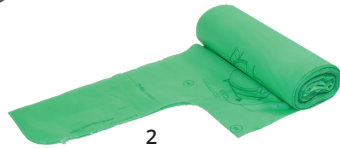


Accessories



More accessories at
www.separettstore.com

- 1. Solid Waste Container Villa With Lid #1098-02**
- 2. Compostable waste bag #1127-02.**
- 3. Absorb #1060-01**, binds redundant fluid and minimises the risk of smell
- 4. Bio Drain Cleaner, 5 units/PACK #1118-01**, Prevents coating in the urine run-off
- 5. Child seat** urine separating #1101-01
- 6. Ejektortank #1013-03**, 50 l with a 30' long 3/4" emptying hose



Separett®
Waterless toilets

Separett®
Waterless toilets

Separett-USA

www.separett-USA.com
info@separett-USA.com
800.682.8619

Shop at www.separettstore.com
Videos at Youtube channel Separett USA



**Odorless
Concealing
view screen**

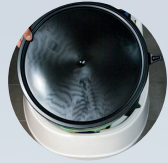
**Low operating
cost**

12V/120V



Concealing view screen

Conceals the waste in the toilet and cleverly moves aside when you're seated.



Emptying waste container

Solid waste is easily removed in the compostable liner bag, average time of 3 weeks for full time use. Urine waste is plumbed to the grey water system.



AC or DC power

The Villa 9215 ventilation will operate on AC or DC power and is supplied with cables for both.

VILLA 9215

Art. no 1255-01

**Toileting solution
for on or off grid
living**

liner bag periodically for composting, incineration or proper disposal- it's as easy as taking out the kitchen trash

This is included in delivery: Vent. pipe 1.3 feet, vent. grid, escutcheon plate, 90° bend, rain cap, 1 waste container with 1 lid, 10 compostable waste bags, 6 ft urine drain hose, silicon, screws for fitting

Material Upper/lower sections: high impact, high gloss polypropylene

Seat High gloss polypropylene

Inner bucket/cover Polypropylene - all materials can be recycled

Voltage/Wattage 12 DC/25 W/210 mA

Energy Consumption 0.06kWh/24 hrs

Electricity Connection AC adaptor or battery cable, 6 1/2 feet

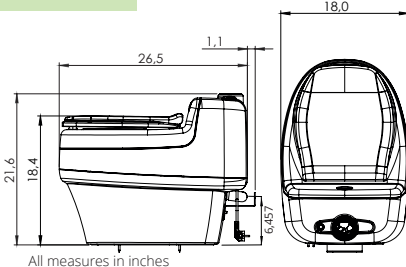
Max weight 24 stone

Dimensions

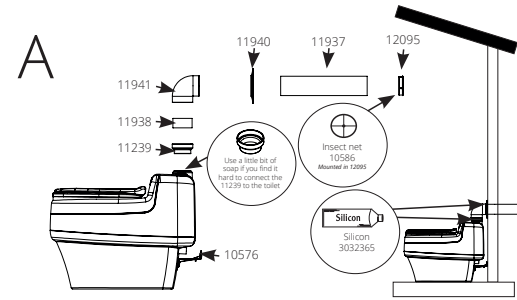
Ventilation pipe: Ø 2.95 in
Urine drain: Ø 1.26 in

WARRANTY 5 YEAR

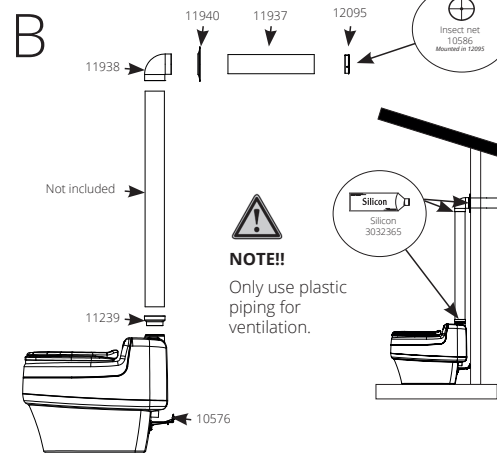
The 5-year warranty does not include the fan. The fan has a 3-year warranty.



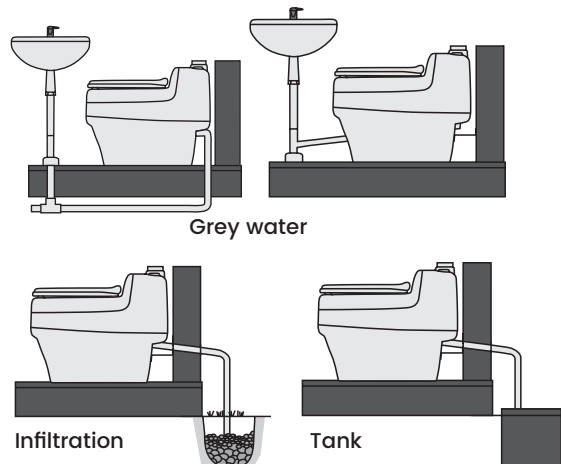
Installation - Ventilation options



Example B: If choosing to exit the vent farther up the wall as in example B, use 3 inch schedule 40 PVC tubing to achieve the additional lengths required. Our fittings are compatible with the exterior dimension of the schedule 40 PVC. (a note: printing on PVC tubing can generally be removed with rubbing alcohol)



Installation - Drainage options



AC or DC power

Weekend 7210

Art. no 1214-01

The Weekend toilet works on the same urine diverting principles as our Villa model, without mechanical features. It's dimensions can allow for tighter space installations where the Villa may be too deep. Please confer with our staff regarding the design and features. Will operate on both AC or DC power.



PRIVY 501

Art. no 1121-03
With folding seat

PRIVY 500

Art. no 1011-03
With styrofoam seat

Separrett Privy is a urine-separating set that can easily be fitted in to an existing outdoor loo. It provides easier handling of residual waste and it makes it fresh and clean. Thanks to the urine-separating all the smells practically disappear, the waste becomes appreciably smaller and the number of times it is emptied is fewer.

**Mobile Comfort,
Wherever you need to go**



RESCUE CAMPING 25

Art. no 165-011

The Rescue toilet is easily taken with you in its carrying bag wherever you may trek or wander. Great for full carryout camping areas as the waste is captured in a compostable bag. Urine is drained to a carrying container (not supplied) or into the ground.