



Users Guide And Owner's Manual

THE INFORMATION IN THIS OWNER'S MANUAL IS IMPORTANT TO YOUR SAFETY AND PROPER USE. READ THOROUGHLY BEFORE RIDING FOR THE FIRST TIME.

Always wear a helmet, it could save your life.



WARNING

- Engine is Shipped Without Oil
- Make sure that the Bicycle selected has Adequate Brakes, Stopping is a Must.
- Installation Be done by a professional or mechanically inclined.

Failure to adhere to the directions in this guide could cause serious injury or death. Failure to adhere to the directions in this guide could also stop the bike from working correctly.

The information within this guide is vital. It has to be read by every rider prior to riding a Ghost Racer bike for the very first time. Always follow the directions and safety instructions outlined within this guide. This guide must stay with the bike when the bike is transferred to some other owner. Don't discard this operator's manual because it has to be reviewed by every rider before their operation of the bike. If a minor is operating the bike, it's the obligation of the minor's guardian to make certain that the minor understands the information within this manual. Ghost Racer products aren't intended to be used by minors. Check local law enforcement for bicycle compliance along with all legalities. Legislation will differ from state to state and county to county.

This guide includes the most recent product information available prior to printing. You could see the latest version of the operator's guide online at www.gasbike.net Thanks to product improvements or manufacturing changes, there may be discrepancies between the information included in this owner's manual and real product specifications. Ghost Racer by GasBike.net reserves the right to make modifications to its products at any time without any notice and with no obligation to create the exact same or similar modifications to any vehicle previously sold or built.



Congratulations on the purchase of your Ghost Racer bike.

We hope this bike will serve you well for years while having fun and Phat moments. Ghost Racer by Gasbike.net is dedicated to providing you with an exceptional experience. If you are not happy with your bike, don't return it! Instead, contact GasBike.net at (877) 345-3733 or sales@GasBike.net, and our customer support team will assist you to the best of our abilities.

Owning and Operating a Gas Powered Bicycle requires Maintenance and Service, the information in this manual will be understood best by our customers who are mechanically inclined. If you ever have questions about servicing or maintaining your Ghost Racer bike, reach out to GasBike.net customer service for help and assistance. We want to provide the best Ride and customer service experience possible.

Congratulations again and always wear a HELMET.

Table Of Contents

Laws and Regulations	4
Safety and Warnings	5
Assembly	7
Install The Motor	8
Install the Clutch	8
Install the Transmission	9
Mount Rear Wheel Sprocket	9
Connect Motor Chain	9
The Kill Switch Wiring	10
Connect the Throttle Cable to Carburetor	11
Wide Cranks	12
Install the Pedals	12
Maintenance Requirements	13
Maintenance / Fluids	14
Gasoline	14
Engine Oil	14
Maintenance Procedures	17
Changing Engine Oil	17
Cleaning and Servicing the Air Filter	18
Your First Ride - Starting and Stopping	19
Troubleshooting	21
Engine Will Not Start	21
Engine Not Running Good	22
LIMITED WARRANTY	23
Parts List	26
Engine Specs	27
Engine Parts List	28

Laws and Regulations

It's the duty of all riders of this Ghost Racer engine kit to be acquainted with and fully comply with regulations, rules, and regulations governing the operation of the Ghost Racer. Laws vary by jurisdiction. Ghost Racer by Gasbike.net does not have any obligation or liability for those expenses to comply with any applicable laws and regulations or to get bike damage or human injury caused by an operator or owner's inability to adhere to all applicable regulations and laws. These laws include, but Aren't limited to:

- Vehicle Operation Laws: It's illegal to run this off-road bike on public roads, streets, and highways. It's illegal to run this bike under the influence of alcohol or drugs, even on personal property. Other automobile operation laws may apply in your region. Vehicle Title &
- Registration Laws: You might want to name or enroll your bicycle with a couple of municipal or state government agencies. You're solely responsible for titling or registering for your Ghost Racer and for all associated expenses.
- Vehicle Modification Laws: Don't alter your bicycle or join aftermarket accessories. Changes to the carburetor and drainage systems are a breach of this regulation and therefore are subject to prosecution from the Environmental Protection Agency. Modification will void any guarantee covered by Ghost Racer by Gasbike.net.
- Vehicle Maintenance Laws: Consistently follow all appropriate vehicle maintenance legislation, including, but aren't restricted to, legislation regulating the disposal and handling of dangerous and flammable materials like gas and oil.

Operating a Motorized bicycle involves some risk of injury. Buyer accepts responsibility for any and all vehicle operation that may lead to personal injury economic loss, social distress, other losses, costs and damages.

Safety and Warnings

The Ghost Racer bicycle has the capability to cause severe harm or death. Even though the dangers related to riding a motorized bike can never be removed entirely, following all of the directions found in this guide will decrease the possibility of injury to the operator as well as others. Any riders of this Ghost Racer bike must always review and adhere to the directions outlined within this guide. It's not feasible to warn the motorized bike operator or owner of all probable dangers related to operating and maintaining a Ghost Racer. All operators need to exercise good judgment in operating and maintaining the motorized bicycle. Ghost Racer by Gasbike.net does not have any obligation or liability for motorized bike injury or personal injury caused by an owner or operator failure to safely operate or service the bikes.

- **WARNING:** Never let children under the age of 18 to ride the Ghost Racer bike. The Ghost Racer by Gasbike.net is intended for riders that are 18 or older. Riders younger than age 18 shouldn't operate the motorized bike.
- **WARNING:** Never let unsupervised or unqualified minors to ride on the bike. If the operator of the Ghost Racer by Gasbike.net is a minor, the rider's protector is responsible 1) for making sure the rider matches the physical and developmental levels required to safely ride the bicycle and two) for supervising the little while he or she's riding the motorized bike.
- **WARNING:** Always wear protective safety gear whilst riding the Ghost Racer. Protective safety equipment includes, but is not restricted to, a Department of Transportation approved ab bike helmet with a chin strap, goggles, gloves, boots, long riding pants with hip and knee pads, and a long sleeved riding jersey using chest, elbow, and shoulder pads.
- **WARNING:** Always guard hair whilst riding the motorized bicycle. Loose hair has the potential to get caught in the Ghost Racer. Always maintain hair tightly fastened while operating the bike.
- **WARNING:** Never operate the bike under the influence of alcohol or drugs. The usage of drugs or alcohol will inhibit the rider's capacity to security operate the motorized bicycle.
- **WARNING:** Never run the Ghost Racer with a passenger. The Ghost Racer bike was created for one rider at a time.
- **WARNING:** Never ride the Ghost Racer bike at night. The bicycle is not equipped with lighting.

- **WARNING:** Never ride the Ghost Racer bicycle if it isn't in proper riding state. Always inspect your aerodynamic bike before you journey to be certain it is in appropriate riding state. In case you have any sign your aerodynamic bike isn't functioning properly, quit riding instantly. Locate another procedure of transport. As soon as you're back to security, check with the Maintenance Procedures and Troubleshooting sections of the manual to support your aerodynamic bike.
- **WARNING:** Always practice good judgment whilst riding on the Ghost Racer bike. It's the obligation of the owner of the motorized bike to utilize sound judgment in the performance and application of the motor vehicle. Ride within your ability level at rates that are comfortable. Be wary of possible dangers and hard terrain. Exercise extra care in wet or muddy riding conditions. Always keep both feet and hands onto the handlebars and pedals. Don't brake or speed while turning. Don't try suggestions or stunts or move off jumps.
- **WARNING:** Never run the Ghost Racer within an enclosed area with inadequate ventilation. The motorized bikes exhaust gas includes poisonous carbon dioxide that can collect rapidly in an enclosed region and cause death or illness. **WARNING:** Never alter the Ghost Racer or join aftermarket accessories. Modifications and after-market accessories decrease the rider's capacity to ride and control the aerodynamic bike securely. Ghost Racer by Gasbike.net isn't responsible for any harm or harm due to any accessory.
- **WARNING:** Always execute the essential maintenance on your car or truck. Attempting to do essential maintenance on your vehicle could lead to harm or deadly injury to the operator or other people.
- **WARNING:** Always exercise caution whilst still servicing the Ghost Racer bike. Doing most maintenance processes on the aerodynamic bike entails handling potentially harmful and flammable materials like oil and gas. Recognize the threat that harm could potentially happen as you're servicing your Ghost Racer and consistently use good judgment. Wear the required protective equipment. Keep cigarettes and fires from your Ghost Racer. If you're uncomfortable with all the risks, consult with a Licensed Ghost Racer Service Center to execute maintenance activities for you.
- **WARNING:** Never do maintenance on the automobile whenever it's running. To decrease the probability of potential injury or burns from hot or moving parts, constantly make certain that the engine stop button and the gas valve lever will be equally at the off position prior to doing maintenance on your own aerodynamic bike. Never touch any one of those Ghost Racer components while the aerodynamic bike is operating.
- **WARNING:** Always wash hands after handling the Ghost Racer. Certain elements of the item and bundle contain chemicals known to the State of California to cause cancer, birth defects, or other reproductive harm.

Assembly

Now that your Ghost Racer is here, Let's put this bad dude together. GasBike.net recommends a professional to assemble and check your motorized bicycle.

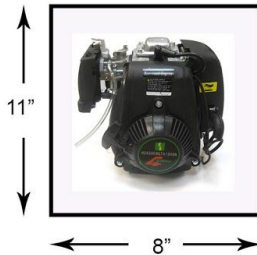
First remove the Ghost Racer from the box and remove all zip ties and plastic protective packaging.

Selecting a Bicycle

Picking the right bike is essential, must have room in the frame to accommodate the engine. Also make sure that the bike has brakes capable of stopping. We suggest front and rear hand brakes, disk brakes are recommended. 2 Type of Frames are recommended, Beach cruiser bikes and Mountain V frame bikes. The engine when installed with the mounting plate will need at least 11" X 8" to install.



Beach Cruiser Frame



Mountain Bike V Frame



Install The Motor

Bolt the motor (#1) to the mounting plate (#6) loosely, then install on the bike. The mount is designed to slide back and forth. Its best to slide the motor as far forward and as low as possible to leave room for the carburetor air filter, and allow access to the choke lever. Keep in mind that the choke lever is plastic and could break, install with care. Tighten all bolts when desired location is achieved.

Install the Clutch

Rotate engine so the keyway is facing up. Locate the keyed opening on the clutch pack , place the Clutch (#3) on the shaft. Secure the clutch with the bolts and washers.

Install the Transmission

Place the Transmission (#4) on the motor (#1) The clutch will fit in the big hole, secure the transmission to the motor with the 4 bolts provided. Belt tension can be adjusted by using the Belt tightening tool (#15) and tighten the 4 bolts that secure the transmission gear to the transmission.

Mount Rear Wheel Sprocket

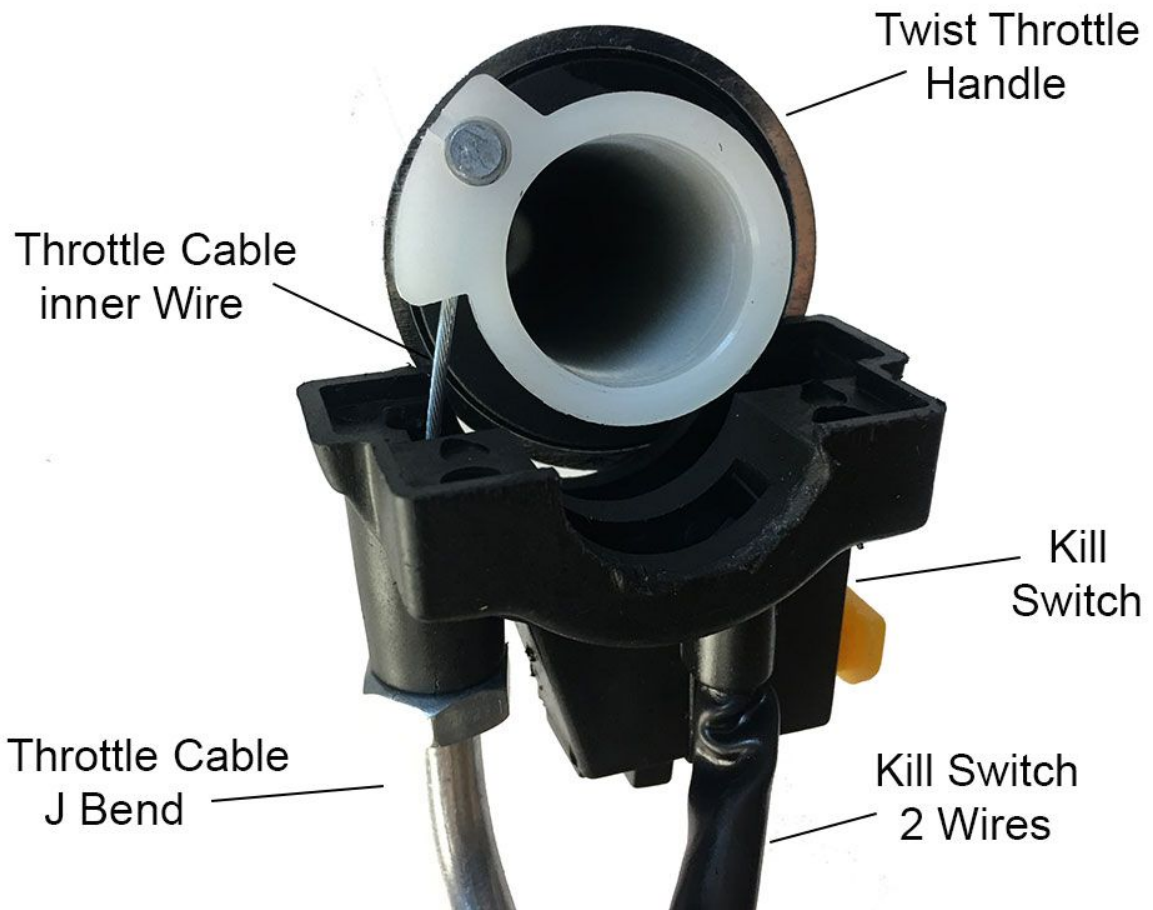
Can only be installed on a 36 spoke wheel.

The 9 Hole sprocket is probably the most frustrating part of the installation, sometimes it's best to do this first. Remove the rear wheel. If the wheel has a coaster brake, the brake arm will have to be removed. Take care not to rotate the shaft as this will loosen the bearing races. Now Grab your rear wheel pineapple assembly (#7). Cut a slit between to holes on the rubber doughnut, this one is placed inside the wheel around the hub. Place the 9 bolts in the sprocket first, then through the other rubber doughnut. Install 3 Metal brackets, then washer, Lock washer and nut.



Connect Motor Chain

The 415 chain (#16) that connects the clutch off the rear wheel is 110 links long, it may need to be cut to fit some bikes. Remove masterlink and wrap the chain around the clutch 10 tooth gear and the rear wheel sprocket. Measure and cut chain to size. Reinstall the 415 master link. Use the supplied chain tension to remove any excess slack.

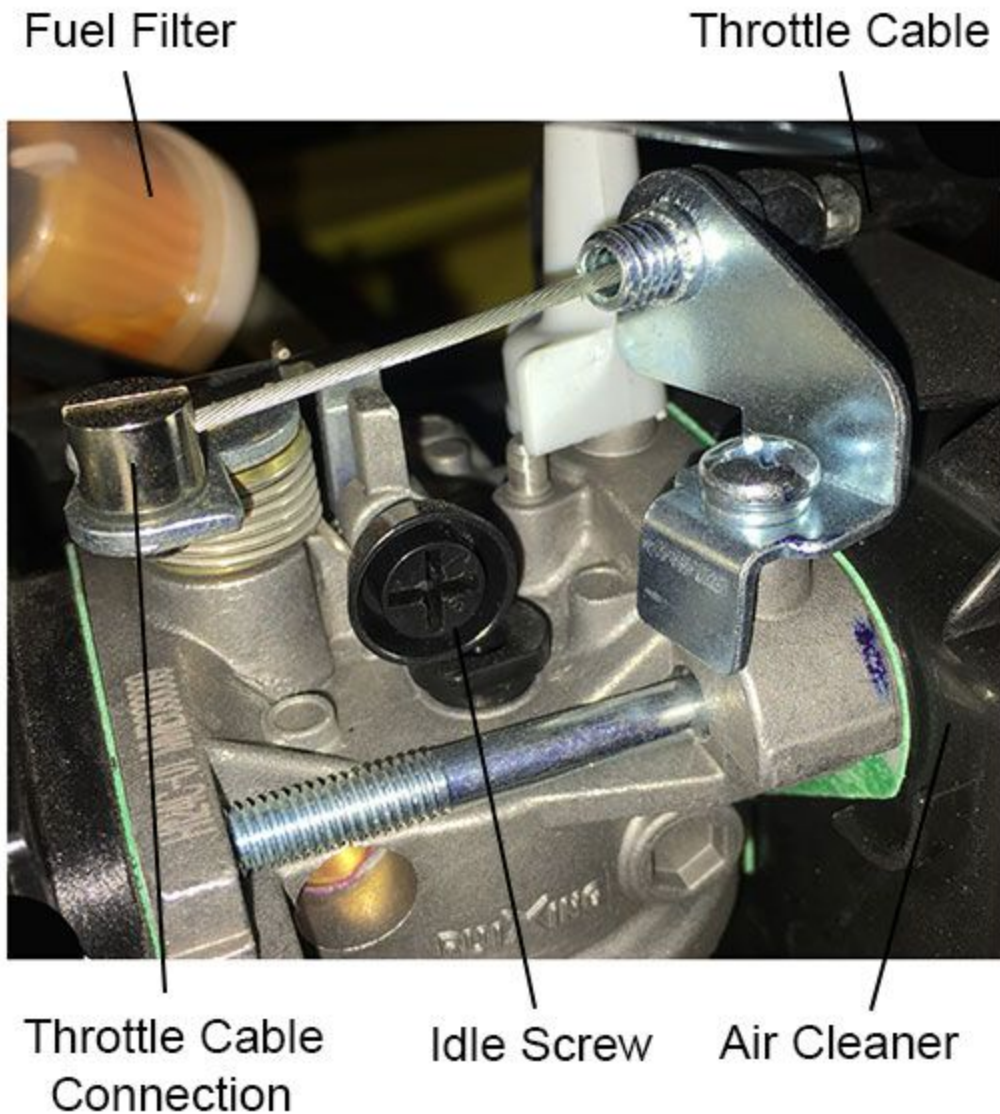


Install the Throttle and Kill Switch

Unscrew the two philips head screws on the throttle with the kill switch (#13). Kill switch will split in two. Screw in the J bend part of the throttle cable into the bottom of the kill switch and secure with the attached nut. Route the inner wire through the kill switch so it can be hooked up to the twist throttle handle. Place cable end in the handle like shown in the picture. If the upper half of the kill switch has a secure nub, a hole will have to be drilled into the handlebars to keep the throttle from twisting. Slide the throttle on the bars and tighten the 2 screws.

The Kill Switch Wiring

The Kill switch (#13) will have 2 wires that come off the unit on the handlebars. One wire will be used to ground out the motor. Wire under the ground bolt on the motor. The other wire connects to the wire on the motor. Color does not matter, either wire can be used.



Connect the Throttle Cable to Carburetor

Route the throttle cable from the handle to the left, the cable will enter from the air cleaner side of the motor, usually a 180 degree turn. Route the inner wire through the adjustable cable bracket on the carb (see picture above), then run the cable end in the slot in the throttle cable connection.

Wide Cranks

Because of the width of the the motor the use of wide cranks is needed. The cranks are a standard square taper bottom bracket. If the cranks that came on the bike are one piece, a square taper bottom bracket will need to be used (not included).



Install the Pedals

Pedals installed on the wide cranks provided in the kit use a 9/16" Pedal size. The pedals will have a R or a L stamped on them, they indicate which foot will touch it when seated on the bike. Screw the Right pedal on the the side where your right foot would be, use a 15mm Wrench to tighten. Pedals will always screw in a forward direction. Do the same with the left on the left side.

Maintenance Requirements

Maintenance requirements are a normal part of owning and operating a motorized bicycle. The operator of the Ghost Racer by Gasbike.net is responsible for properly maintaining the vehicle and for understanding when and how the motorized bicycle must be serviced. The exact timing in which maintenance procedures must be performed will vary based on the type of maintenance, riding conditions, and riding frequency. The maintenance procedures outlined in this manual are simply guidelines for how and when to perform basic maintenance procedures. Other than the procedures referenced in this manual, there are many other more complicated maintenance procedures which will need to be performed on your Ghost Racer during your ownership of the product. Failure to properly maintain your vehicle could prevent the motorized bicycle from operating properly and could also result in harm or fatal injury to the rider or others. Ghost Racer by Gasbike.net has no responsibility or liability for the costs to properly maintain the vehicle (unless explicitly covered by warranty) or for motorized bicycle damage or human injury resulting from an owner or operator's failure to service and maintain the Ghost Racer properly.

Maintenance / Fluids

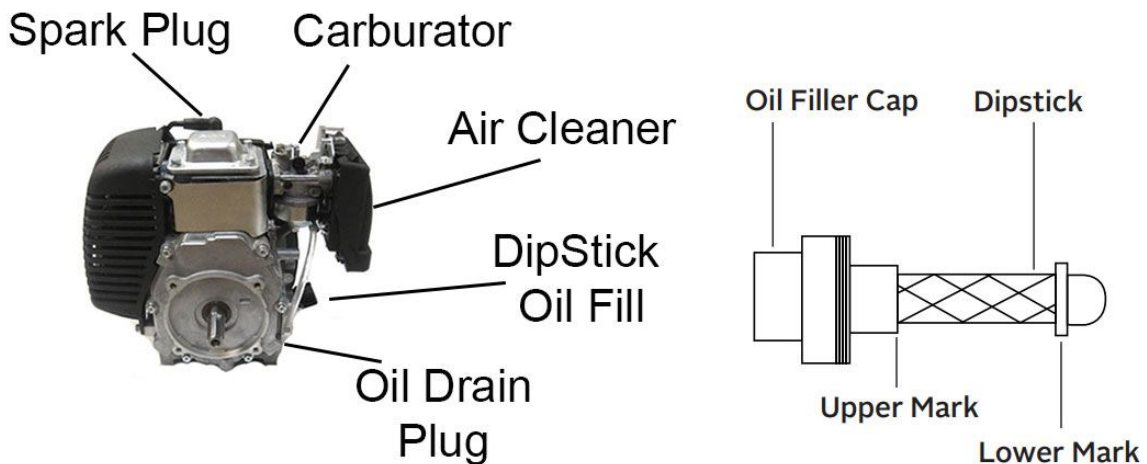
Before your first ride, fluids will have to be added to the Ghost Racer (not included).

Gasoline

Use only 87 or Higher octane pump gas. Do not use fuel additives, will void your warranty. Do not fill tank all the way to the top, leave some room to avoid splashing. Always add fuel when the motor is off, adding fuel to a running motor could lead to harm or fire. Only add fuel to bike frame tank only.

Engine Oil

Only check oil level when the motor is sitting level. Unscrew dipstick remove, wipe and re-insert, check level. Add oil if necessary, do not overfill. 10w-30 motor oil is recommended for most all temperature use.



Maintenance Schedule

Scheduled inspection and adjustment of the engine is essential if a high level of performance is to be maintained. Regular maintenance will also provide a long service life, and help maintain vehicle safety. The required service intervals and the kind of maintenance to be performed are described in the tables below.

WARNING

- Shut off the engine before performing any maintenance.
- To prevent accidental start up, turn off the engine switch, Fuel Valve and disconnect the spark plug.
- The engine should be serviced by your dealer unless the owner has proper tools and service data and is mechanically qualified.

Maintenance Schedule					
Task	Every Use	1st 20 Hours 1 Month	Every 50 Hours 3 Months	Every 100 Hours 6 Months	Every 300 Hours Yearly
Check Fuel Level	X				
Check Oil	X				
Check/Lube Chain	X				
Check all Bolts for Tightness	X				
Check Brakes	X				
Check Throttle	X				

Maintenance Schedule

Task	Every Use	1st 20 Hours 1 Month	Every 50 Hours 3 Months	Every 100 Hours 6 Months	Every 300 Hours Yearly
Change Engine Oil		X		X	
Check Air Cleaner	X				
Clean Air Cleaner			X		
Replace Air Cleaner					X
Check Spark Plug Gap / Clean				X	
Replace Spark Plug					X
Change Fuel Filter / Clean Tank					X
Fuel Supply Line					X

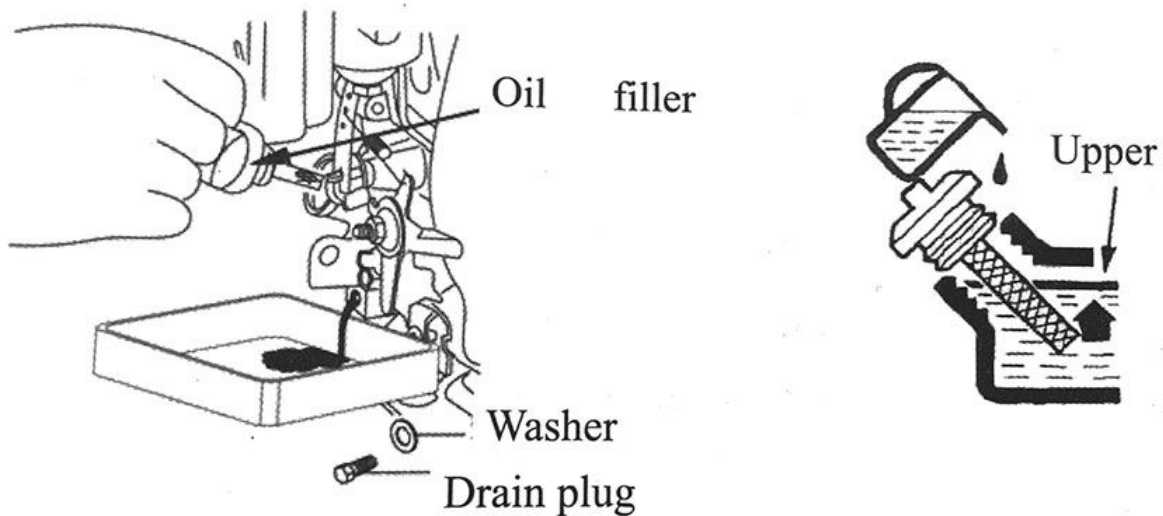
Maintenance Procedures

Changing Engine Oil

A hot or warm engine will help drain the oil in the crankcase rapidly and entirely. Use caution when working on a warm or hot engine.

- Remove the oil filler cap and drain plug to drain oil entirely
- Reinstall the drain plug and screw in securely.
- Make sure engine is level before filling.
- Fill engine with to specified level indicated on the dipstick.
- Reinstall the filler cap

Engine oil capacity is 0.3L and use the recommended oil 10w-30 (for most moderate temperature areas).



Caution

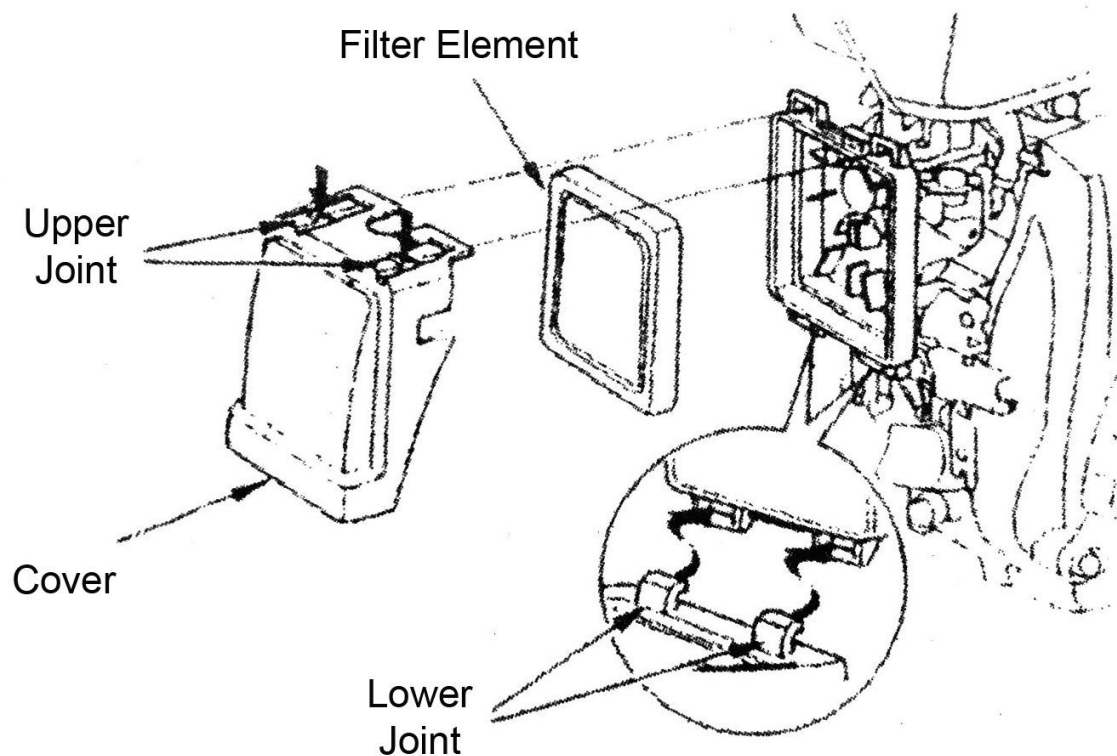
extended contact with engine oil may cause skin cancer, wash hands immediately after handling oil. Do not dump oil or discard in the trash.

Collect in a container and bring to a local recycling station, for the sake of the environment.

Cleaning and Servicing the Air Filter

Wipe off any loose dirt before starting. Never Run Engine without the Air Cleaner. Rapid engine wear will occur.

- Set the fuel valve on the engine to the off position.
- Press down on 2 tabs at the Upper Joint
- Remove Cover and Filter Element.
- Wash in non flammable solvents. Squeeze out any excess fluid.
- Reinstall The Cover.



Your First Ride - Starting and Stopping

Now here comes the really fun part, but before you get the wind in your face, there is a couple of safety checks first.

Getting your Ghost Racer ready to ride

1. Check the bike over thoroughly, look for loose bolts, nuts, damage, proper tire inflation, Tight handlebars. It's always a good idea to pedal the bike around for a little bit to make sure the steering and brakes function properly.
2. Make sure fuel and oil is at operating levels (see fuel and oil section)
3. Wear proper safety gear (D.O.T approved helmet, proper footwear, eye protection, ect.). Wear proper clothing that would protect you against any mishap.

Breaking in your Ghost Racer

To prolong and protect your new engine, break in your Ghost Racer. This means to take it easy on it for the first 20 miles. Avoid using full throttle and starting from a dead start, pedal a little at first, then gas it. This will allow your motor to break in and extend its life.

Starting your Ghost Racer

After performing you complete bike inspection and putting on your safety gear, it's time to ride.

1. Slide the Motor switch to run Position (if hooked up).
2. Slide the Choke lever to the Start position.
3. Make sure the fuel valve is open.
4. Using the pull start, in a smooth motion, Pull the ripcord multiple times till the engine fires.
5. Slide the choke to the run position

Riding your Ghost Racer

The Ghost Racer rides like a bicycle, rider must be able to ride and balance a bicycle.

To Go

Use the right hand twist throttle to accelerate, let off the throttle to slow down. Twist toward the rider to give it gas, the opposite to decelerate. Just like most motorcycles or scooters. It's a good idea to pedal a little before taking off. Keep your feet on the pedals when ever the bike is in motion. Make sure they are square on the pedals.

To Stop

Let off the throttle or twist it away from the rider (forward) and at the same time apply the hand brakes. Using both brakes at the same time will make the bike stop sooner. The more pressure is applied the harder the bakes will make you stop. Remember to let off the gas at the same time, it will not stop if you are still giving it gas. When you come to a complete stop put down your feet to not fall over.

Troubleshooting

If you are having issues with your Ghost Racer, please refer to the troubleshooting steps below. If you have completed all of the troubleshooting steps and your motorized bicycle is still not running properly, contact Ghost Racer by Gasbike.net at (877) 354-3733 or sales@gasbike.net or take your motorized bicycle to an Authorized Ghost Racer Service Center. Remember, always feel free to contact Ghost Racer customer service with any questions and our customer support team will assist you to the best of our abilities.

Engine Will Not Start	
Problem	Solution
Engine Fuel Shut Off Valve Closed	Open Fuel Valve to let fuel into carburetor.
Frame Fuel Shut Off Valve Closed	Open Fuel Valve to let fuel into carburetor.
Out of Gas	Add Fuel to Tank (see Maintenance/ Fluids)
Start / Kill switch wire is disconnected	Make sure the 2 wires are connected. Black to ground on motor, green to the engine.
Engine Start / Kill Switch is Off	Push the Start / Kill switch button to the start position.
Choke in the Run Position	Move choke lever to the Start position, start engine then switch to the run position.
Spark Plug or Wire Damaged or Disconnected	Plug wire back on spark plug, if damaged it would need to be replaced. Call customer service for support.

Engine Not Running Good

Problem	Solution
Choke lever in the Start Position	Slide choke lever to Run position, Start only used while starting.
Incorrect oil level	Check oil level. (see adding Fluids)
Poor or Contaminated fuel	If bad gas is in the tank, it must be drained. No oils or fuel additives are required. Use only fresh gas.
Low Tire Pressure	Inflate tires to suggested P.S.I that is written on the tire itself. Never over inflate
Dirty Air Filter	Air filter can be serviced and cleaned.
Fuel Valves not fully open	Make sure both valves are open all the way
Spark Plug Fouled or Gap issue	Check plug to see if it is fouled or needs to be re-gaped.

LIMITED WARRANTY

WHAT IS COVERED

Ghost Racer warrants only to the original retail purchaser of this product that this product is free from defects in material and/or workmanship for a period of ninety (90) days from the date of purchase. At Ghost Racer's sole discretion, Ghost Racer agrees to either repair, provide replacement parts for, or replace without charge, any product or component having a material defect, except as limited below. Ghost Racer may require the purchaser to return to Ghost Racer, at the purchaser's expense, the part(s) or product component(s) claimed to be defective for Ghost Racer's inspection and sole determination of defect. At that time, the returned part(s) or product component(s) become the property of Ghost Racer and will not be returned. This product is also covered by an Emissions Control System Warranty which is separate from and in addition to this warranty.

WHAT IS NOT COVERED

This warranty does not cover any conditions caused by misuse, neglect, negligence, accident, or operation in any way contrary to the operating instructions located in the owner's manual. Damage to the product resulting from normal wear and tear, alteration or modification of the product, improper or inadequate maintenance, use of unauthorized replacement parts, or service provided by anyone other than an Authorized Ghost Racer Service Center is not covered under this warranty. This warranty does not cover minor surface blemishes, rips, tears, or other cosmetic damages due to normal use, or due to intentional or unintentional damage to the product. This limited warranty will not cover any damage which results from the application of improper cleaners, solvents, or chemicals to the product, from smoke or soot, or from exposure to saltwater, sea breeze, or salt. This limited warranty will not cover any

damage resulting from storing the product with exposure to the elements. Without limiting the above, this warranty is void with respect to any product that has sustained damage resulting from impacts, accidents, or uses considered by Ghost Racer by Gasbike.net to be outside of the scope of normal and safe operation, including, but not limited to, performing tricks, stunts, or jumps.

LIMITATIONS OF LIABILITY

This warranty is non-transferable after the product's initial sale. Any unapproved modifications to the product or its performance will void this limited warranty. This warranty does not cover products used for rental or commercial purposes, nor does it cover products used in competition. This limited warranty covers only the cost of replacing and/or repairing parts which have a manufacturer's defect in material or workmanship. This warranty does not cover the cost of transportation, towing, lost time, inconvenience, or any incidental or consequential damages of any type. This limited warranty does not cover costs resulting from improper repairs or misdiagnosis of problems. Except with respect to the emissions control system warranty required by the Environmental Protection Agency, Ghost Racer by Gasbike.net makes no other warranty of any kind, express or implied. All implied warranties of merchantability and fitness for a particular purpose which exceed the obligations and time limits stated in this warranty are disclaimed and excluded from this warranty. You may have additional or different rights under your state's laws.

OWNER'S RESPONSIBILITIES

As the motorized bicycle owner, you are responsible for ensuring all required maintenance is performed on your product. You are also responsible for maintaining a record of and all receipts for maintenance performed on your product. Your warranty claim may be denied solely due to your failure to ensure the completion of all scheduled maintenance or keep the maintenance records or receipts.

KEEP YOUR RECEIPT

Proof of purchase will be required to substantiate any warranty claim. As the motorized bicycle owner, warranty coverage may be denied if your Ghost Racer by Gasbike.net or one of its parts has failed due to abuse, neglect, improper maintenance, or unapproved modifications.

EMISSIONS CONTROL WARRANTY

WHAT IS COVERED

Ghost Racer by Gasbike.net warrants to the initial retail purchaser and each subsequent purchaser of this vehicle that the vehicle's new engine, including all parts of its emissions control system, meets two conditions:

1. It is designed, built, and equipped so it conforms at the time of sale to the initial retail purchaser with the requirements of the Environmental Protection Agency (EPA).
2. It is free from defects in materials and workmanship that may keep it from meeting the requirements of the EPA.

This emissions control warranty is valid for 30 months from the date the vehicle is sold to the initial retail purchaser. The emissions control system warranty covers all components whose failure would increase an engine's emissions of any regulated pollutant, including components listed in 40 CFR part 1068, Appendix I (published by the EPA), and components from any other system designed to control emissions. The emissions control warranty does not cover components whose failure would not increase an engine's emissions .

WHAT IS NOT COVERED

Warranty claims will be denied if the vehicle operator caused the problem through improper maintenance or use, as described in 40 CFR 1068.115. (published by the EPA)



Parts List

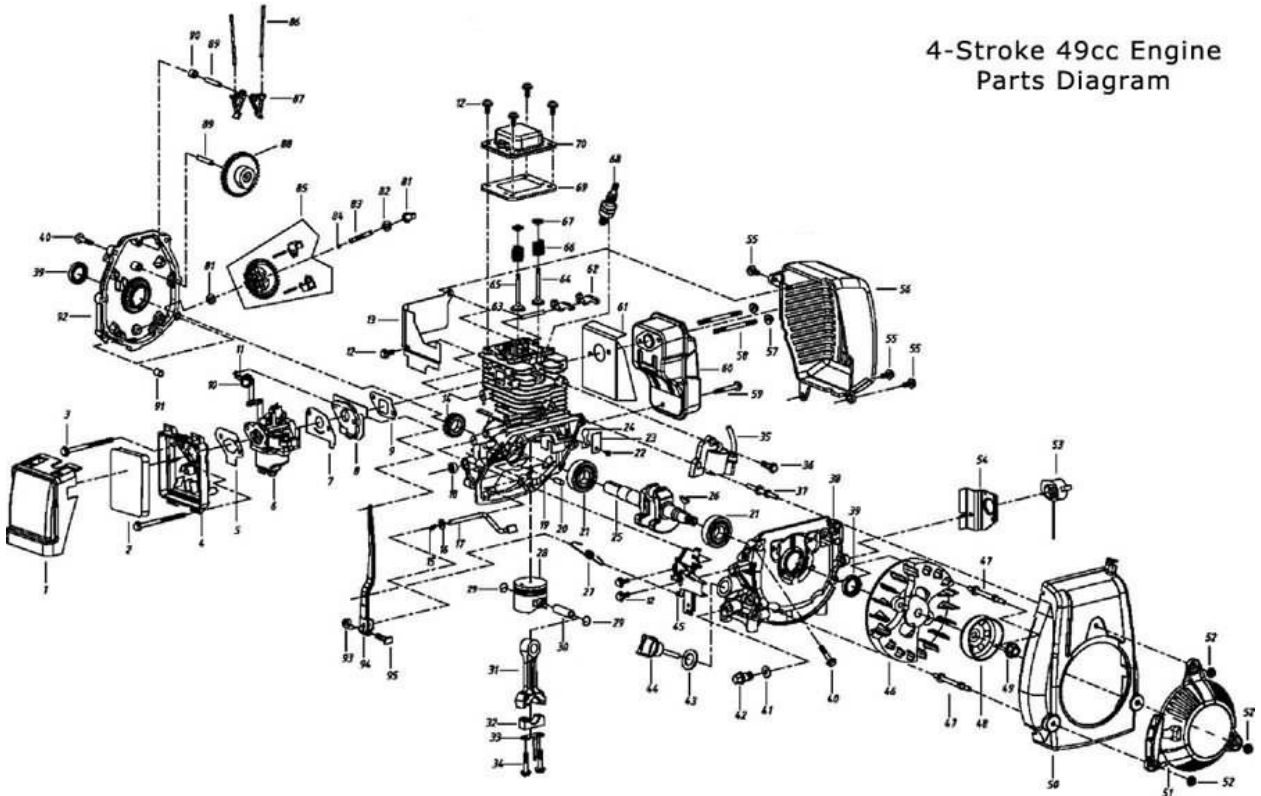
Part Number	Part Name
1	49cc HuaSheng Motor
2	Transmission Cover
3	Centrifugal Clutch
4	Transmission
5	Gas Tank
6	Engine Mounting Plate
7	Rear Wheel Pineapple Bushing
8	Sprocket
9	Chain Tensioner
10	Gas Tank Fuel Valve
11	Fuel Filter
12	Wide Cranks
13	Throttle / Kill Switch
14	Throttle Cable
15	Belt Tightening Tool
16	415 Chain with Master Link
17	Chain Guard

Engine Specs

Engine Type:	Air-cooled 4-Stroke OHV Single Cylinder HuaSheng 49cc
Certification:	EPA / CARB Approved
Maximum Horsepower:	1.5 KW / 2 HP / 6800
Displacement:	49cc
Shaft:	5/8" Straight Shaft Keyed
Bore x Stroke:	41.8 X 35.8mm
Compression Ratio:	7.4:1
Engine PTO Rotation	CCW
MAX RPM no Load:	7500 rpm
Starting System:	Recoil
Spark plug / Gap:	255 / Gap : 0.6-0.7mm
Fuel Type:	87 Octane Gasoline
Speed	Up to 25 mph
Range	100 miles full tank
Engine Oil Type/Amount:	SAE 10W30w 20 oz
Crankcase oil volume	0.25L
Air Filter:	Washable Foam
L x W x H:	9.5 x 11 x 9 inches
Dry Weight:	7.5kg / 16.53 lbs
Output Shaft Length:	33.5mm / 1.3 1in
Output Shaft Diameter:	5/8 in Keyed Shaft
50 State Compliant	EPA / CARB

Engine Parts List

4-Stroke 49cc Engine
Parts Diagram



Ghost Racer Engine Parts List

NO.	Part NO.	Part Name	Qty.	NO.	Part NO.	Part Name	Qty.	NO.	Part NO.	Part Name	Qty.
1	HS9001.1.2-1	Cleaner Outside Cover	1	24	142F.13.1-2	Link Lever Cover	1	50	142F-7	Double-Edged Bolt	2
2	142F.1-2	Filter Net	1	25	142F.13.1-3	Shift Fork	1	51	GB5789	SCREW M5 × 35	1
3	GB5789	SCREW M5 × 75	2	26	GB5789	SCREW M5 × 25	2	52	142FL-1.1	Muffler	1
4	142F.1.1	Cleaner Inside Cover	1	27	142F.11-1	Ignition Stator	1	53	142F-8	Muffler Baffle	1
5	142F-3	Gasket	1	28	GB5789	SCREW M5 × 20	1	54	142F.9.1	Rocker	2
6	142F-1.1	Carburetor	1	29	142F-15	Screw2	1	55	142F.9-9	Rocker-shaft	1
7	142F-4	Gasket	1	30	142F-22	Case	1	56	142F.9-7	Exhaust Valve	1
8	142F-5	Admitting Pipe	1	31	142F.12	Oil-Seal	2	57	142F.9-8	Incoming Valve	1
9	142F-6	Gasket	1	32	GB5789	SCREW M5 × 25	1	58	142F.9-1	Valve Spring	2
10	GB5789	SCREW M5 × 12	5	33	142F-12	Screw Gasket	1	59	142F.9-2	Valve Spring Seat	2
11	142F-16	Guide Cover	1	34	142F-11	Screw	1	60	TORCH A5RTC	Spark Plug	1
12	142F.9.3	Cylinder	1	35	142F-10	Seal	1	61	142F-20	Gasket	1
13	GB/T119.1	Pin 6 × 12	2	36	142F-9	Oil-Scale	1	62	142F-17	Cover	1
14	139F-21	Board	1	37	142F.11-2	Magneto Rotor Comp.	1	63	142F.15-2	Gear Washer	1
15	GB/T818	SCREW M3 × 5	1	38	142F-14	Screw1	2	64	142F.15-3	Gear Pin	1
16	142F.9-10	Seesaw	1	39	142F-15	Screw2	1	65	GB/T 895.2	Gasket 4	1
17	142F.9-11	Reed Valve	1	40	142F-21	Start Reel	1	66	142F.15.1	Timing Gear	1
18	142F.14-1(15.8)	Crank Shaft	1	41	GB/T6177.2	NUT M10 × 1.25	1	67	142F.9-3	Valve Pole	2
19	GB/T1099	KEY 3 × 5 × 13	1	42	142F.10	Magneto Cover	1	68	142F.9-4	Valve Pillar	2
20	1E40F-03.02.01	Ring	2	43	142F.8	Starter	1	69	142F.9.2	Cam Wheel	1
21-1	142F.13-1	Piston	1	44	GB/T6177.1	NUT M5	3	70	142F.9-6	Long Pin	2
21-2	142F.13-2	NO1.Piston ring	1	45	142F.7.1	Stop Button	1	71	142F.9-5	Stecve	1
21-3	142F.13-3	NO2.Piston ring	1	46	142F.7.2	Fixing Board	1	72	1E40F-02.00.35	Pin	2
21-4	142F.13-4/5	Oil-Ring	1	47	GB5789	SCREW M5 × 16	3	73	142F.15-1(15.88)	Side Cover	1
22	142F.13-6	Piston Pin	1	48	142F.4A	Muffler Cover	1	74	EB-650-9	Sign	1
23	142F.13.1-1	Link Lever	1	49	GB/T6187.1	NUT M5	2	75	142F.1-3	balance windpipe	1



GasBike.net
15825 Stagg Street
Van Nuys, CA 91406
(877) 354-3733