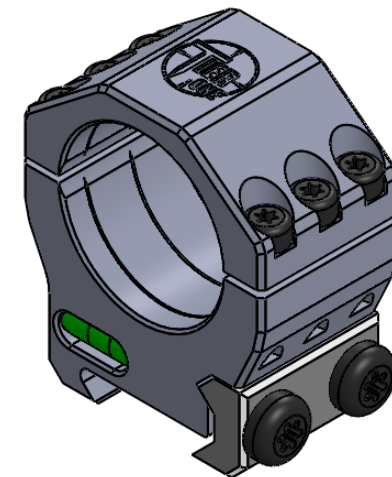
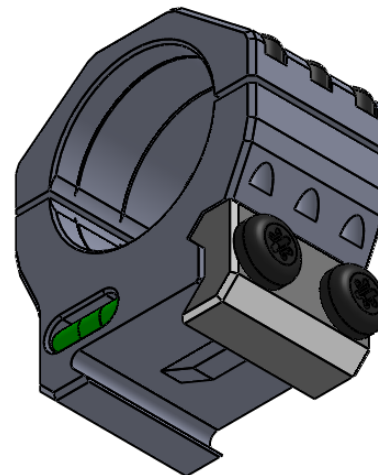
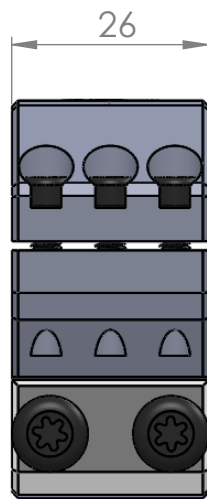
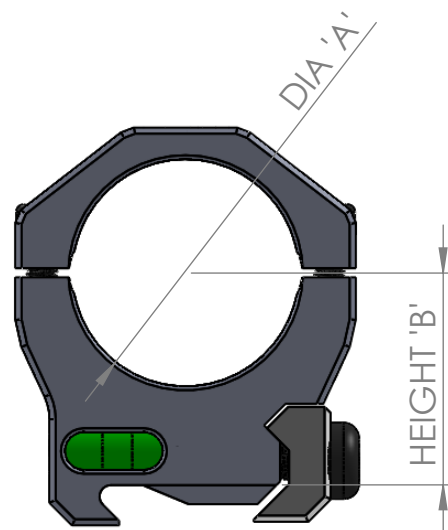


	6	5	4	3	2	1		
ORDER CODE	T1TAC30M	T1TAC30H	T1TAC34M	T1TAC34H	T1TAC36M	T1TAC36H	T1TAC40M	T1TAC40H
DIA 'A'	30	30	34	34	36	36	40	40
HEIGHT 'B'	28	38	28	38	30	40	32	40



UNLESS OTHERWISE SPECIFIED: DIMENSIONS ARE IN MILLIMETERS SURFACE FINISH: TOLERANCES: LINEAR: ANGULAR:			FINISH: HARD ANODISE 30 MICRONS BLACK		DEBURR AND BREAK SHARP EDGES	DO NOT SCALE DRAWING	REVISION
						WWW.TIER-ONE.EU	
DRAWN	NAME	SIGNATURE	DATE			TITLE:	
CC			11/08/17			TAC RING SPECIFICATIONS	
CHK'D						DWG NO.	
APPV'D						T1TAC SPECS	
MFG				MATERIAL:		A4	
Q.A				AL7075 T6			
				WEIGHT:		SCALE:1:1	
						SHEET 1 OF 1	

6 5 4 3 2 1