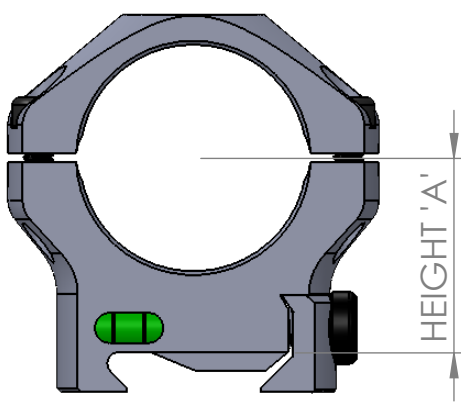
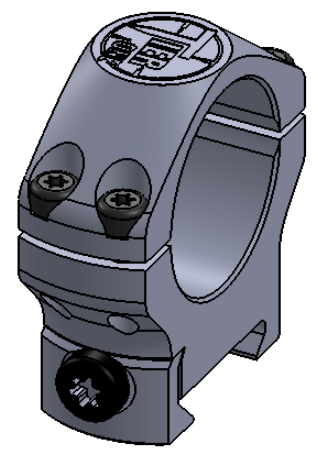
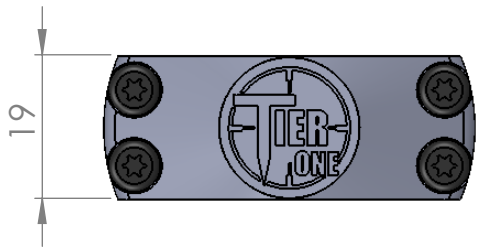
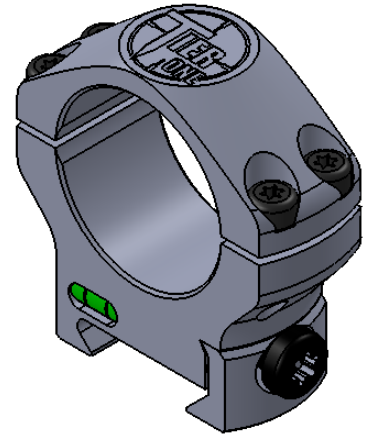


	4		3		2		1
	T1PIC254M	<b>1" MEDIUM</b>	HEIGHT 'A' =22MM				
	T1PIC30M	<b>30MM MEDIUM</b>	HEIGHT 'A'=26MM				
F	T1PIC30H	<b>30MM HIGH</b>	HEIGHT 'A'=30MM				F
	T1PIC34M	<b>34MM MEDIUM</b>	HEIGHT 'A'=26MM				
	T1PIC34H	<b>34MM HIGH</b>	HEIGHT 'A'=30MM				
	T1PIC34EH	<b>34MM EX HIGH</b>	HEIGHT 'A'=35MM				
	T1PIC36M	<b>36MM MEDIUM</b>	HEIGHT 'A'=27MM				
	T1PIC40M	<b>40MM MEDIUM</b>	HEIGHT 'A'=30MM				
	T1PIC40H	<b>40MM HIGH</b>	HEIGHT 'A'=35MM				



**DESIGNED FOR THE PURPOSE OF MOUNTING OPTICAL DEVICES TO FIREARMS**

UNLESS OTHERWISE SPECIFIED:  
DIMENSIONS ARE IN MILLIMETERS  
SURFACE FINISH:  
TOLERANCES:  
LINEAR:  
ANGULAR:

FINISH:  
**HARD ANODISE  
30 MICRONS BLACK**

DEBURR AND  
BREAK SHARP  
EDGES

DO NOT SCALE DRAWING

REVISION **01**

**WWW.TIER-ONE.EU**

	NAME	SIGNATURE	DATE	TITLE:
DRAWN	CC		19/03/17	<b>PICATINNY RING HEIGHTS</b>
CHK'D				
APPV'D				
MFG				
Q.A				

MATERIAL:  
**AL7075 T6**

DWG NO.  
**T1PICHEIGHTS**

A4



TRADING NAME OF  
EVO LEISURE LTD  
GREAT BRITAIN

WEIGHT:

SCALE:1:1

SHEET 1 OF 1