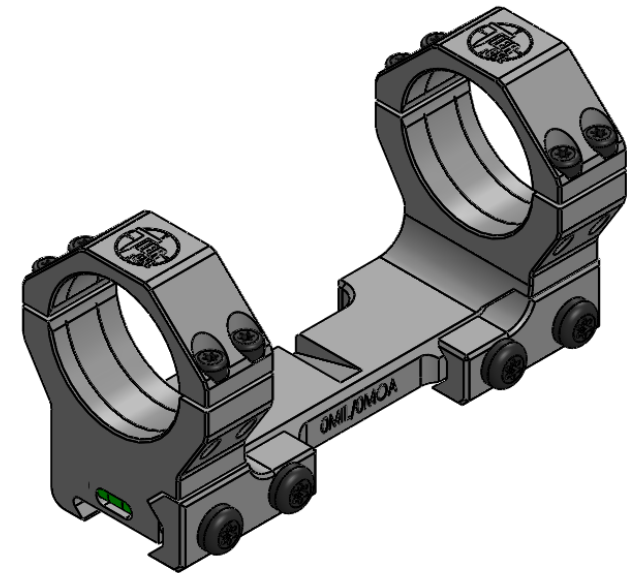
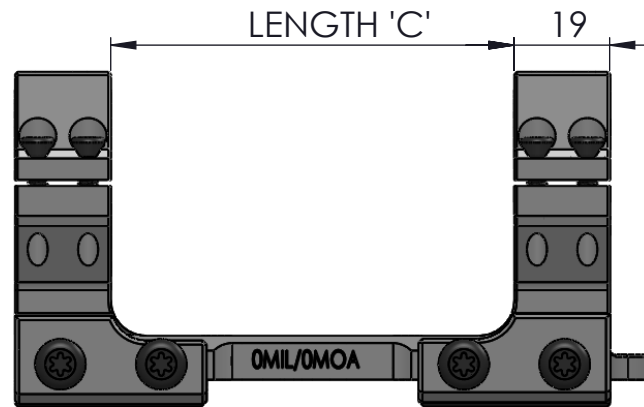
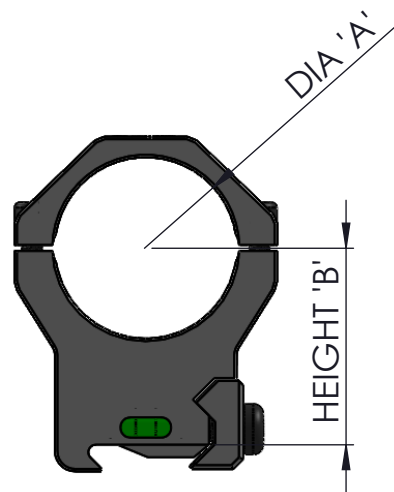


2

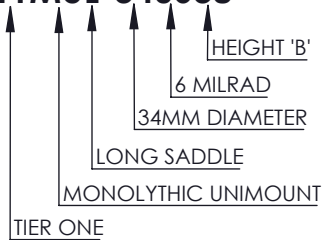
1

ORDER CODE	T1MUL-300030 T1MUL-300630	T1MUL-300038 T1MUL-300638	T1MUL-340032 T1MUL-340632	T1MUL-340038 T1MUL-340638	T1MUL-350033 T1MUL-350633	T1MUL-350039 T1MUL-350639	T1MUL-360033 T1MUL-360633	T1MUL-360039 T1MUL-360639	T1MUL-400034 T1MUL-400634	T1MUL-400039 T1MUL-400639
DIA 'A'	30	30	34	34	35	35	36	36	40	40
HEIGHT 'B'	30	38	32	38	33	39	33	39	34	39
LENGTH 'C'	80	80	80	80	80	80	80	80	80	80



KEY TO ORDER CODE

Example: **T1MUL-340638**



UNLESS OTHERWISE SPECIFIED:

DIMENSIONS ARE IN MM
TOLERANCES:
FRACTIONAL ±
ANGULAR: MACH ± BEND ±
TWO PLACE DECIMAL ±
THREE PLACE DECIMAL ±

INTERPRET GEOMETRIC
TOLERANCING PER:

MATERIAL **AL7075 T6**

FINISH **HARD ANODISE 30 MICRONS
OR CERAKOTE**

DO NOT SCALE DRAWING

NAME DATE

DRAWN **CC** 03/10/17

CHECKED

ENG APPR.

MFG APPR.

Q.A.

COMMENTS:

WWW.TIER-ONE.EU

TITLE:

**LONG SADDLE MONOLYTHIC
UNIMOUNT SPECIFICATIONS**

SIZE DWG. NO. REV

A **T1MUL-SPECS**

SCALE: 1:2 WEIGHT: SHEET 1 OF 1

PROPRIETARY AND CONFIDENTIAL
THE INFORMATION CONTAINED IN THIS
DRAWING IS THE SOLE PROPERTY OF
EVO LEISURE LTD. ANY
REPRODUCTION IN PART OR AS A WHOLE
WITHOUT THE WRITTEN PERMISSION OF
EVO LEISURE LTD IS
PROHIBITED.



TRADING NAME OF
EVO LEISURE LTD
GREAT BRITAIN

NEXT ASSY

USED ON

APPLICATION

B

B

A

A

2

1