



# LEICA Amplus 6

## Technical data



Riflescope	Leica Amplus 6 1-6 x 24 i	Leica Amplus 6 3-18 x 44 i
Package includes	Cleaning tissue, battery, safety instructions	Cleaning tissue, battery, safety instructions
Front lens diameter	24 mm	42 mm
Magnification	1 – 6 x	3 – 18 x
Zoom	6.3x	6.7x
Field of view at 100 m (min. up to max. magnification)	38 m up to 6.3 m	12-4 m up to 2.1 m
Eye relief	> 3.5 in. / 90 mm	> 3.5 in. / 90 mm
Exit pupil	12,2 - 4,2 mm	7.3 - 2.4 mm
Parallax-free	100 m	adjustable, 20 m to infinity
Diopter compensation	-3/+2 dpt	-3/+2 dpt
Coating	AquaDura® lens coating	AquaDura® lens coating
Transmission	> 90 %	> 90 %
Focal plane reticle	2nd focal plane	2nd focal plane
Available reticles	L-4a	Ballistic
Reticle adjustment (100 m)	300 x 300 cm	230 x 230 cm
Impact point correction (100 m)	1 cm / 0.1 Mil / 0.1 Mrad	1/4 MoA
Reticle illumination	dot	dot
Size illuminated dot (10x magnification)	0.7 cm / 100m	0.7 cm / 100m
Light levels	10	10
Central tube diameter	30 mm	30 mm
Mounting option	rings	rings
Front lens filter thread	M28 x 0.6 mm	
Length (without sunshade)	10.7 in / 272 mm	12.5 in / 317 mm
Weight	16.9 oz / 480 g	23.6 oz / 670 g
Waterproof	up to 13.1 ft / 4 m water depth (nitrogen-filled)	up to 13.1 ft / 4 m water depth (nitrogen-filled)
Battery	1 x CR2032	1 x CR2032
<b>Order No. (Reticle)</b>		
L-4a	50100	--
L-4a BDC	--	--
Ballistic (MoA) BDC (MoA)	--	50211
Ballistic (BDC)	--	--



# LEICA Amplus 6

## Technical data

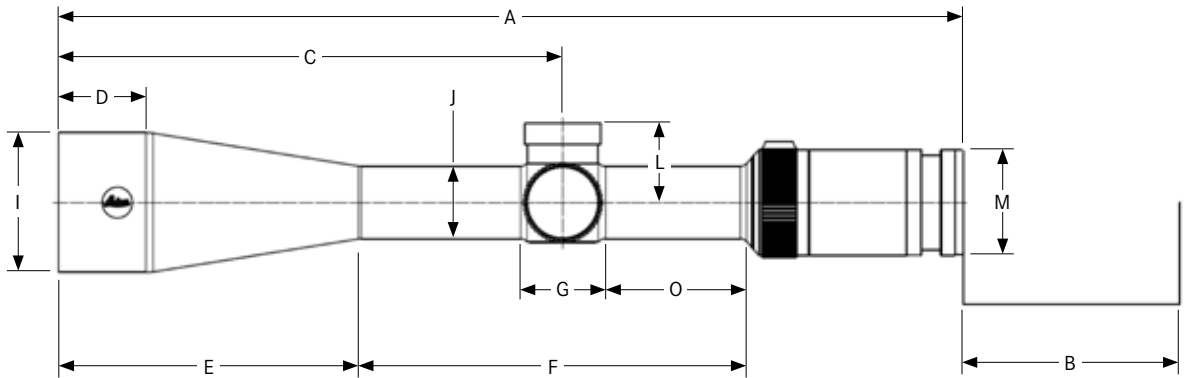


Riflescope	Leica Amplus 6 2.5- 15 x 50 i	Leica Amplus 6 2.5- 15 x 56 i
Package includes	Cleaning tissue, battery, safety instructions	Cleaning tissue, battery, safety instructions
Front lens diameter	50 mm	56 mm
Magnification	2,5 - 15 x	2,5 - 15 x
Zoom	6 x	6 x
Field of view at 100 m (min. up to max. magnification)	15 m up to 2.8 m	14.8 m up to 2.5 m
Eye relief	> 3.54 in. / >90 mm	> 3.54 in. / >90 mm
Exit pupil	11.6 - 3.4 mm	11.6 - 3.7 mm
Parallax-free	adjustable, 20 m to infinity	adjustable, 21.9 yds / 20 m to infinity
Diopter compensation	-3/+2 dpt	-3/+2 dpt
Coating	AquaDura® lens coating	AquaDura® lens coating
Transmission	> 90 %	> 90 %
Focal plane reticle	2nd focal plane	2nd focal plane
Available reticles	L-4a, Ballistic	L-4a, Ballistic
Reticle adjustment (100 m)	150 x 150 cm	180 x 180 cm
Impact point correction (100 m)	1 cm / 0,1 Mil / 0.1 Mrad	1 cm / 0,1 Mil / 0.1 Mrad
Reticle illumination	dot	dot
Size illuminated dot (10x magnification)	0.7 cm / 100m	0.7 cm / 100m
Light levels	10	10
Central tube diameter	30 mm	30 mm
Mounting option	rings	rings
Front lens filter thread	M 58 x 0.6 mm	M 62 x 0.6 mm
Length (without sunshade)	14.9 in / 380 mm	14.9 in / 380 mm
Weight	24.7 oz / 700 g	28.7 oz / 730 g
Waterproof	up to 13.1 ft / 4 m water depth (nitrogen-filled)	up to 13.1 ft / 4 m water depth (nitrogen-filled)
Battery	1 x CR2032	1 x CR2032
<b>Order No. (Reticle)</b>		
L-4a	50300	50400
L-4a BDC	50310	50410
Ballistic (MoA) BDC (MoA)	--	--
Ballistic (BDC)	50311	50411



# LEICA Amplus 6

## Dimensions



	Leica Amplus 6 1-6x24 i	Leica Amplus 6 3-18x44 i	Leica Amplus 6 2.5-15x50 i	Leica Amplus 6 2.5-15x56 i
A	258 mm	320 mm	378 mm	376 mm
B	90 mm	90 mm	90 mm	90 mm
C	98 mm	152 mm	210 mm	208 mm
D	--	38 mm	36,5 mm	42 mm
E	--	85 mm	125 mm	134 mm
F	E+F: 165 mm	150 mm	162 mm	152 mm
G	35 mm	35 mm	35 mm	35 mm
I	30 mm	52 mm	58 mm	65 mm
J	30 mm	30 mm	30 mm	30 mm
K	--	--	--	--
L	33 mm	40 mm	33 mm	33 mm
M	44 mm	44 mm	44 mm	44 mm
N	--	--	--	--
O	50 mm	65 mm	59 mm	59 mm