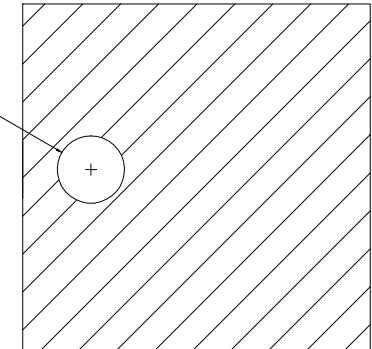


Ø3/4"
[Ø19.0mm]



Item Collection:

Glass Clamps

Author:

VGH - 1

Item SKU:

VGSGC0F90CH

Company:

Vancouver Glazing Hardware Inc.

Drawing #:

1

Scale:

1:1