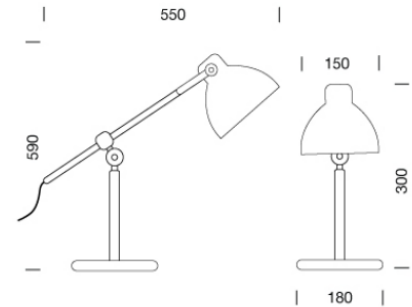


Product



Dimension



Specification

ITEM CODE	:	TRIX-A-T-BK
LAMP BASE*	:	1x E27 MAX 40W
DESCRIPTION	:	TABLE LAMP
INSTALLATION	:	STANDING
MATERIAL	:	STEEL, WOOD
WIRE	:	B/W BRAIDED WIRE WITH ON/OFF SWITCH
NET WEIGHT	:	~2.6 KG
COLOR	:	BLACK, DARK WOOD
CONTROL GEAR	:	N/A
REFLECTOR	:	N/A

*Bulbs are not included in the lamp unless otherwise stated
 Write us at info@lamptitude-int.com for any more information