



2007-2018 Jeep Wrangler JK Hood Hold Downs

D-JP-190001-LK – Locking Hood Hold Down

D-JP-190001-K – Hood Hold Down

***Note** - Designed to work with stock hood and fender and may not be compatible with some aftermarket hoods, fenders, or fender flairs

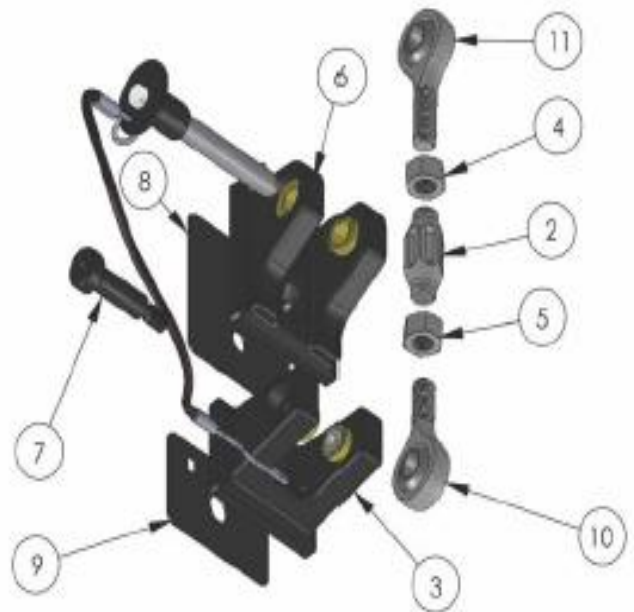
The D-JP-190001-LK is shown



Required Tools	
5	5 MM Allen Wrench
4	4 MM Allen Wrench
1/4"	Drive Ratchet with 10 MM & 13 MM Sockets
1/4"	Drive Ratchet Extensions 3" & 6"
13 MM	Open Ended Wrenches (2) or Small Adjustable Wrenches

Contents (Before starting, Confirm all parts accounted for)	
Q	Hardware
4	M6-1.0 x 16MM S.S. Flat Head Allen Screw
4	M6-1.0 Nyloc Nut
4	M6 Flat Washer
2	M8-1.25 x 16MM S.S. Flat Head Allen Screw
2	M8-1.25 Nylock Nut
2	M8 Flat Washer

Q	Assemblies
4	(1) Spacer, Bolt End
2	(2) Adjustment Sleeve, 30 MM Hex
2	(3) Lower Sub- Assy w/ Lanyard & Pin
2	(4) M8-125 Rh Jam Nut
2	(5) M8-125 LH Jam Nut
2	(6) Upper Sub-Assy
2	(7) Shoulder Bolt M6-1.0
2	(8) Neoprene Gasket, Upper Bracket
2	(9) Neoprene Gasket, Lower Bracket
2	(10) M8 Heim Joint w/ M8-1.25 RH Thread
2	(11) M8 Heim Joint w/ M8-1.25 LN Thread



5	(11) M8 Heim Joint w/ M8-1.25 LH Thread
5	(10) M8 Heim Joint w/ M8-1.25 RH Thread
5	(9) Neoprene Gasket, Lower Bracket

Step #1

Open Hood



Step #2

Using a 10mm socket or wrench, remove two nuts securing stock hood latch to hood and remove from both sides of vehicle

Step #3

Install the DV8 Offroad Hood brackets on both sides of hood using allen head M6 bolts, washers and nuts supplied. (4mm allen wrench and 10mm socket required) Orient bracket so that bushings are towards the top half of the bracket when installed. Make sure to place rubber pad between hood and bracket. Tighten securely.



Step #4

Grab small rubber bumper on original lower bracket and pull it sideways to remove it. Keep this to install on DV8 Offroad Hood Hold Down.



Step #5

Remove original lower hood hold down bracket using a 13mm socket with extensions and ratchet.

- a. New hardware is supplied but the installer may find it easier to install the new brackets using the factory nut.
- b. On passenger side, using a small 1/4" ratchet should allow access to remove and install nut.



Step #6

Use 4mm allen wrench to remove turn buckle assembly from Lower bracket on Drake Hood Hold Down. Remove both sleeves and set aside.



Step #7

Install bracket on Jeep with rubber pad between bracket and body using M8 flat head bolt with 5mm allen wrench and 13mm socket. (combination of extensions may also be needed) As mentioned previously, installer may find reusing factory nut to be easier.

a. Notice there is a left and a right bracket. The bracket should be installed with the lanyard facing forwards on the vehicle and the tab for the rubber bumper should face upwards.

Step #8

Reinstall turn buckle assembly into lower bracket was previously removed using 4mm allen wrench.



that



Step #9

Push factory rubber bumper onto tab

Step #10

Make sure turn buckles are flipped out of the way and resting on the fenders.

Step #11

Close hood

Step #12

Line up turnbuckle and install quick release pin. Direction of the Quick release pin is user preference, and it can be installed from the front or the back

SETUP

1. Make sure jam nuts are threaded all the way against the heim joints as seen in the previous picture (Step #9).
2. Gently apply downward pressure to hood while turning billet aluminum turn buckle to adjust hood down until it contacts the rubber pad.
 - a. Adjustment should be set to personal preference, but we have found that spinning the turnbuckle until the quick release pin is almost difficult to pull out works best.
 - b. With it adjusted to this tension we can gently push down on the hood to relieve the pressure on the pin and pull it out at the same time.
3. Once adjusted to your preferred tension, use two 13mm wrenches to tighten the jam nuts on the turnbuckle against the billet aluminum center piece.
 - a. Once adjusted properly you should not need to use turnbuckle to open and close your hood.

ALWAYS MAKE SURE TURNBUCKLES ARE FLIPPED OUTWARD BEFORE CLOSING HOOD TO AVOID DAMAGE!

