

ROUND | illuminated doorbell button

The ROUND button features a rubbery resin button illuminated by LEDs. Decorative dots of light surround the push-button, while a brushed aluminum faceplate maintains the industrial look.

All spOre doorbell buttons work with standard hardwired doorbell systems.

Applications include call buttons, interactive displays, garage doors, home automation, security systems or as low voltage decorative light points. spOre buttons are customizable from finishes to function. Please contact spOre for assistance with your custom needs.

Design: Tom Gordon and Ted Pierson, 1996. Patents apply.

Model: DBR-(color choice)

Colors: Amber (A), Blue (B), Green (G), Red (R), White (W)

Power Required: 8-16 Volts AC or 6-12 Volts DC.

Power Consumption: Less than 1 Watt.

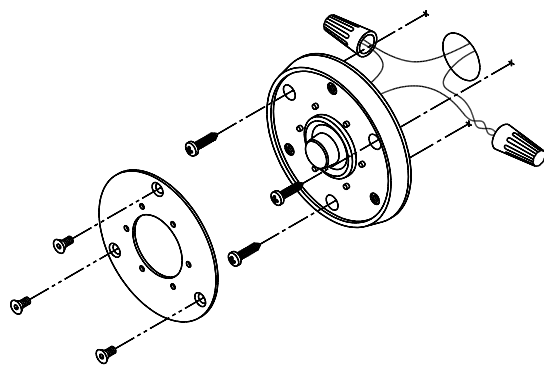
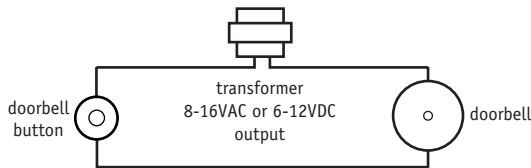
Light Source: Illumination is provided by LED's that produce light in colors of the specific button. The LED's will normally last over 100,000 hours or 11 years!

Switch: Momentary, normally open.

Hardware: The button is made of colored translucent elastomeric resin with UV inhibitors. The face plate is satin finish anodized aluminum. An installation kit is included with mounting screws, wire nuts, stainless steel security screws and driver.

Note: spOre recommends using a mechanical door buzzer or doorbell, especially ours! For more details on installation see our information sheet on typical doorbell systems at www.sporeinc.com/faqs.html.

Typical Doorbell System:



White



Amber



Blue



Green



Red

