

SJ-35

Sliding Bridge Jack

3,500 lbs. Capacity



ASSEMBLY & OPERATION INSTRUCTION MANUAL

May 2017

TABLE OF CONTENTS

Specifications.....	2
Description & Features.....	3
Installation Instructions.....	4
Safety Instructions.....	4
Operating Instructions.....	5
Maintenance Instructions.....	6
Trouble Shooting.....	7
Exploded View.....	8
Parts List.....	9 - 10
Warranty.....	11

SPECIFICATIONS

Model Number: SJ-35

Max Capacity	Size L x W x H	*Height (Min/Max)	Pad Width (Min/Max)	Slider Body Asy Width (Min/Max)
3,500 lbs.	33.9" x 20.5" x 7.8"	7.8" - 11.4"	33.9" - 59.8"	30.9" - 45.7"

*Height Adaptors not included

Net Weight: 275 lbs. / **Gross Weight:** 307 lbs.

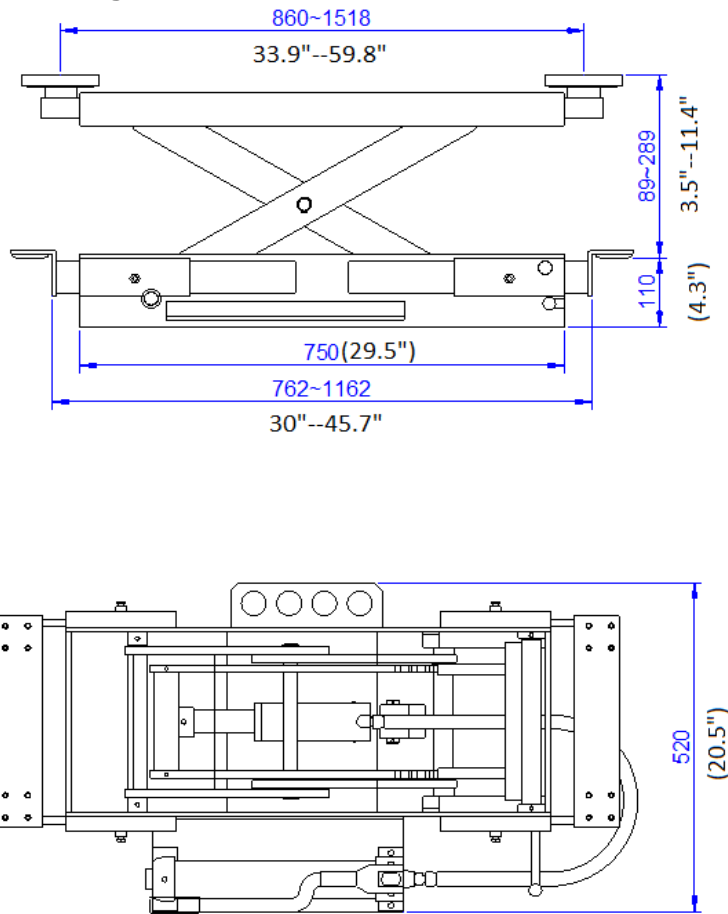


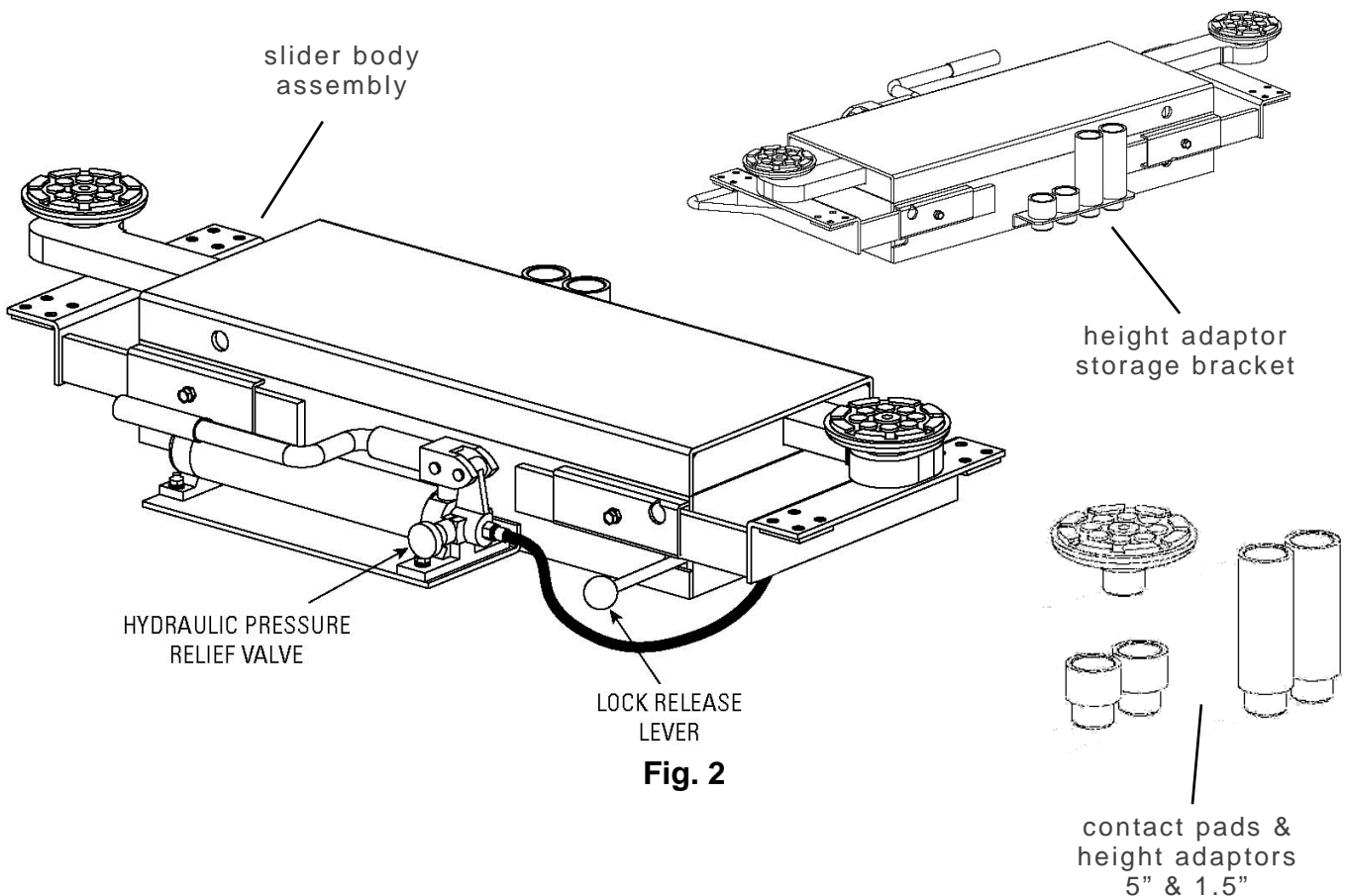
Fig. 1

DESCRIPTION

This SJ-35 jack is a hand pump operated, scissor style sliding bridge jack, designed to be mounted on the four-post lift's runway edges between runways. It is capable of lifting the wheels off runways to provide 'wheels free' service for brake, suspension, tire repairs and maintenance.

FEATURES

- A. Lifting capacity of the sliding jack is 3500 lbs. (1600 kg).
- B. The sliding body assembly arms are adjustable for an inside runway width of 30" (762 mm) minimum to a 45.7" (1162 mm) maximum. (Fig.1)
- E. The SJ-35 Sliding Jack is equipped (1) pair of contact pad adaptors with rubber pad inserts and two (2) different sizes of stackable height adaptors at 1.5" & 5".
- F. The SJ-35 Sliding Jack is equipped with a locking latch assembly that will lock at full-rise and other two positions that is released by actuating the lock release lever.
- H. The SJ-35 Sliding Jack is maneuvered on the heavy duty nylon pads. Actual vehicle load is transferred to jack's end sections via the sliding body load bars, positioned on the top / inside edge of the runways.



INSTALLATION INSTRUCTIONS

1. Carefully remove sliding jack from its package.
2. Pump jack to top by the hand pump. Check that the hydraulic oil quantity is enough and hose is properly connected.
3. Lower the jack completely down by moving the lock release lever to the right, while turning the hydraulic release valve knob counter-clockwise.
4. Slide out the slider body assembly extensions on both sides to match the width between the runways.
5. Put the jack on the edges of the runways (Fig. 3), while ensuring to center the jack between the runways.
6. Remember to secure the roller body assembly extensions into position by tightening the bolts after the jack is centered (Fig. 3).

NOTE: Make sure the jack can slide freely on the runways with both nylon pads making full contact with top edges of runways.

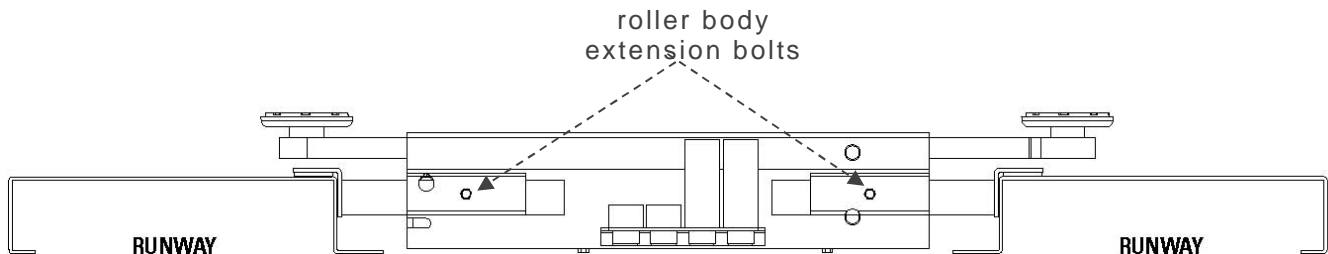


Fig. 3

SAFETY INSTRUCTIONS

- Never allow unauthorized or untrained persons to operate the sliding jack.
- Thoroughly train all employees in the use and care of sliding jack.
- Never overload sliding jack. Capacity of sliding jack is stated on the nameplate. Capacity should not be exceeded.
- Observe and avoid any pinch point areas of the linkage mechanism.

DO NOT OVERLOAD JACK!!!

OPERATING INSTRUCTIONS

WARNING!!!

To avoid personal injury and/or property damage, permit only trained personnel to operate jack. After reviewing these instructions, get familiar with jack controls by running the jack through a few cycles before loading vehicle on jack. Observe and avoid any pinch point areas of the linkage mechanism.

1. Before loading a vehicle onto lift, ensure jack(s) are fully lowered. Make sure the adapters are in their most inbound and lowest position. Also ensure the jack(s) (are) pushed toward the center of lift before driving vehicle on or off lift. This will provide maximum vehicle clearance when loading and unloading vehicles.

CAUTION! Always fully lower jack(s) to prevent damage to the vehicle on lift.

2. After vehicle has been loaded, chock tires on the opposite side in which the sliding jack is to be used. If two sliding jacks are to be used, chock the tires on the opposite side of the sliding jack to be raised first.

WARNING! Engage runway locks before raising vehicle on jacks!

Do not operate lift while jacks are engaged with a vehicle!

3. Place jack under vehicle at manufacturer's recommended pick-up points. Pull out the arms to the proper pick-up points. Take up clearance with contact pads & height extensions.

CAUTION! Allow 12" minimum clearance between vehicle and nearest overhead obstruction before raising vehicle above runways. Failure to comply could damage vehicle and/or cause personal injury.

4. **To Raise Rolling Jack:** (Ensure the release valve knob is rotated to be fully closed.) Depress the pump lever repeatedly until the jack is raised to the desired lock position, followed by turning the hydraulic release valve knob counter-clockwise to lower jack onto locks.
5. **To Lower Rolling Jack:** Slightly raise jack to release off locks, followed by moving the lock release lever to the right, while carefully turning the hydraulic release valve knob counter-clockwise until the jack lowers completely.

CAUTION! Always fully lower jack to prevent damage to the vehicle or lift.

MAINTENANCE INSTRUCTIONS

WARNING! If you are not completely familiar with automotive lift maintenance procedure, please contact your distributor for instructions before any practice.

TO AVOID PERSONAL INJURY, permit only qualified personnel to perform maintenance on this equipment.

Daily:

- Inspect sliding jack adapters for damage or excessive wear.
- Inspect hydraulic system for leaks.
- Inspect for loose bolts, broken/damaged components.
- Inspect linkages for damage, wear and tear.

Monthly:

- Inspect the slider body assemblies.

Six Months

- Check fluid level in hydraulic reservoir.

Fluid Level Checking Procedure:

1. Completely lower rolling jack.
2. Wipe reservoir clean to prevent contamination of fluid.
3. Remove fill plug and check fluid level. Fill as required to bottom of fill hole with AW32 hydraulic fluid. Take care to prevent contamination during filling operation.
4. Reinstall plug hand tight only.

NOTE: Repair/Replace as required with original equipment parts.

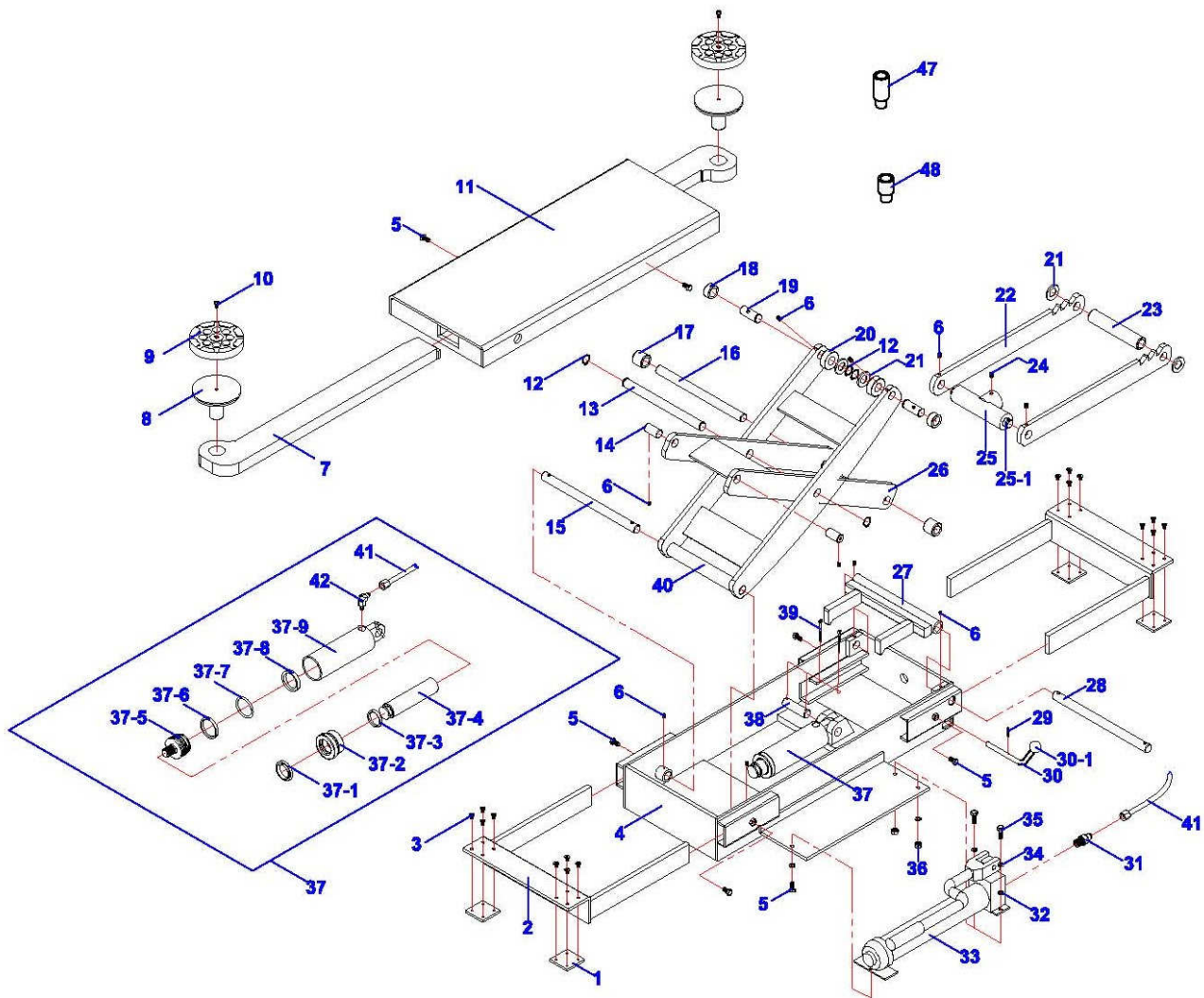
TROUBLE SHOOTING

TROUBLE	CAUSE	REMEDY
<i>Sliding Jack will not raise after contacting load</i>	1. Jack loaded beyond capacity.	1. Use Jack only to rated capacity.
	2. External fluid leak at pump, hose or cylinder.	2. Repair leak, refill reservoir.*
	3. Internal leakage.	3. Have pump serviced by an authorized service center.
	4. Release mechanism damaged or parts missing.	4. Replace damaged or missing parts.
	5. Pump low on fluid.	5. Lower Jack and check fluid level. Fill with AW32 hydraulic fluid. Locate and correct leak.*
	6. Pump malfunctioning.	6. Have pump serviced by an authorized service center.
<i>Sliding Jack will not raise to full height.</i>	1. Pump low on fluid.	1. Lower Jack and check fluid level. Fill with AW32 hydraulic fluid. Locate and correct leak.*
<i>Jack drifts down - will not hold.</i>	1. Release mechanism damaged or parts missing	1. Replace damaged or missing parts.
	2. External leakage.	2. Locate leak and repair. Refill reservoir.*
	3. Internal leakage.	3. Have pump serviced by an authorized service center.
<i>Jack lowers slow or not at all.</i>	1. Release mechanism damaged or parts missing.	1. Replace damaged or missing parts.
	2. Return flow of fluid restricted or blocked.	2. Eliminate blockage.

CAUTION! * Do not overfill reservoir. Jack must be completely lowered prior to adding hydraulic fluid.

WARNING! If sliding jack is in the raised position, be sure to activate the mechanical locking device prior to attempting to service the unit. Failure to do so may cause jack to drop out of control.

EXPLODED VIEW



PARTS LIST

ITEM	Tux P/N	M-Ref P/N	DESCRIPTION	QTY
1	SJ-35-001	LJ03-00005-000	Nylon Pad	4
2	SJ-35-002	LJ03-07000-000	Slider Body Frame	2
3	SJ-35-003	5107-05010-000	Screw, M5x10	16
4	SJ-35-004	LJ03-08000-000	Base Weldment	1
5	SJ-35-005	5101-08016-000	Screw, M8x16	7
6	SJ-35-006	5114-06010-000	Threaded Pin, M6x10	10
7	SJ-35-007	LJ03-00002-000	Arm	2
8	SJ-35-008	LJ03-10100-000	Contact Pad	2
9	SJ-35-009	SJ03-00008-000	Rubber Pad	2
10	SJ-35-010	5110-06012-000	Screw, M6x12	2
11	SJ-35-011	LJ03-01000-000	Top Weldment	1
12	SJ-35-012	5304-00020-000	Circlips, D20	4
13	SJ-35-013	LJ03-00004-000	Middle Axle	1
14	SJ-35-014	LJ03-00001-000	Short Axle	2
15	SJ-35-015	LJ03-00003-000	Pin #1	1
16	SJ-35-016	LJ03-00014-000	Pin #2	1
17	SJ-35-017	LJ03-00013-000	Roller	2
18	SJ-35-018	LJ03-06003-000	Small Roller	2
19	SJ-35-019	LJ03-06001-000	Roller Pin	2
20	SJ-35-020	LJ03-06002-000	Large Roller	2
21	SJ-35-021	5307-00020-000	Flat Washer, D20	4
22	SJ-35-022	LJ03-00006-000	Latch Pull Bar	2
23	SJ-35-023	LJ03-00009-000	Bushing	1
24	SJ-35-024	5114-08010-000	Threaded Pin, M8x10	1
25	SJ-35-025	LJ03-000017-000	Lifting Bar	1
25.1	SJ-35-025.1	LJ03-00017-000	Lifting Bar Axle	1
26	SJ-35-026	LJ03-03000-000	Inner Scissor	1
27	SJ-35-027	LJ03-04000-000	Safety Latch	1
28	SJ-35-028	LJ03-00008-000	Latch Axle	1
29	SJ-35-029	5402-05050-000	Cotter Pin, D5x50	1
30	SJ-35-030	LJ03-00011-000	Release Handle	1
30.1	SJ-35-030.1	LJ03-00012-000	Handle Ball, 35DxM10	1
31	SJ-35-031	LJ03-00015-000	Fitting	1
32	SJ-35-032	5307-00008-000	Flat Washer, D8	3
33	SJ-35-033	LJ03-00016-000	Hand Pump	1
34	SJ-35-034	5306-00008-000	Lock Washer, D8	4

35	SJ-35-035	5101-08030-000	Screw, M8x30	2
36	SJ-35-036	5201-00008-000	Nut, M8	2
37	SJ-35-037	LJ03-09000-000	Cylinder	1
37.1	SJ-35-037.1	LJ03-09006-000	Duct Ring	1
37.2	SJ-35-037.2	LJ03-09004-000	guide ring	1
37.3	SJ-35-037.3	LJ03-09005-000	Guide Ring 2#	1
37.4	SJ-35-037.4	LJ03-09007-000	Piston Rod	1
37.5	SJ-35-037.5	LJ03-09003-000	Piston	1
37.6	SJ-35-037.6	LJ03-09002-000	Guide Ring #1	1
37.7	SJ-35-037.7	5901-00447-000	O-Ring	1
37.8	SJ-35-037.8	LJ03-09001-000	Seal Ring	1
37.9	SJ-35-037.9	LJ03-09100-000	Cylinder Body	1
38	SJ-35-038	LJ03-00007-000	Cylinder Pin	1
39	SJ-35-039	5404-03050-000	Split Pin, D3x50	2
40	SJ-35-040	LJ03-02000-000	Outer Scissor	1
41	SJ-35-041	LJ03-00010-000	Hose	1
42	SJ-35-042	SJ01-03002-000	Angle Fitting	1
47	SJ-35-047	LJ03-00018-000	Tall Height Adaptor-5"	2
48	SJ-35-048	LJ03-00019-000	Short Height Adaptor-1.5"	2

LIMITED WARRANTY

Structural Warranty:

The following parts and structural components carry a five year warranty:

Columns	Arms	Uprights	Swivel Pins
Legs	Carriages	Overhead Beam	
Tracks	Cross Rails	Top Rail Beam	

Limited One-Year Warranty:

Tuxedo Distributors, LLC (Tuxedo) offers a limited one-year warranty to the original purchaser of Lifts and Wheel Service equipment in the United States and Canada. Tuxedo will replace, without charge, any part found defective in materials or workmanship under normal use, for a period of one year after purchase. The purchaser is responsible for all shipping charges. This warranty does not apply to equipment that has been improperly installed or altered or that has not been operated or maintained according to specifications.

Other Limitations:

This warranty does not cover:

1. Parts needed for normal maintenance
2. Wear parts, including but not limited to cables, slider blocks, chains, rubber pads and pulleys
3. Replacement of lift and tire changer cylinders after the first 30 days. A seal kit and installation instructions will be sent for repairs thereafter.
4. On-site labor

Upon receipt, the customer must visually inspect the equipment for any potential freight damage before signing clear on the shipping receipt. Freight damage is not considered a warranty issue and therefore must be noted for any potential recovery with the shipping company.

The customer is required to notify Tuxedo of any missing parts within 72 hours. Timely notification must be received to be covered under warranty.

Tuxedo will replace any defective part under warranty at no charge as soon as such parts become available from the manufacturer. No guarantee is given as to the immediate availability of replacement parts.

Tuxedo reserves the right to make improvements and/or design changes to its lifts without any obligation to previously sold, assembled or fabricated equipment.

There is no other express warranty on the Tuxedo lifts and this warranty is exclusive of and in lieu of all other warranties, expressed or implied, including all warranties of merchantability and fitness for a particular purpose.

To the fullest extent allowed by law, Tuxedo shall not be liable for loss of use, cost of cover, lost profits, inconvenience, lost time, commercial loss or other incidental or consequential damages.

This Limited Warranty is granted to the original purchaser only and is not transferable or assignable.

Some states do not allow exclusion or limitation of consequential damages or how long an implied warranty lasts, so the above limitations and exclusions may not apply. This warranty gives you specific legal rights and you may have other rights, which may vary from state to state.

1905 N Main St Suite C, Cleburne, TX 76033
Ph|817-558-9337 / Fax 817-558-9740