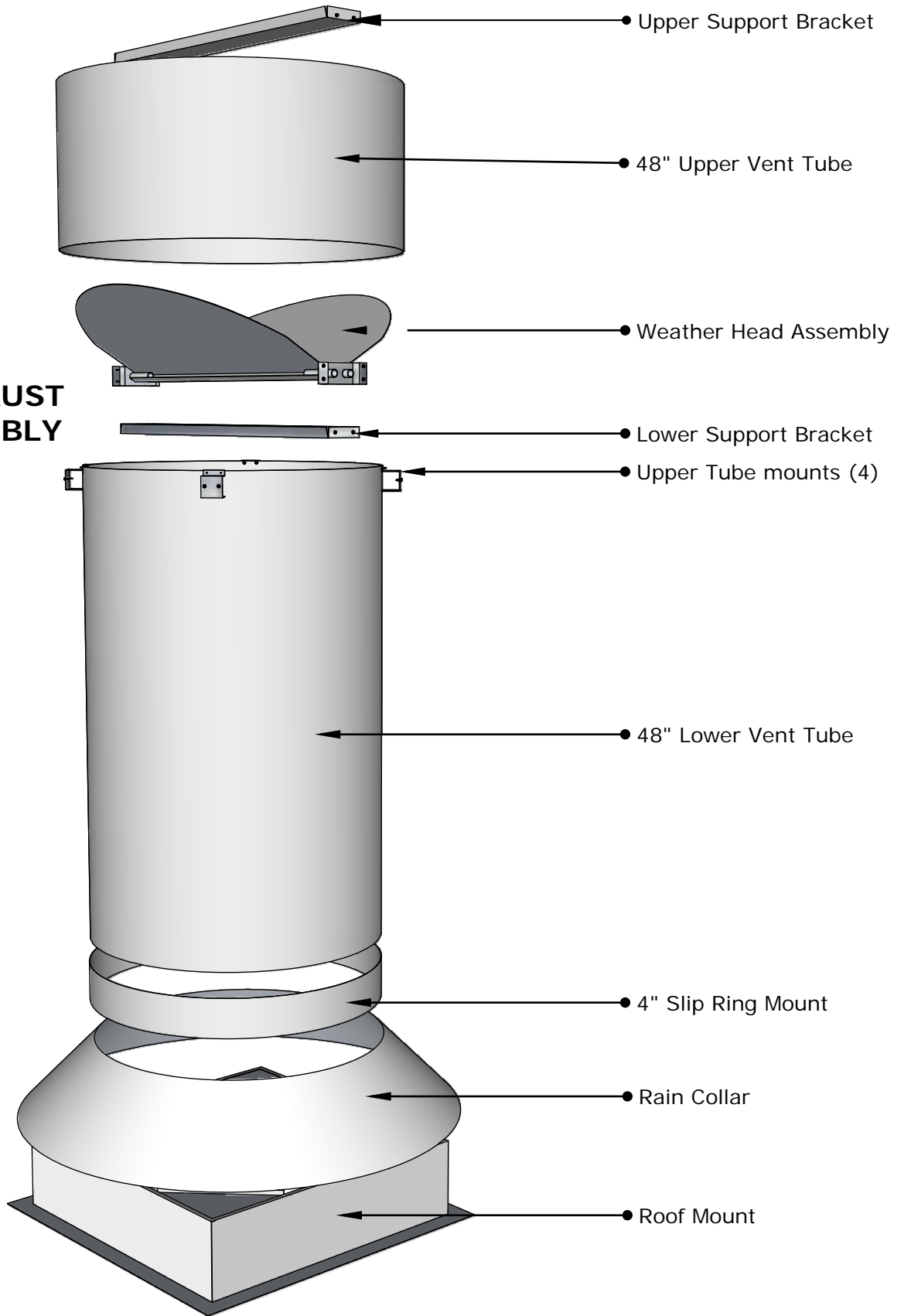


**UPPER EXHAUST  
VENT ASSEMBLY**



# LOWER EXHAUST VENT ASSEMBLY

