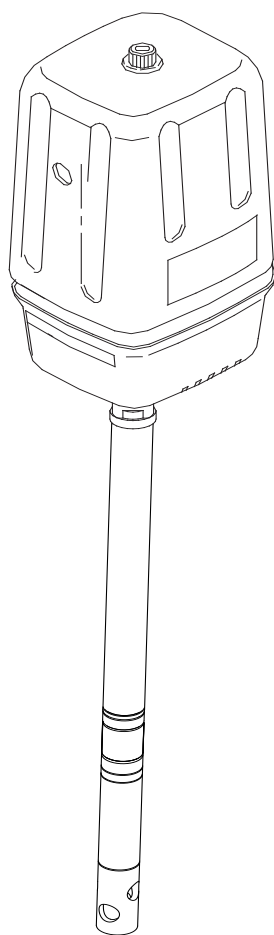


Lubrigun[®] lubrication unit

Models 917, 989, 86267 with air operated grease pumps 82050, 82716, 85100*, 802330* and 83513



Date of issue	July 2017
Form number	403404
Version	2

* Indicates change.

Contents

EC Declaration of Conformity in accordance with Machinery Directive 2006/42/EC, Annex II Part 1 A.....	2
Description.....	3
Safety information	3
Installation.....	3
Accessories	3
Typical system hookup	4
Assembly instructions	4
Pressure relief procedure	5
Operation	5
Lubrication.....	6
Material restriction prevention.....	6
Corrosion prevention	6
Exploded views	7
Parts list.....	11

EC Declaration of Conformity in accordance with Machinery Directive 2006/42/EC, Annex II Part 1 A

The manufacturer Lincoln Industrial,
5148 North Hanley Road, St. Louis, MO
63134 USA hereby declares that machine

Designation: High-pressure air operated
chassis pump

Type: Lubrigun

Model number: 82050, 82716, 85100,
802330 and 83513

Year of construction: (see type identification
plate)

complies with all basic requirements of the
following directives at the time when first
being launched in the market.

Machinery Directive 2006/42/EC, EMC
2009/19/EC and 2004/108/EC

RoHS II 2011/65/EC

Applied standards DIN EN ISO 12100:2011-
3, DIN EN 61000-2:2003-5, DIN
40050-9:1993-5

DIN EN 809-1:2011, DIN EN 60204-
1:2011-1, DIN EN 55011:2011-4

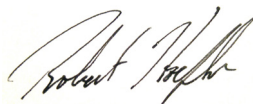
In the case of modifications or alterations of
the above mentioned machine not authori-
zed by the manufacturer, validity of this EC
declaration of conformity will cease. The
person empowered to assemble the techni-
cal documentation on behalf of the manu-
facturer is the head of standardization; see
EC-representative's address.

EC-Representative

SKF Lubrication Systems Germany GmbH

Heinrich-Hertz-Str. 2-8

DE - 69190 Walldorf



Robert Hoefler,
Director Product Development/
Product Engineering
July 10 2017

Description

Models 82050, 82716, 83513, 85100 and 802330 are air operated grease pumps designed to pump low and medium viscosity materials (grease) from drums and pails.

Safety information

Read and understand all warnings, cautions and instructions before operating equipment.

Installation

Typical drum and pail hookups are described only as guide in selecting and installing system.

Accessories

- Filter/regulator/lubricator and gauge
- Eyebolt kit
- Follower plate – 120 lb. (54 kg), 400 lb. (181 kg)
- Drum cover – 120 lb. (54 kg), 400 lb. (181 kg)
- Drum cover with tie rods
- 1709 hoist

Specifications

Air motor effective diameter	2.5 in. (63,5 mm)
Air inlet	1/4 in. NPTF
Outlet adapter	1/4 in. NPTF
Ratio	50:1
Delivery output	80 in. ³ /min. (1 310 cm ³ /min.)
Delivery cycle	0.35 in. ³ /cycle (5,7 cm ³ /cycle)
Minimum air pressure	30 psi (2 bar)
Maximum air pressure	150 psi (10 bar)
Maximum output pressure	7 500 psi (517 bar)
Noise level @ 120 psig	<85 dBA

⚠ WARNING

Do not exceed maximum working pressure of lowest rated component in system.

Pump can develop 7 500 psi (517 bar) working pressure at 150 psi (10 bar) maximum incoming air pressure. All system equipment and accessories must be rated to withstand maximum working pressure of pump.

Failure to comply may result in serious injury or damage to equipment.

Typical system hookup

- 1 Determine drum or pail system for requirement.
- 2 Obtain air line filter/regulator/lubricator to use with inlet air supply.
- 3 Clean supply lines, hoses, reducers, connectors and accessories of matter that could damage pump or system components. Clean/flush pump with mineral spirits or solvents if necessary.
- 4 Assemble cleaned pump and supply line together with any required accessory.
- 5 Mount assembled pump to drum or pail.
- 6 Connect material output line/hose to pump. Connect air regulator to pump.
- 7 Make sure all connections are securely tightened.

NOTE

Pump was tested in lightweight oil and was left in to prevent corrosion.

Flush pump before connecting to system to prevent possible contamination of grease being pumped.

Assembly instructions

Assemble unit as shown in diagrams. Read and understand all warnings and directions in component manuals.

- 1 Remove cover nut from top of pump. Lift air motor cover from pump.
- 2 Remove four screws holding cover-bottom to pump outlet body.
- 3 Hold pump with pump outlet body resting securely on inner surface of cover-bottom. Insert end of pump tube through hole in drum cover. Line up holes in drum cover, cover-bottom and pump outlet body.
- 4 Replace four screws and tighten securely.
- 5 Push insert through follower with small cone of wiper body facing up. Place insert retainer over insert and align holes on insert and insert retainer. Secure assembly with four self-tapping screws.
- 6 Remove drum top and insert follower into drum against surface of lubricant.
- 7 Guide end of pump tube into follower insert.
- 8 Lower pump tube into lubricant drum until drum cover rests on top bead drum.
- 9 Assemble lubricant hose to pump outlet body. Connections must be leak proof.
- 10 Place cover over air motor and position over cover-bottom.
- 11 Replace cover nut on pump stud to hold air motor cover securely in place.
- 12 Assemble nipple and adapter through hole in side of air motor cover and into air motor. Connection must be leak proof.
- 13 Connect air coupler to an air hose of sufficient length so lubrication can be used to cover entire lubrication area.

⚠ WARNING

Do not exceed 90 psi (6 bar) air pressure to pump when using whip hoses.

Accessory item whip hoses for dispensing valve are rated at 4 500 psi (310 bar).

Failure to comply may result in serious injury or damage to equipment.

Pressure relief procedure

Always perform this procedure before servicing:

- 1 Disconnect air supply to pump.
- 2 Point dispensing valve away from yourself and others.
- 3 Open dispensing valve into container until pressure is relieved.

If above procedure does not relieve pressure, dispensing valve or hose may be restricted. To relieve pressure, very slowly loosen hose end coupling. Then, loosen completely and clear dispensing valve and/or hose.

⚠ WARNING

Do not operate pump or system with pressure applied. Perform pressure relief procedure prior to starting pump. Failure to comply may result in serious injury or damage to equipment.

Operation

Inspect before use

Any pump that appears to be damaged in any way, shall be removed from use until repairs are made. Contact factory authorized service center for repairs.

Pump use

To start pump, turn on main air supply. Slowly open air regulator. Regulate air pressure from 20–40 psi (1,3–2,7 bar) and throttle to prime pump. Open dispensing valve to allow air to be purged from system. Allow pump to cycle until grease, without air pockets, flows from dispensing valve, and then close dispensing valve.

After pump is primed, adjust air pressure to achieve smooth flow of grease from dispensing valve. Do not allow pump to operate when out of material. Pump will accelerate quickly and run too fast, resulting in costly damage to pump.

If pump accelerates quickly or is running too fast, stop it immediately. Check grease supply and refill it if necessary.

In circulating system, pump runs continuously and slows down or speeds up as supply demands, until the air supply is shut off.

In direct supply system, with adequate air pressure supplied to motor, pump starts when gun or dispensing valve is opened and stalls against pressure when it is closed.

Use air regulator to control pump speed and grease pressure. Always use lowest pressure required to achieve desired results.

⚠ WARNING

Failure to heed the following warnings including misuse, over pressurizing, modifying parts, using incompatible chemicals and fluids, or using worn or damaged parts, may result in serious personal injury and/or equipment damage, fire, explosion, or property damage.

- Do not exceed the stated maximum working pressure of the pump, or of the lowest rated component in your system.
- Do not alter or modify any part of this equipment.
- Do not operate this equipment with combustible gas.
- Do not attempt to repair or disassemble the equipment while the system is pressurized.
- Make sure all grease connections are securely tightened before using this equipment.
- Always read and follow the grease manufacturers recommendations regarding grease compatibility, and the use of protective clothing and equipment.
- Check all equipment regularly and repair or replace worn or damaged parts immediately.
- Never point the dispensing valve at any part of the body or at another person.
- Never try to stop or deflect material from dispensing valve, leading connection or component with your hand or body.
- Always check equipment for proper operation before each use, making sure safety devices are in place and operating properly.
- Always follow the pressure relief procedure after shutting off the pump, when checking or servicing any part of the system, and when installing, cleaning or changing any part of the system.

Lubrication

Air line filter/regulator/lubricator is recommended for use with Lincoln pump to remove harmful dirt and moisture from compressor air supply, and to provide automatic air motor lubrication.

If air lubricator is not used, the following procedure should be performed daily:

- 1 Disconnect air coupler from air fitting.
- 2 Fill air coupler with NO. 10 SAE motor oil and reconnect to air fitting.

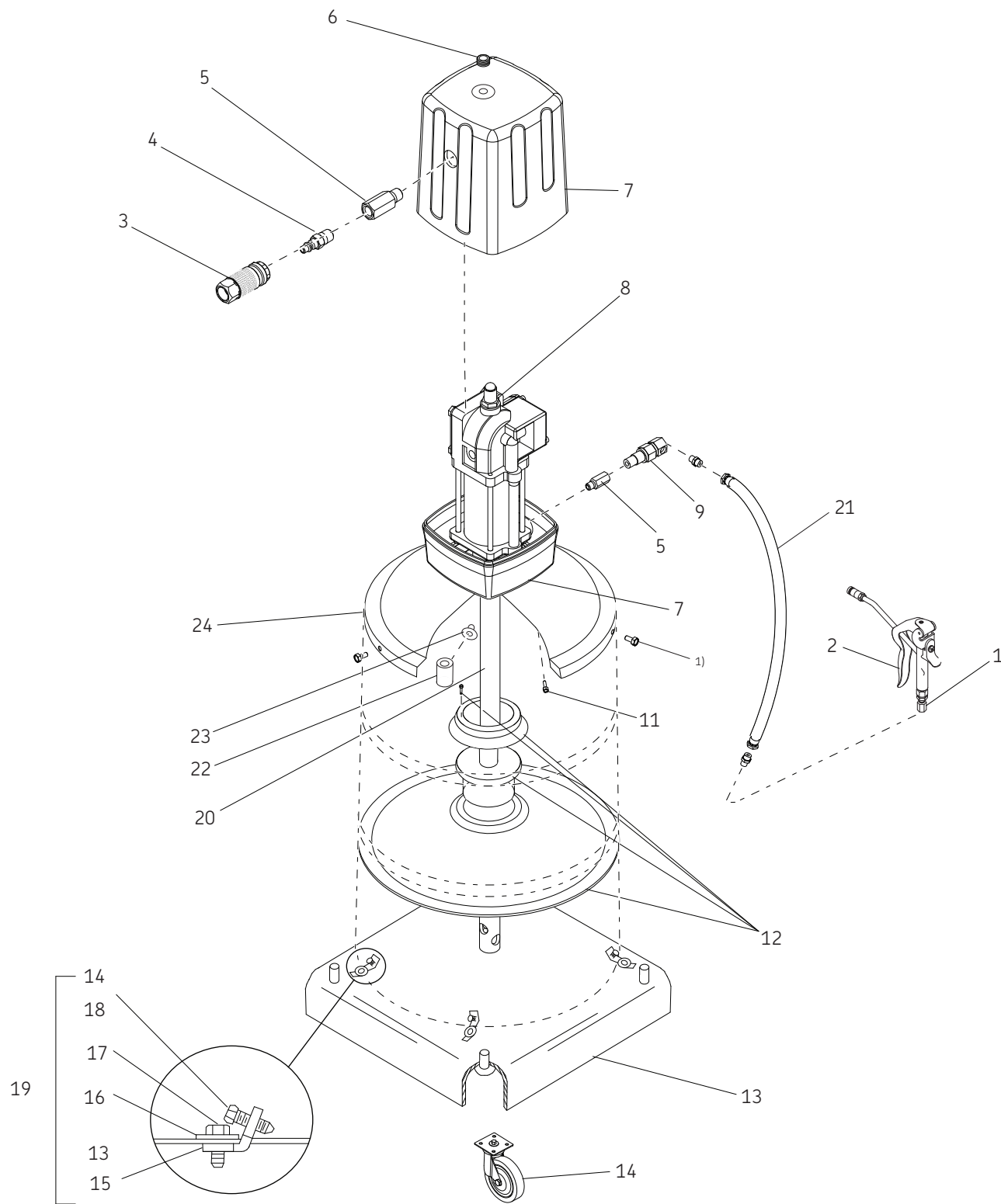
Material restriction prevention

Flush system as required with compatible solvent to prevent material buildup when pumping material that dries or hardens.

Corrosion prevention

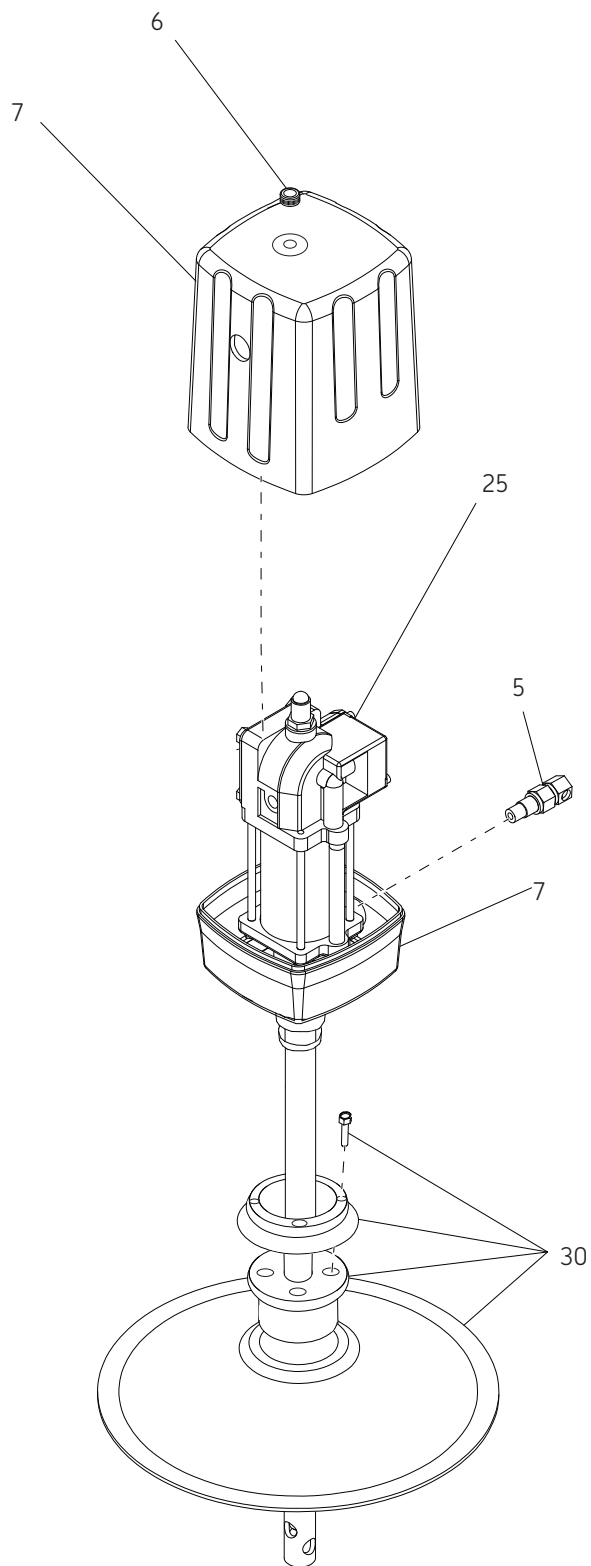
To prevent water or air corrosion, never leave the pump filled with water or air.

Model 917, 120 lbs. (54 kg) container, 50:1 ratio



¹⁾ Screw included with 46007.

Model 85100, 60 lb. (27 kg) container, 50:1 ratio



Refer to separate instructions:

740 Control valve: 403742
 815 Air coupler: 405457
 81387 Swivel: 404221
 82716 Basic pump: 404216

Parts list								
Used on model								
Item no.	Description	Part number	917	989	86267	85100*	802330*	Quantity
1	Small swivel, universal D	81387	X	X				1
2	Coupler and extension	740	X	X				1
3	Coupler, air 1/4 FPT	815	X	X	X		X	1
4	Coupler, air-nipple	11659	X	X	X		X	1
5	Outlet adapter	11348	X	X	X	X	X	2 ¹⁾
6	Cover nut	11478	X	X	X	X	X	1
7	Pump cover assembly	84935	X	X	X	X	X	1
8	Chassis high pressure pump	82050	X					1
9	Small swivel, straight	82399	X					1
10	Screw HHCS 1/4-20 x 9/1	50060	X	X	X		X	4
11	Follower assembly	84780	X					1
12	Plate, truck assembly	45880	X					1
13	Caster	66060	X					4
14	Clamp	360266	X					4
15	Washer, flat 5/16 w	48238	X					4
16	Screws	50016	X					4
17	Set screw	11123	X					4
18	Truck assembly	80895	X					1
19	Screw HHCS 1/4-20 x 3/8	50113	X					2
20	Hose assembly 1/4 x 84	75084	X	X				1
21	Hanger, control valve	45761	X					1
22	Nut, hex 1/4-20 SEM	50754	X					2
23	Drum cover	46007	X					1
24	Pump 50:1	82716		X	X		X	1
		83513				X		
25	Handle	63088		X	X			1
26	Screw, thumb	66130		X	X		X	3
27	Button, snap 11/32	66057		X	X		X	1
28	Drum cover	91499		X	X			1
	Drum cover (802330)	081523-E025					X	1
29	Follower assembly	84775		X	X	X		1
	Follower assembly (802330)	083366-E025					X	1
30	Stove bolt nut	51300		X	X		X	4
31	Washer, package 13/64 b	48218		X	X		X	4
32	Screw RHMS #10-24 x 1/2	50301-1		X	X		X	4
33	Hose connector	10198		X				1
34	Set screw	950000-E2)					X	3
35	Clamp	012643-E0592)					X	1

¹⁾ 86267 - Requires (1) 11348
²⁾ Not shown
 * Indicates change.

Warranty

The instructions do not contain any information on the warranty. This can be found in the General Conditions of Sales, available at: www.lincolnindustrial.com/technicalservice or www.skf.com/lubrication.

skf.com | lincolnindustrial.com

® SKF, Lincoln and Lubrigun are registered trademarks of the SKF Group.

© SKF Group 2017
The contents of this publication are the copyright of the publisher and may not be reproduced (even extracts) unless prior written permission is granted. Every care has been taken to ensure the accuracy of the information contained in this publication but no liability can be accepted for any loss or damage whether direct, indirect or consequential arising out of the use of the information contained herein.
July 2017 · Form 403404 Version 2