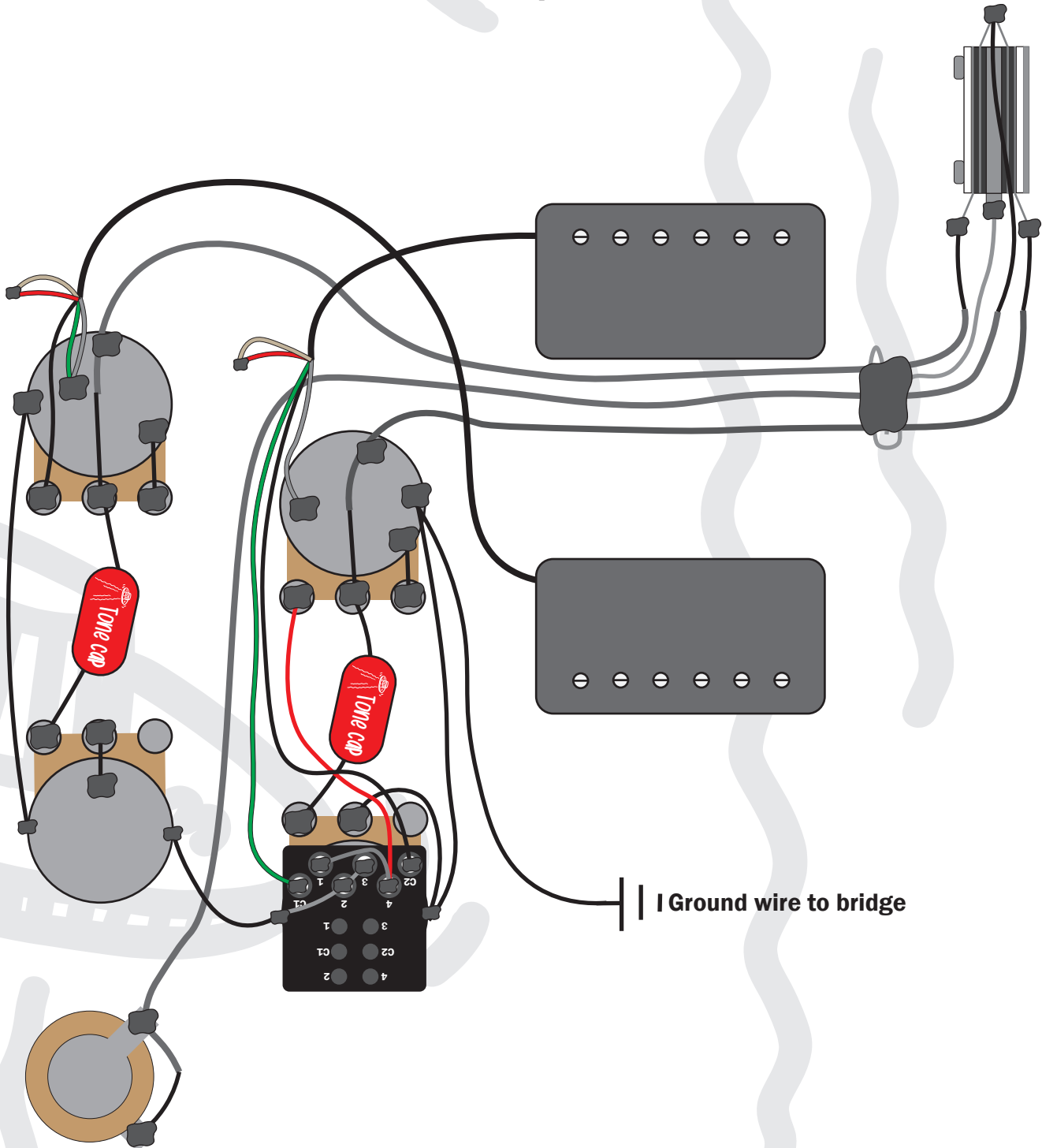




Guitar Type | Les Paul
Pickup Configuration | 2x Humbucker
Volumes | 2x 500k
Tones | 1x Push/Pull 500k, 1x 500k
Switch | 3 Way toggle
Orientation | Right Handed
Additional items | Phase reversal



This diagram has been drawn with Seymour Duncan wiring colour codes in mind, where black is the hot, green and bare are ground and red & white are for series link. Your pickups or pickup brand may use different colour codes, please ensure that you have confirmed your pickup and manufacturer's own colour before commencing with install.

Important note

Please visit the 'Wiring diagrams & helpful technical info' page on www.homeoftone.co.uk & read through the Home of Tone harness fitting guide before beginning your harness install. Please take care of yourself and your guitar when carrying out any guitar wiring work as James' Home of Tone cannot be held responsible for any damage caused by dangerous or incorrect techniques used. Or if possible, support your local businesses and have your trusted local guitar tech carry out your install!

Imagery is copyright of James' Home of Tone 2020.