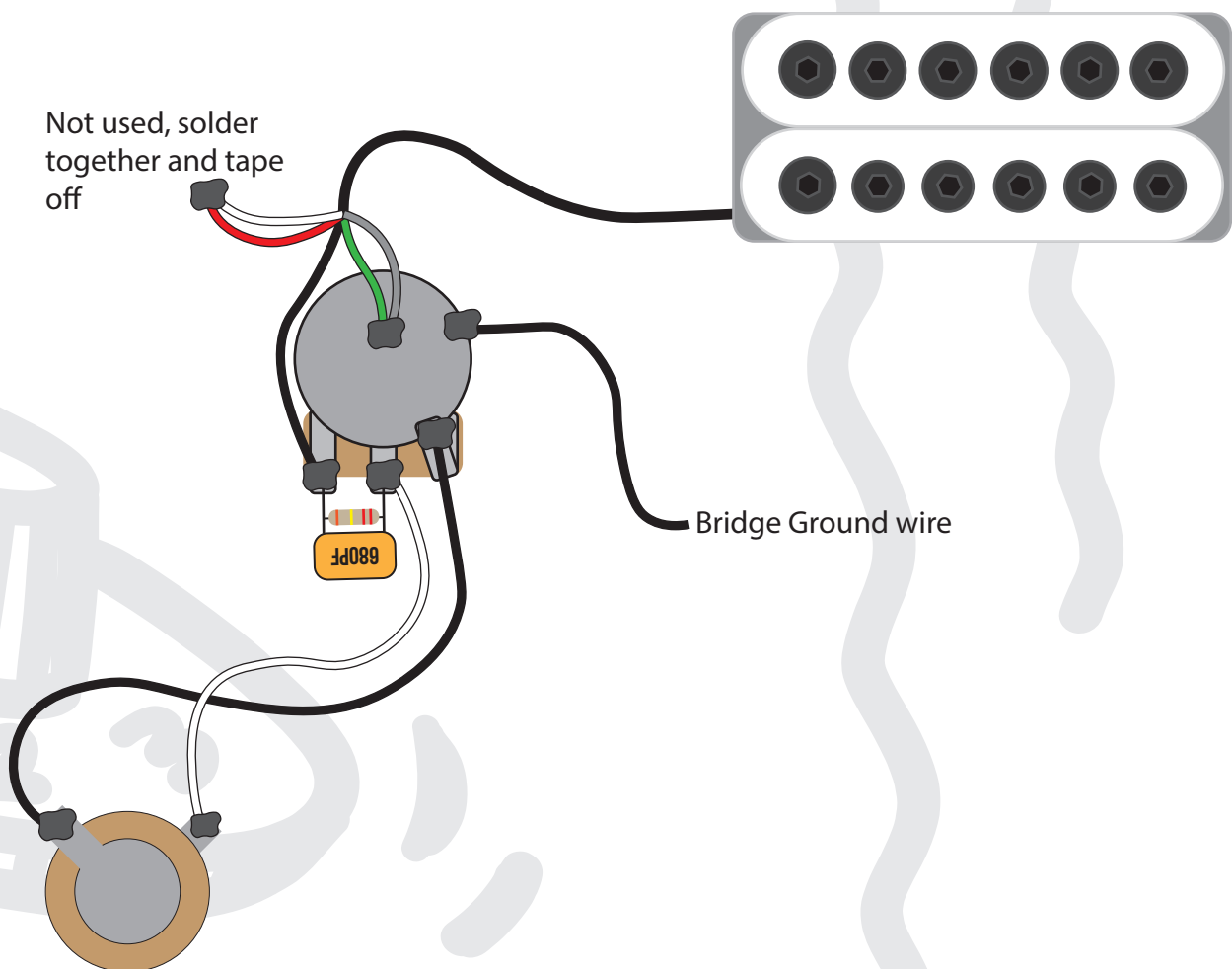




**Guitar Type | 'DeLonge' Signature Stratocaster**  
**Pickup Configuration | 1x Humbucker**  
**Volumes | 1x Volume**  
**Tones | N/A**  
**Switch | N/A**  
**Orientation | Right Handed & LH with RH taper pot**  
**Additional items | Treble bleed**



**This diagram has been drawn with the Seymour Duncan 4 conductor pickup wire colour codes in mind. If your pickup is different to this, or importantly, a different pickup manufacturer, then please refer to that manufacturer's wire colour coding prior to installing.**

***Important note***

**Please take care of yourself and your guitar when carrying out any guitar wiring work.**

**James' Home of Tone cannot be held responsible for any damage or injury caused by dangerous or incorrect techniques used. If possible, support your local businesses and have your trusted local guitar tech carry out your re-wire!**

**Imagery is copyright of James' Home of Tone 2023.**