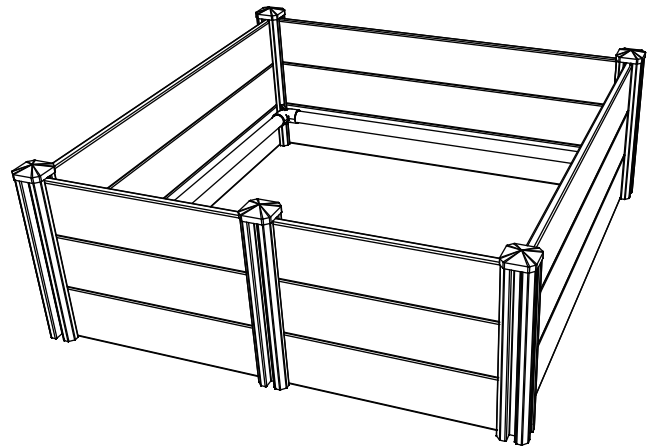

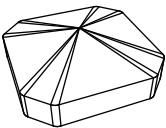

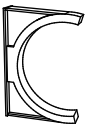
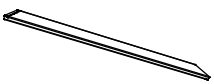


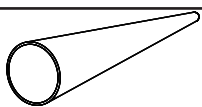





PREMIUM WHELPING BOX

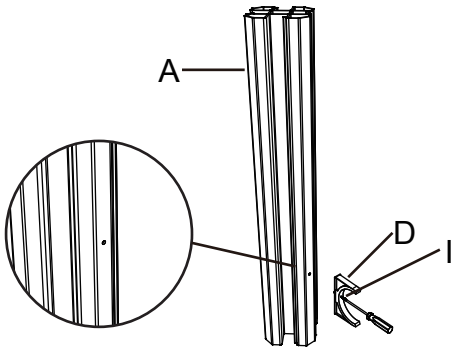


Whelping Box---Parts List

	A	5	76 x 76mm Post
	B	5	76 x 76mm Post Cap
	C	4	90° Rail Connector
	D	4	Rail Connector Clamp
	E	9	152 x 22mm Panel - L
	F	6	152 x 22mm Panel - S
	G	1	38 x 22mm Panel - C
	H	4	Round Rail
	I	5	Screws

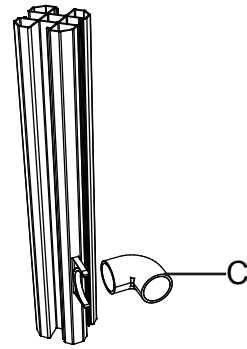
Assembly Instructions

Step 1



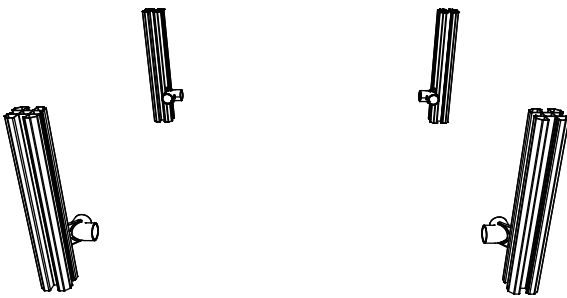
According to the reserved hole on the 76 x 76mm Post, screw the Rail Connector Clamp on the 76 x 76mm Post.

Step 2



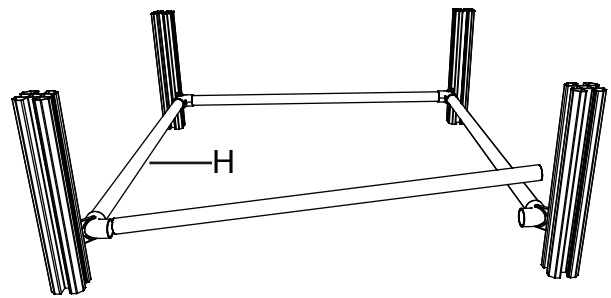
Place the 90° Rail Connector on the Rail Connector Clamp.

Step 3



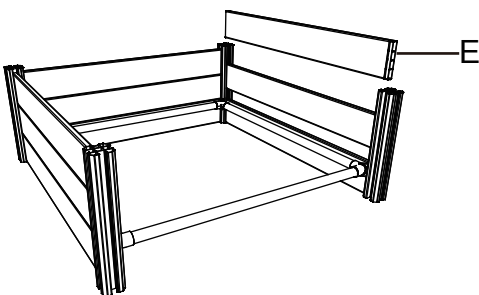
Repeat Step 1 and Step 2

Step 4



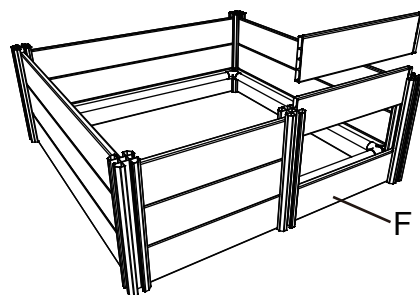
Insert the Round Rail into the 90° Rail Connector to connect the 4 sets of 76 x 76mm Posts.

Step 5



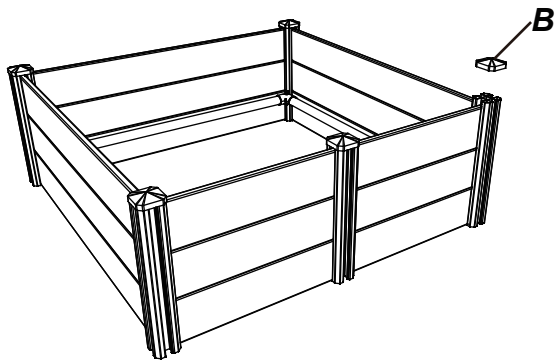
Use the 152 x 22mm Panel - L to assemble the three side panels of the Whelping Box.

Step 6



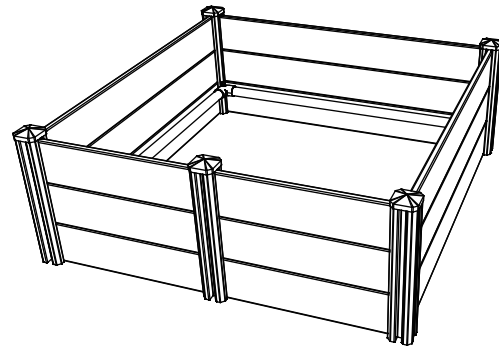
Use the 152 x 22mm Panel - S and 76 x 76mm Post to assemble the front door of the Whelping Box.

Step 7



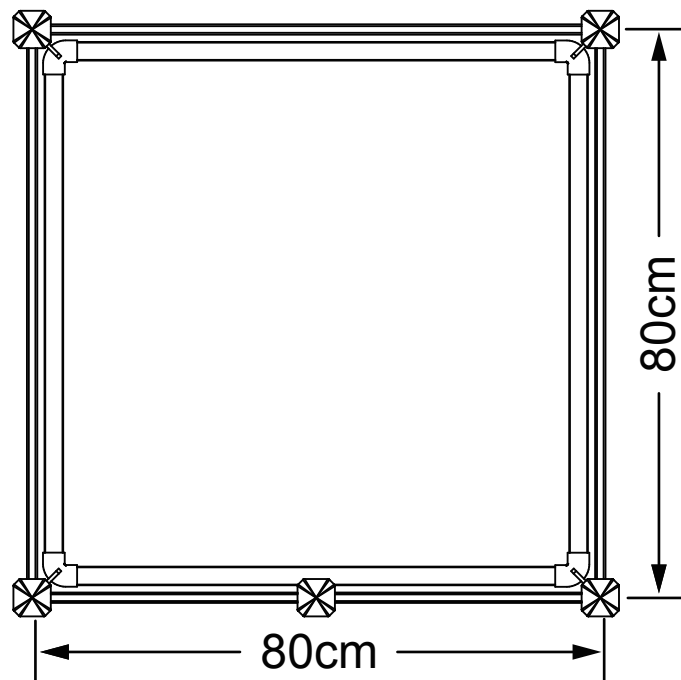
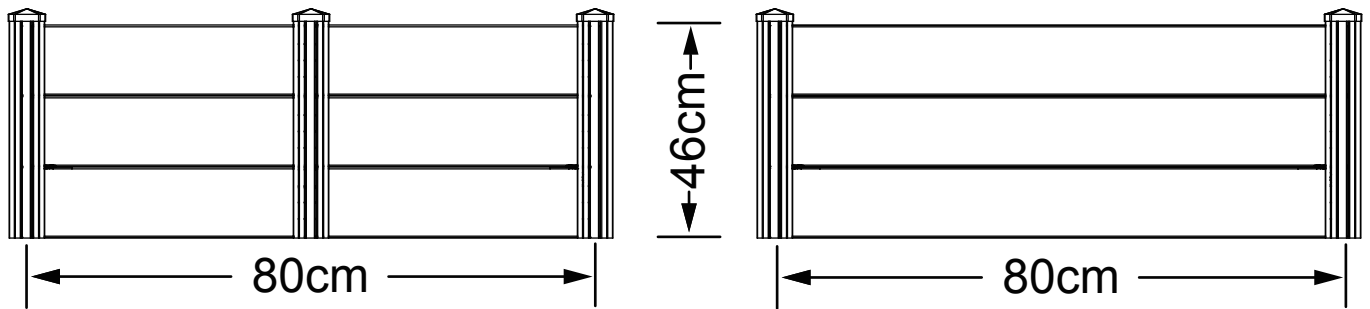
Place all five 76 x 76mm Post Caps on the 76 x 76mm Posts.

Step 8



Installation Complete.

Drawing



If you have any issues with your whelping box , or have missing/broken parts , please email us @ sales@petnetwork.com.au