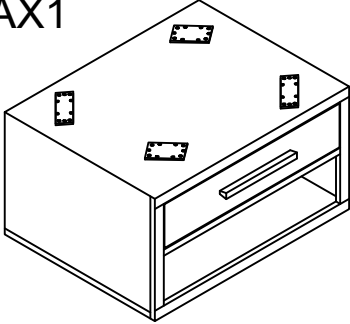
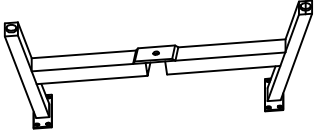

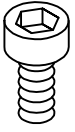






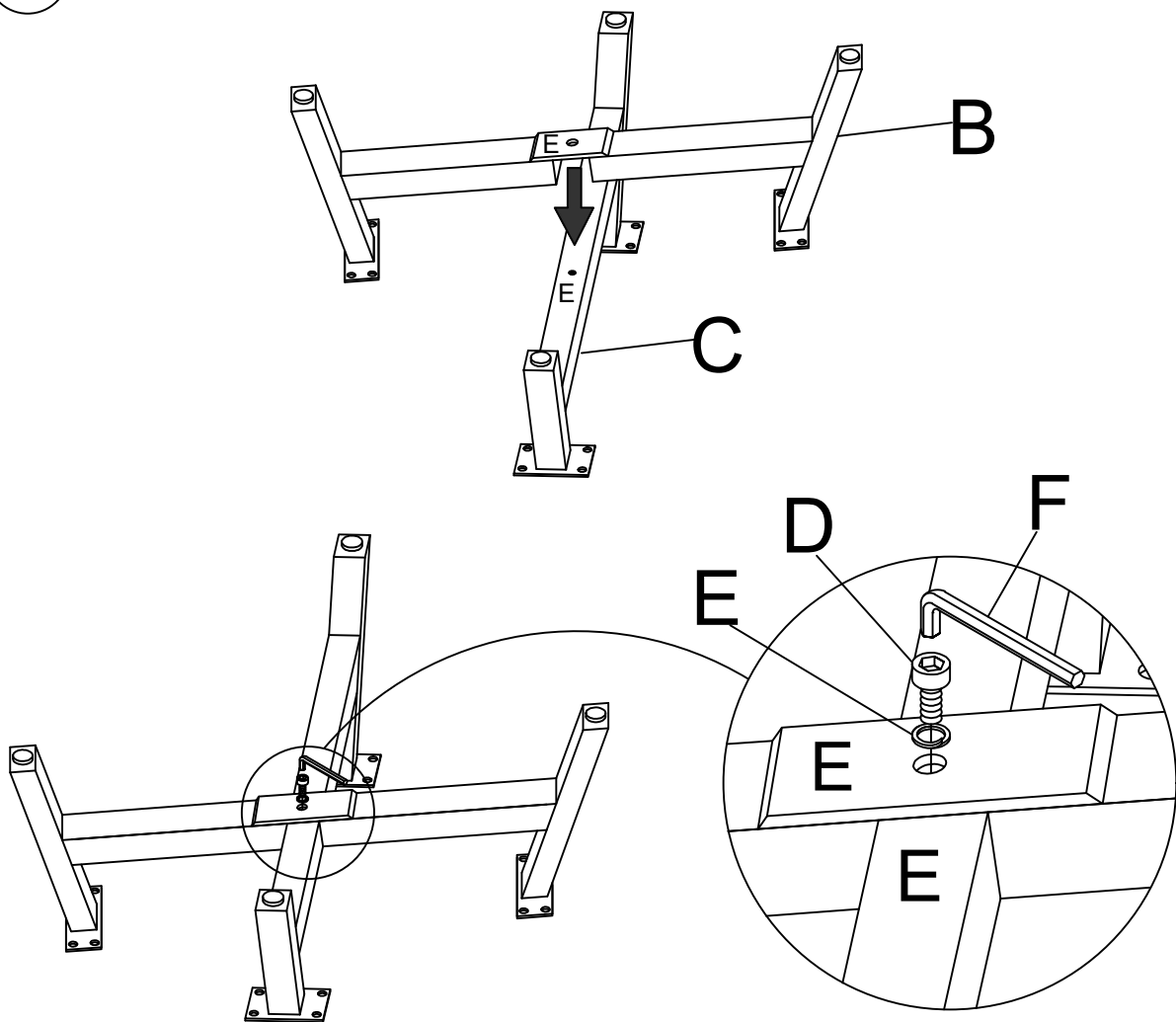
W A Z O

# ASSEMBLY INSTRUCTIONS

AX1 	BX1 	CX1 	
DX17 	EX16 	FX1 	Extra Hardware D-2 pcs E-2 pcs

- Note: 1. Please do not tight any bolt unless all bolts are fixed at their respective places.  
2. After fixing the bolts tighten them simultaneously.  
3. Matching Parts Bolt (example AtoA)  
4. Two person assembly required.

1





W A Z O

# ASSEMBLY INSTRUCTIONS

