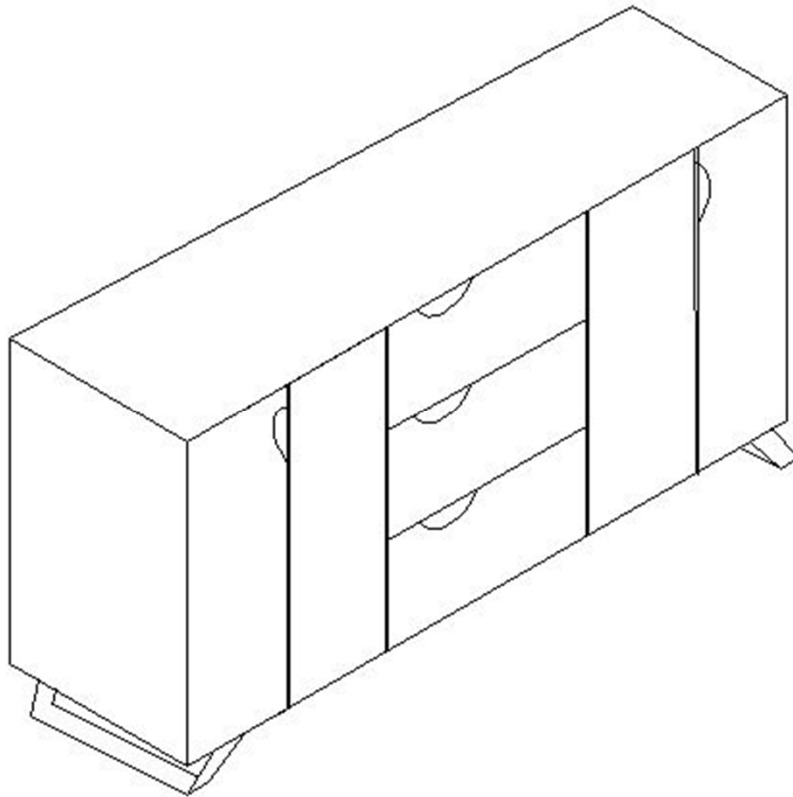




**W A Z O**  
ASSEMBLY INSTRUCTIONS



# AROSA

AROSA ACACIA SIDEBOARD (NATURAL)

T5676



W A Z O

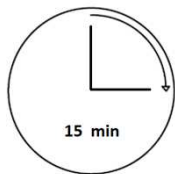
AROSA ACACIA SIDEBORD (NATURAL)

Page 2 of 4

## ASSEMBLY INSTRUCTIONS

Read these instructions carefully and keep for future reference. Ensure that you have all the Pieces before starting assembly by referring to the parts inventory. When starting assembly, Place all pieces on a soft, clean, and flat surface like a carpet to prevent scratches or damage.

If you are having difficulty, our VIP Team is always here for you. Call us at **1-800-684-6014** During business hours or email us at [service@wazofurniture.com](mailto:service@wazofurniture.com).

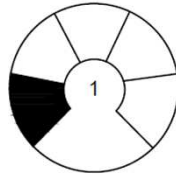


15 min

TIME



# OF PEOPLE



DIFFICULTY



REQUIRED TOOL  
ALLEN KEY



ANTI-TIP  
Installation Required

PARTS INVENTORY		
ID	DESCRIPTION	QTY
<b>A</b>	SIDEBORD	1
<b>B</b>	IRON LEGS	2



W A Z O

AROSA ACACIA SIDEBOARD (NATURAL)

Page 3 of 4



### IMPORTANT NOTES

1. Please check that all parts are present before starting assembly.
2. For the protection of your furniture and to ensure it is not damaged in the assembly process, place all parts on a clean, smooth surface.
3. In order to align all screws properly, tighten all screws halfway first until product frame is assembled and then tighten fully when all screws are aligned.
4. Do not use power tools for assembly.
5. Please periodically check all fittings and re-tighten as necessary.
6. Do not use furniture unless all bolts and screws are firmly secured.



Structural integrity is warranted only if all fasteners are properly installed & tightened, and the product is moved only per instructions.



HARDWARE / TOOLS INVENTORY		
ID	DESCRIPTION	QTY
<b>A</b>	ALLEN KEY BOLT 8X12 	8
<b>B</b>	ALLEN KEY 5MM 	1
<b>C</b>	ANTI TIP KIT	2
<b>D</b>	DOME NUT	4



W A Z O

AROSA ACACIA SIDEBOARD (NATURAL)

Page 4 of 4

