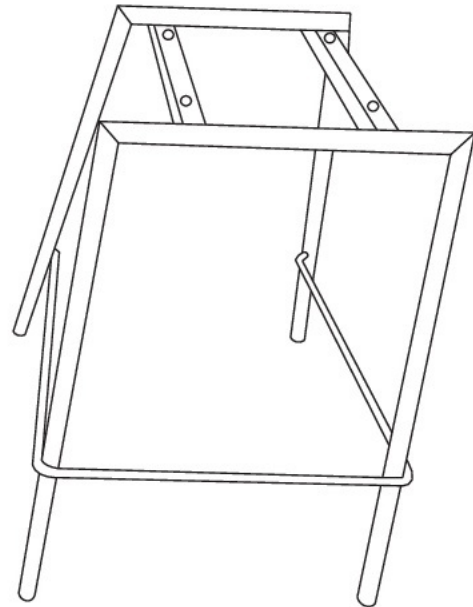
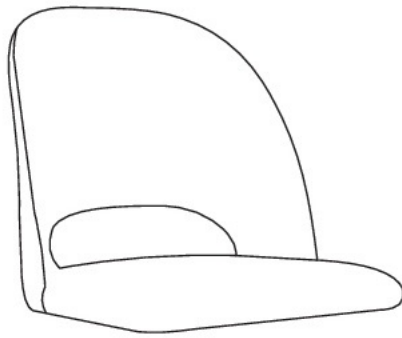


1

2



1	1x
2	1x

A



M6*40mm

4x

B



Ø18*Ø6*1.5mm

4x

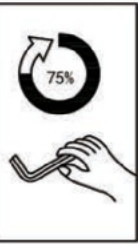
C



5mm

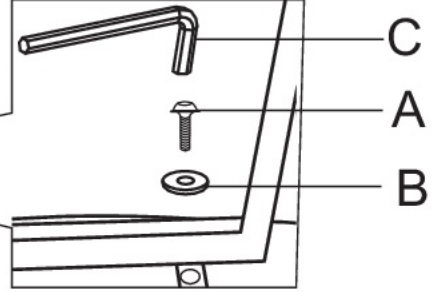
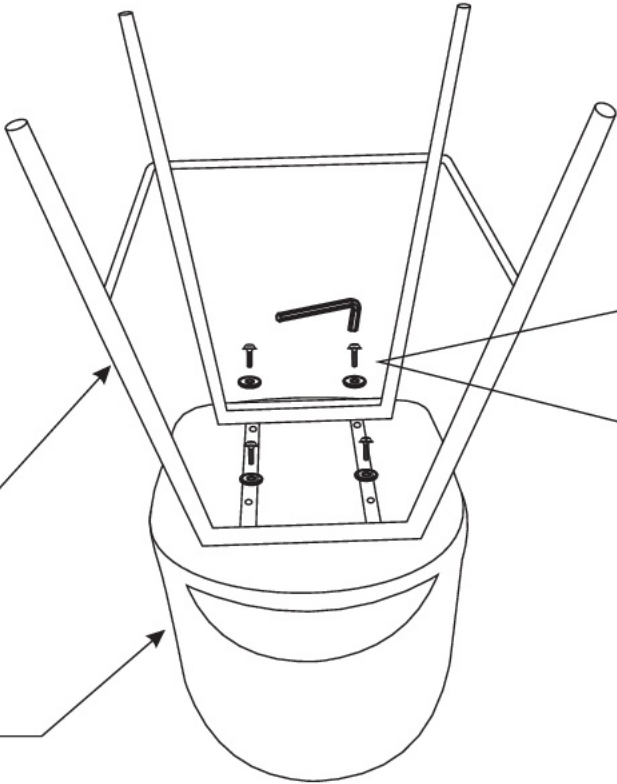
1x

①



2

1



②

