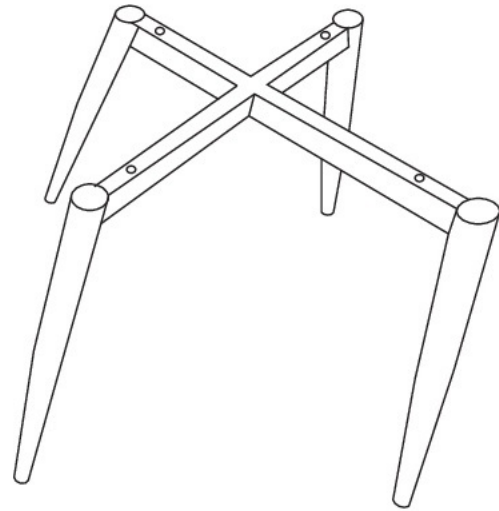
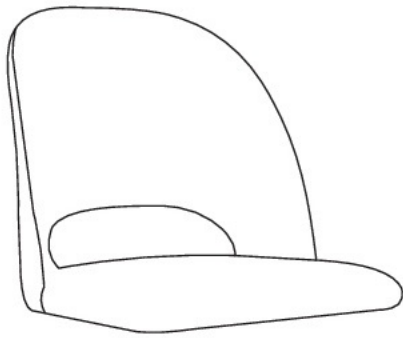


1

2



1	1x
2	1x

A



M6*50mm

4x

B



Ø18*Ø6*1.5mm

4x

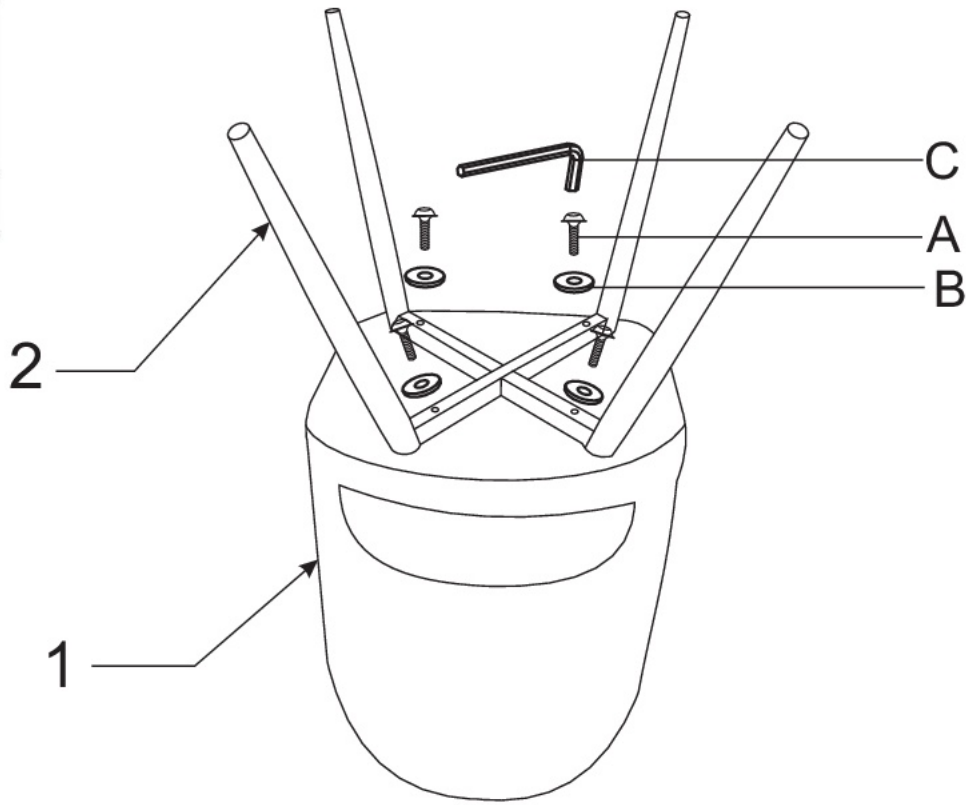
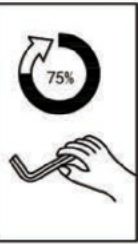
C



5mm

1x

①



②

