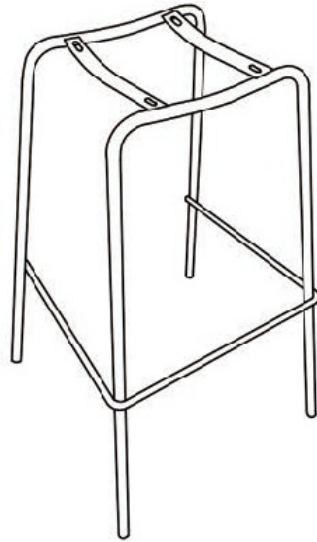


1

2



1	1x
2	1x

A



M6x20mm  
4x

B



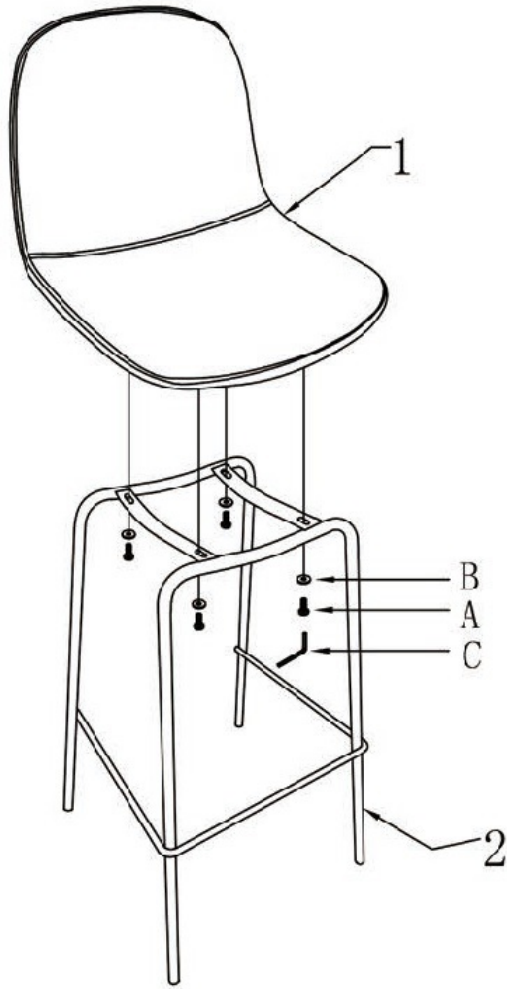
Ø18\*Ø6\*1.5mm  
4x

C



4mm  
1x

①



②

