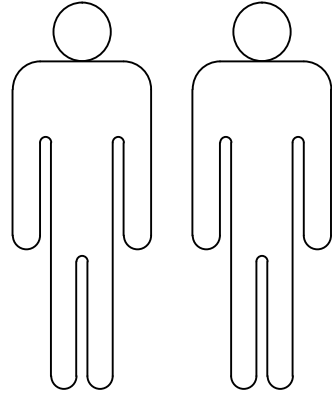
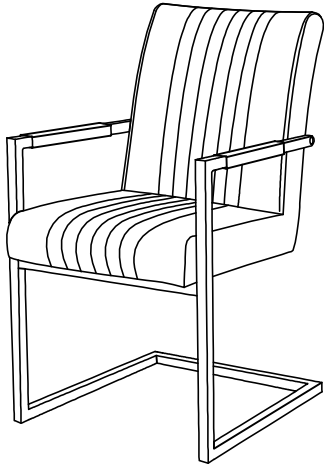
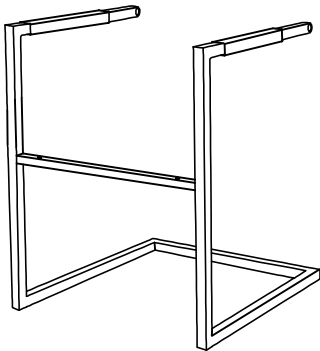




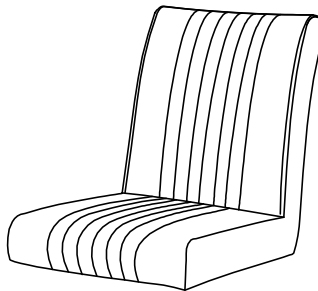
W A Z O



1

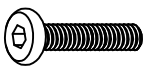


2



1	1x
2	1x

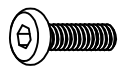
A



M6x40mm

2x

B



M6x30mm

2x

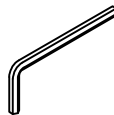
C



ϕ 18x ϕ 6x1.5mm

2x

D



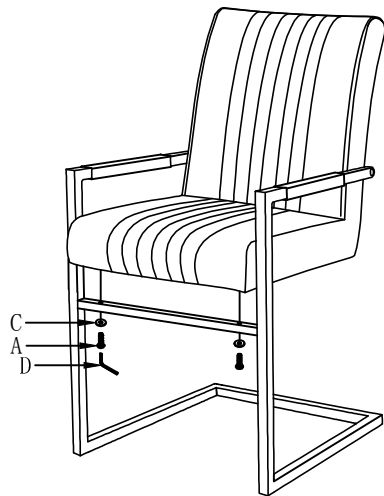
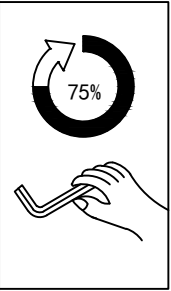
4MM

1x

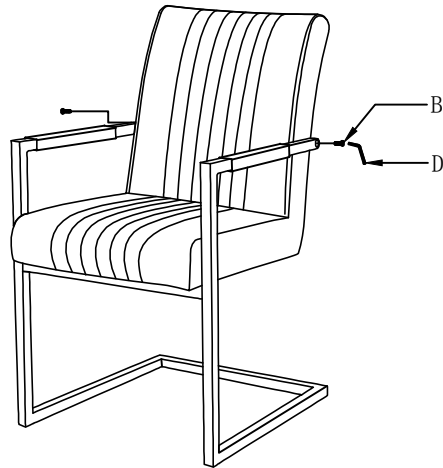
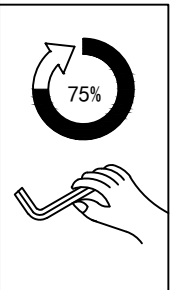
E

F

1



2



3

