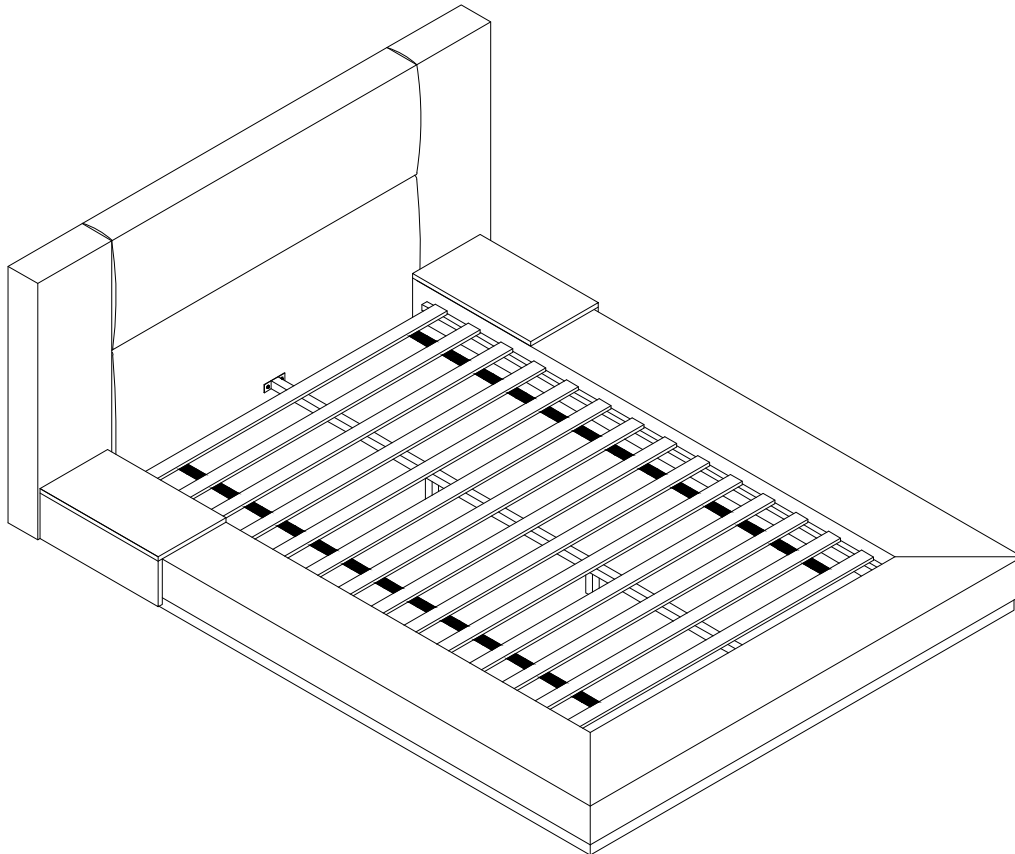


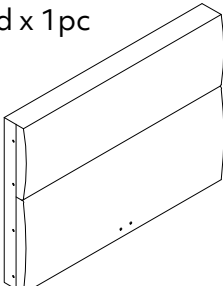
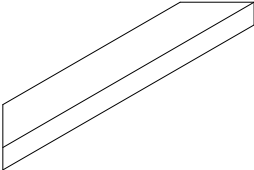
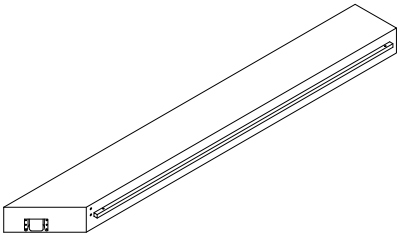
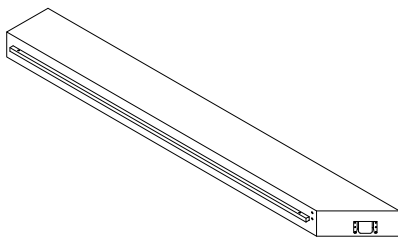
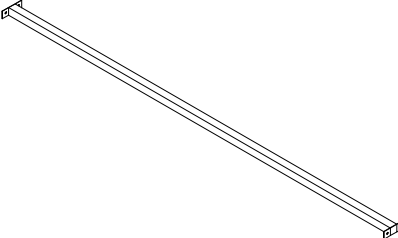
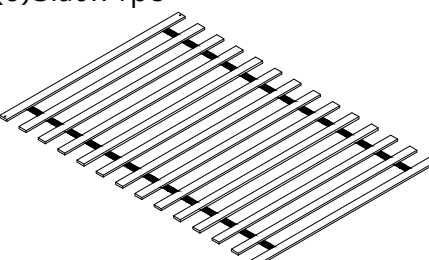
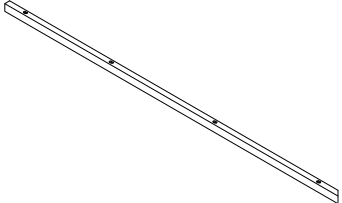
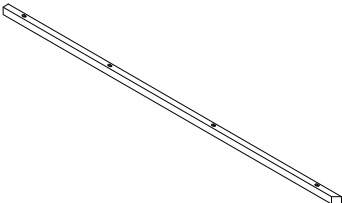
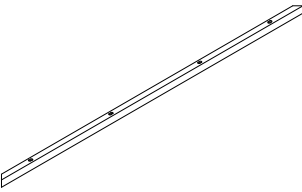
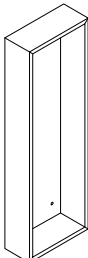
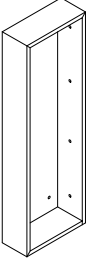
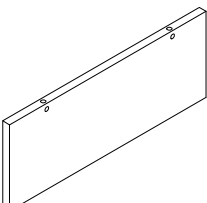
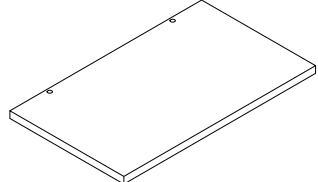

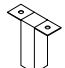
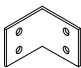
# Brooklyn Bed B1049Q



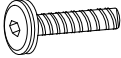
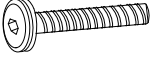
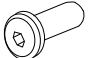
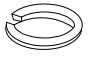




## **IMPORTANT NOTE**

1. PLEASE CHECK THAT ALL PARTS ARE PRESENT BEFORE YOU START THE ASSEMBLY OF YOUR FURNITURE.
2. FOR THE PROTECTION OF YOUR FURNITURE, PLACE ALL PARTS ON A CLEAN AND SMOOTH SURFACE TO PREVENT ANY DAMAGE.
3. DO NOT USE POWER TOOLS TO ASSEMBLE THE BED.
4. PLEASE PERIODICALLY CHECK ALL FITTINGS AND RE-TIGHTEN AS NECESSARY.
5. DO NOT USE THE BED UNLESS ALL BOLTS AND SCREWS ARE FIRMLY SECURED.

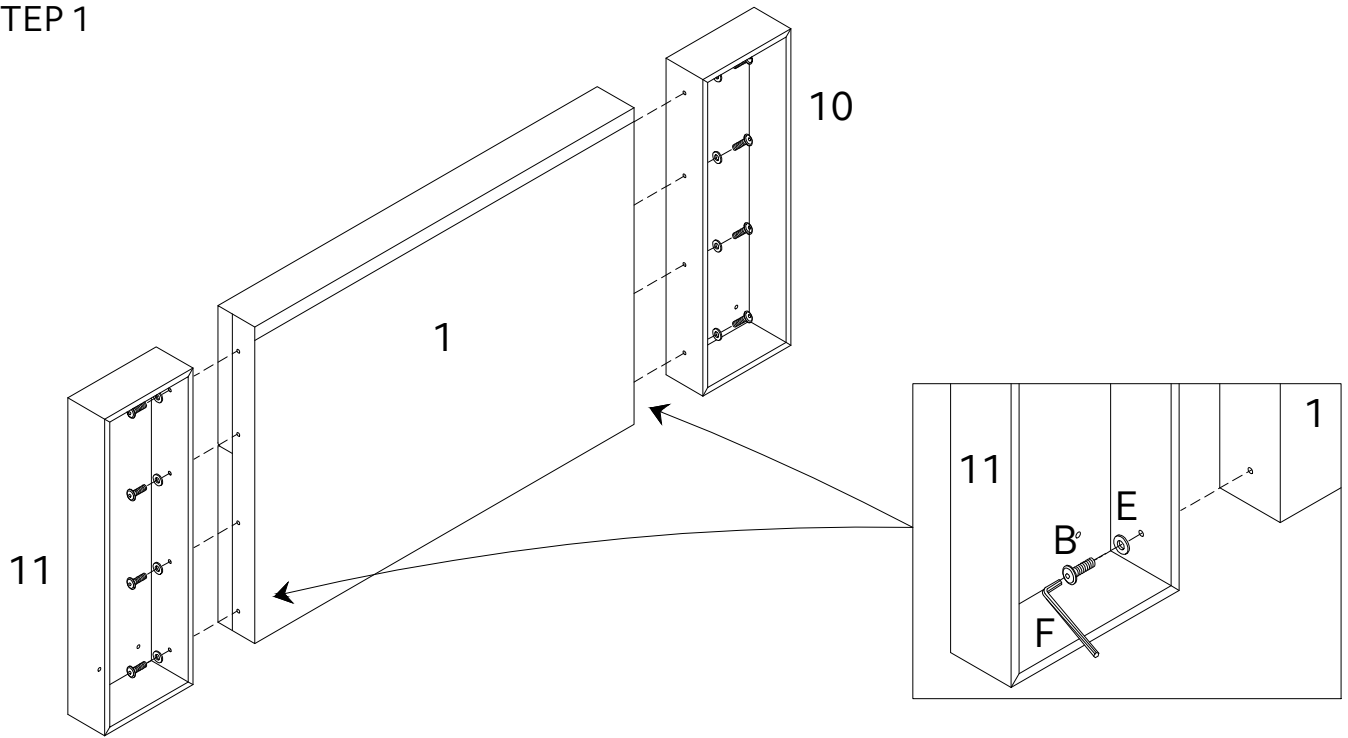
# PART LIST

<p>(1) Headboard x 1pc</p> 	<p>(2) Footboard x 1pc</p> 	<p>(3) Side Rail (Left) x 1pc</p> 	
<p>(4) Side Rail (right) x 1pc</p> 	<p>(5) Centre Support Bar x 1pc</p> 	<p>(6) Slat x 1pc</p> 	
<p>(7) x 1pc</p> 	<p>(8) x 1pc</p> 	<p>(9) x 1pc</p> 	
<p>(10) x 1pc</p> 	<p>(11) x 1pc</p> 	<p>(12) x 2pcs</p> 	
<p>(13) x 2pcs</p> 	<p>(14) Leg x 4pcs</p> 	<p>(15) Support Leg x 2pcs</p> 	<p>(16) Metal Plate x 2pcs</p> 

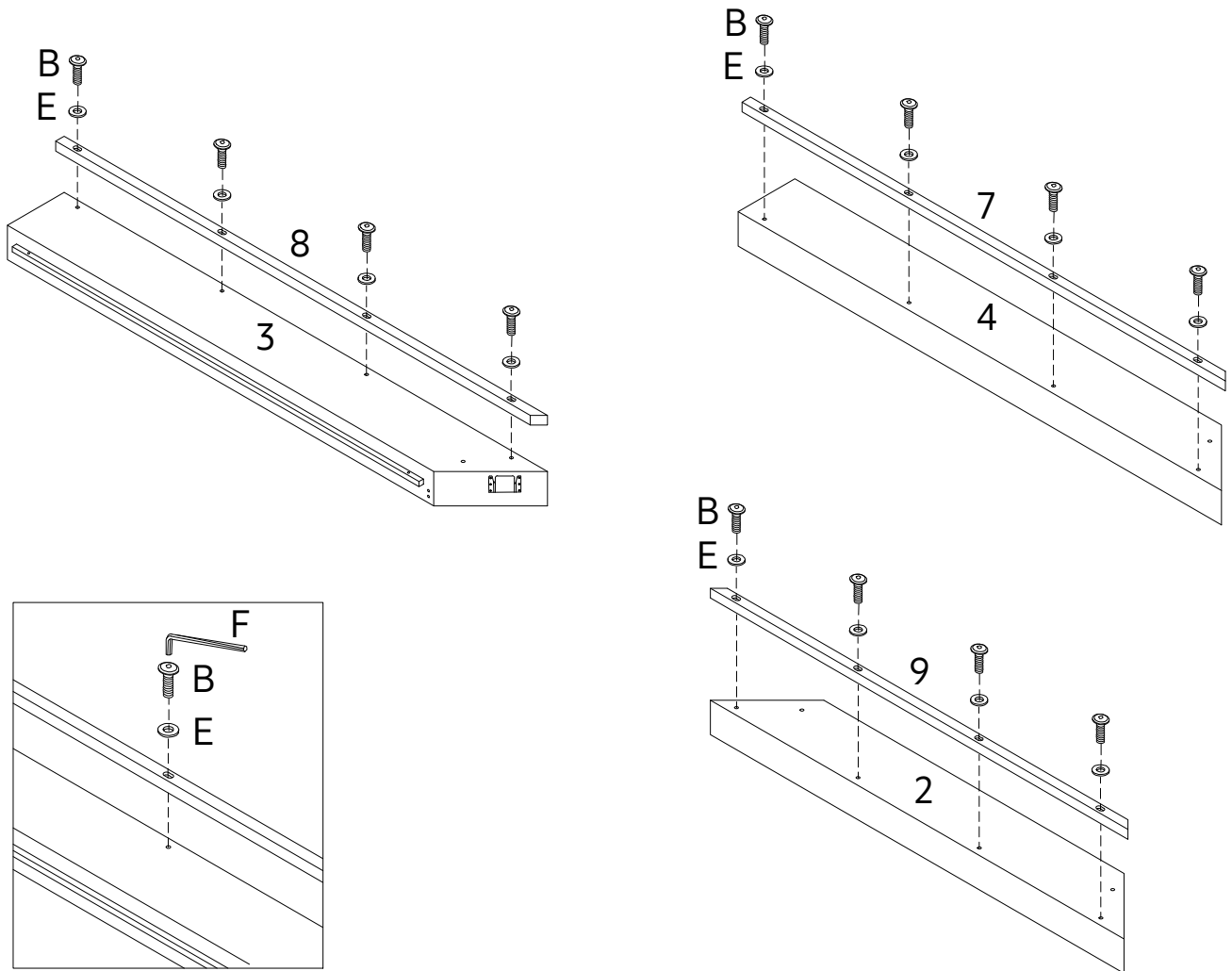
# HARDWARE LIST

<p>(A) Bolt M6 x 25mm x 16pcs</p> 	<p>(B) Bolt M6 x 45mm x 32pcs</p> 	<p>(C) SLEEVE NUT M6 x 20MM x 4pcs</p> 	<p>(D) Spring Washer x 8pcs</p> 
<p>(E) Flat Washer Ø16 x 6mm x 48pcs</p> 	<p>(F) Allen Key M4 x 1pc</p> 	<p>(G) x 4pcs</p> 	<p>(H) x 4pcs</p> 

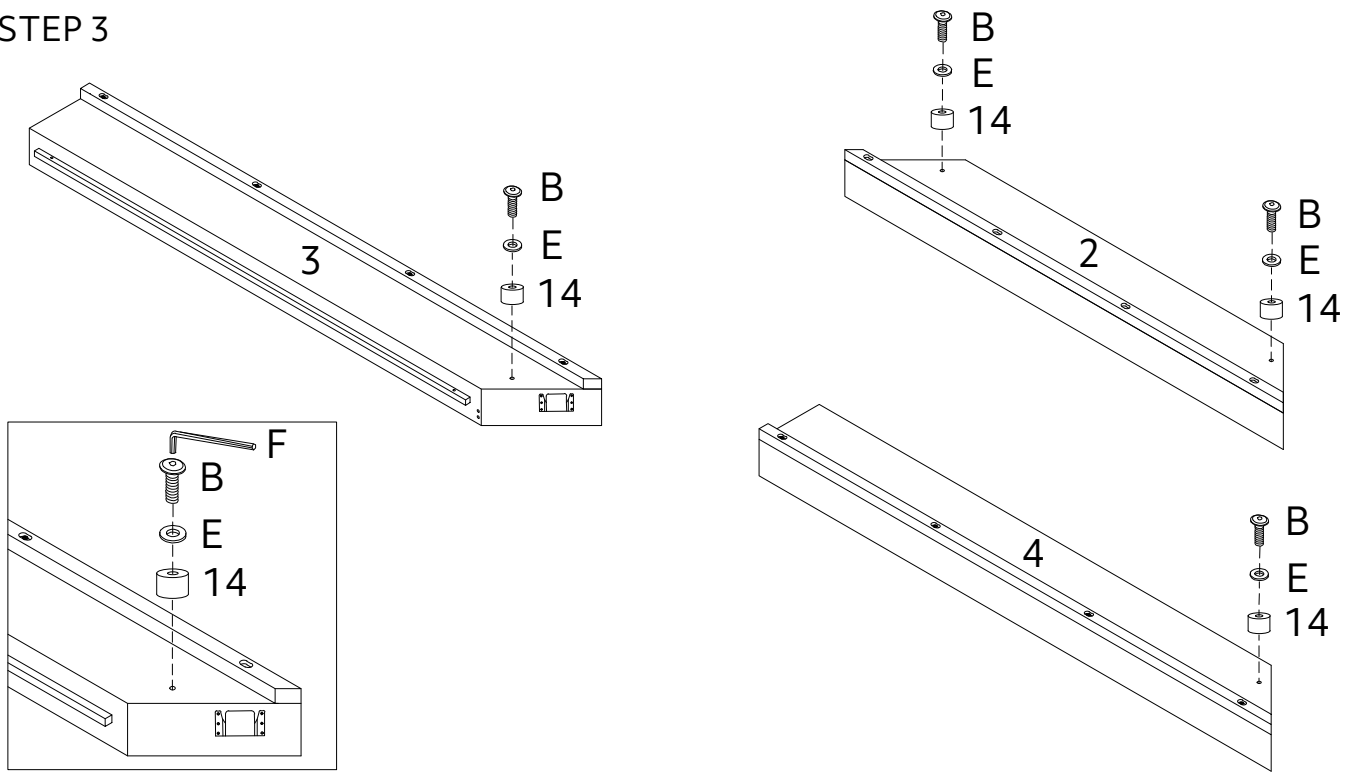
STEP 1



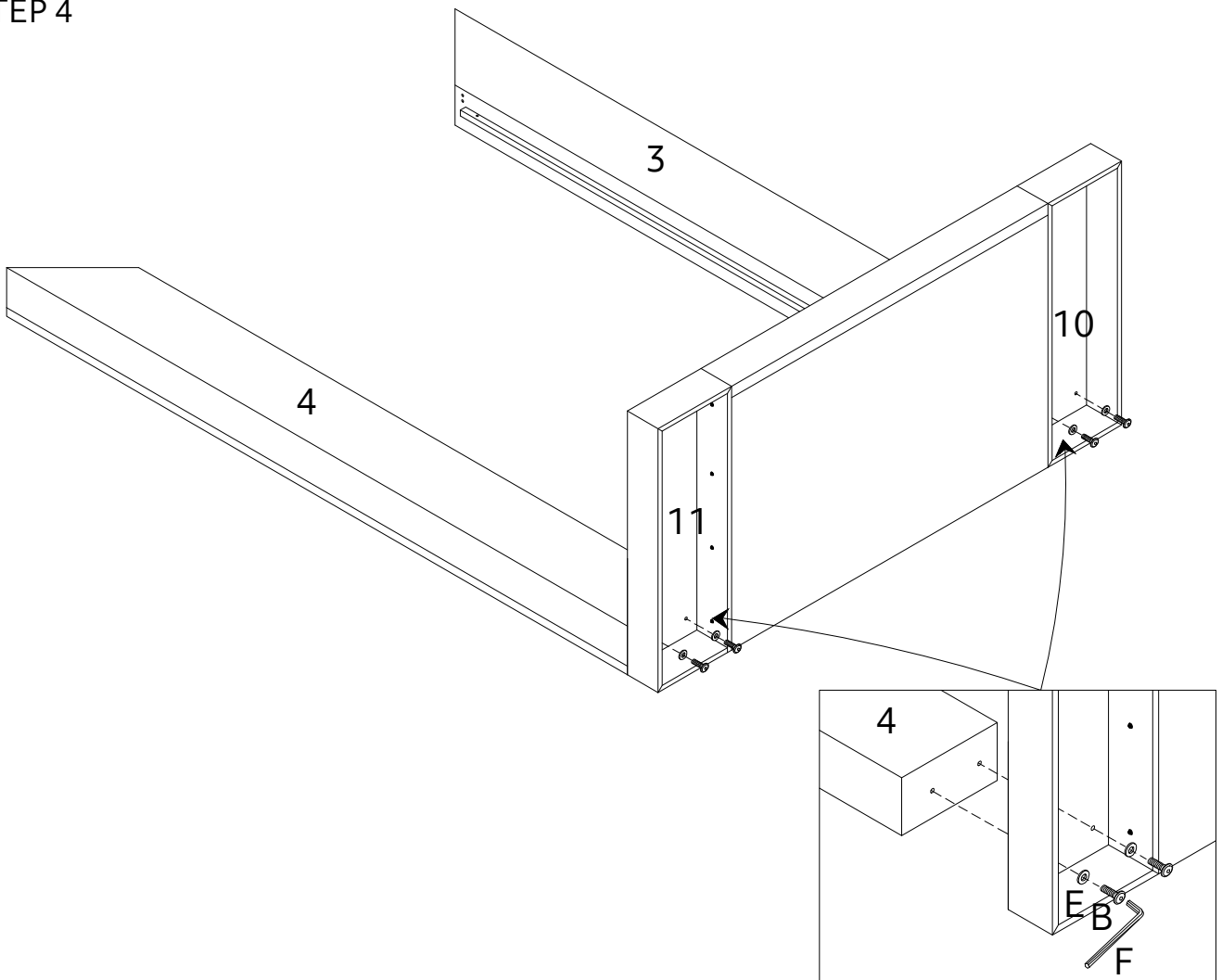
STEP 2



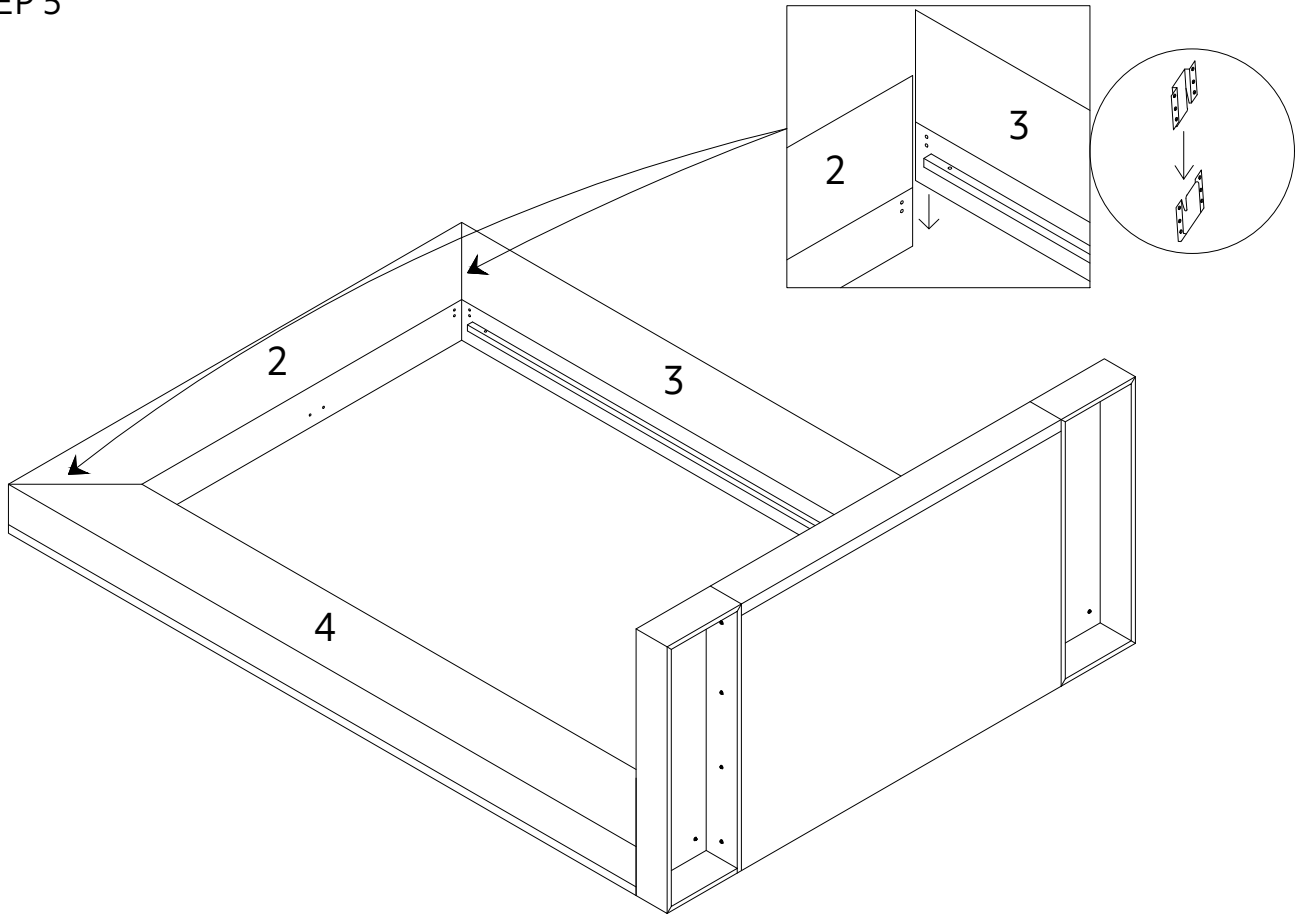
STEP 3



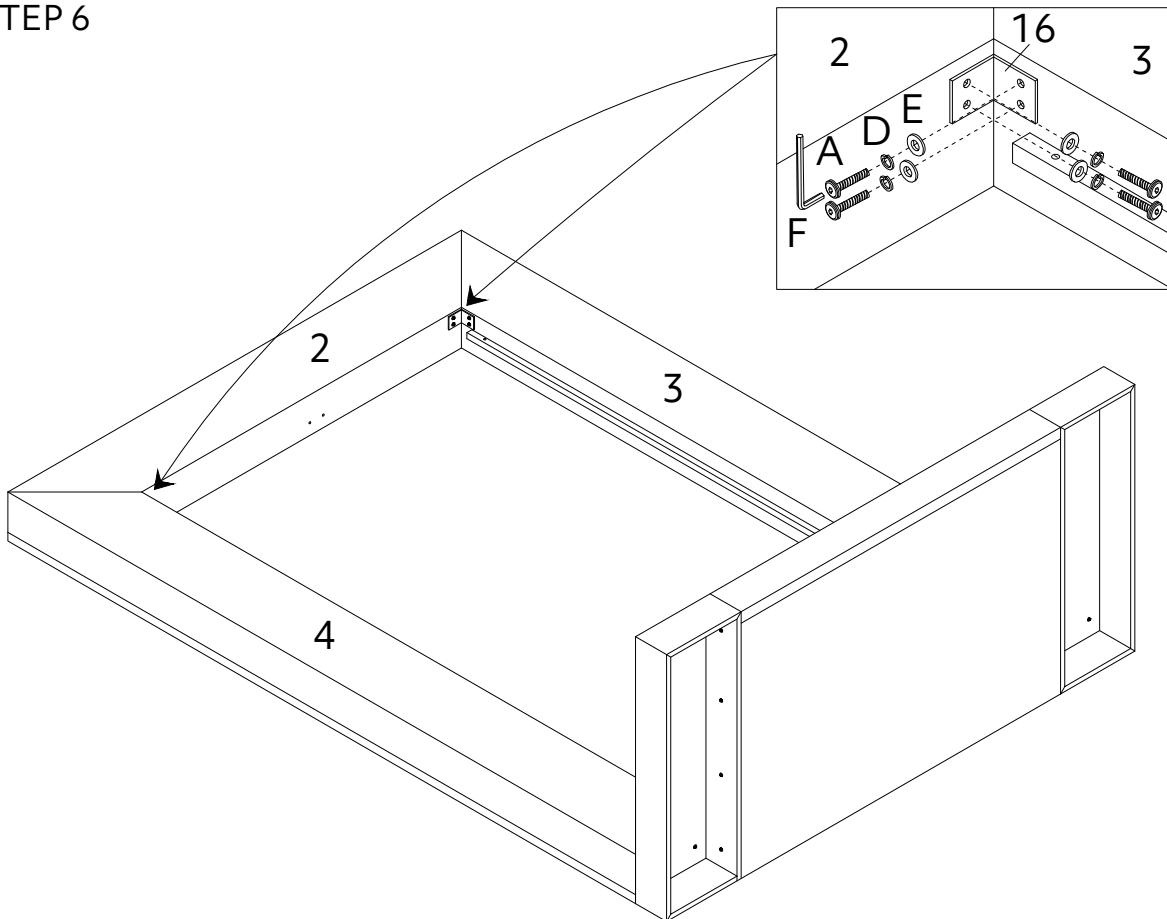
STEP 4



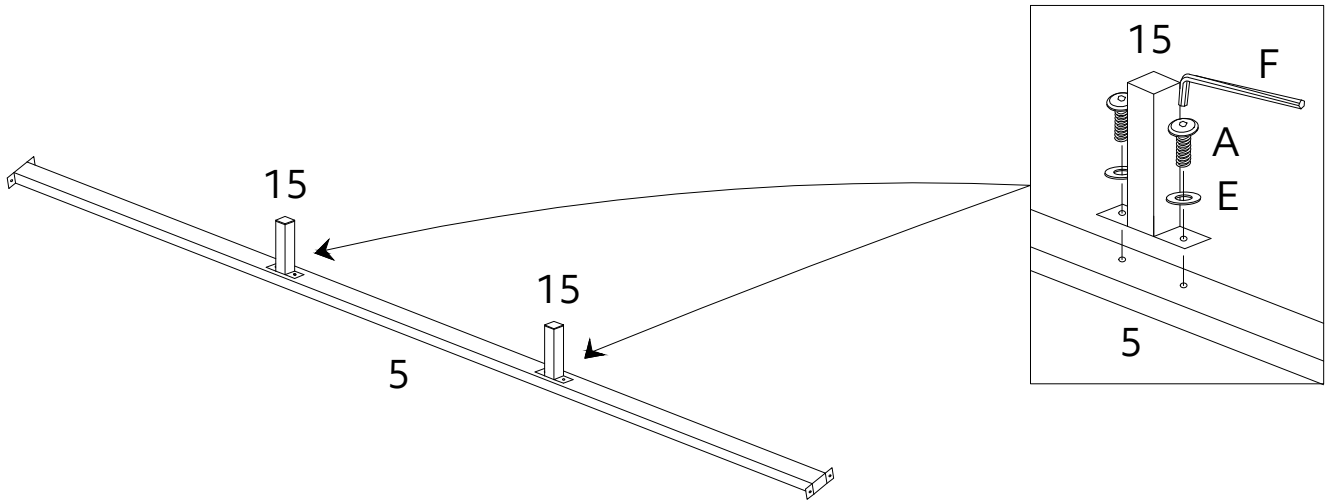
STEP 5



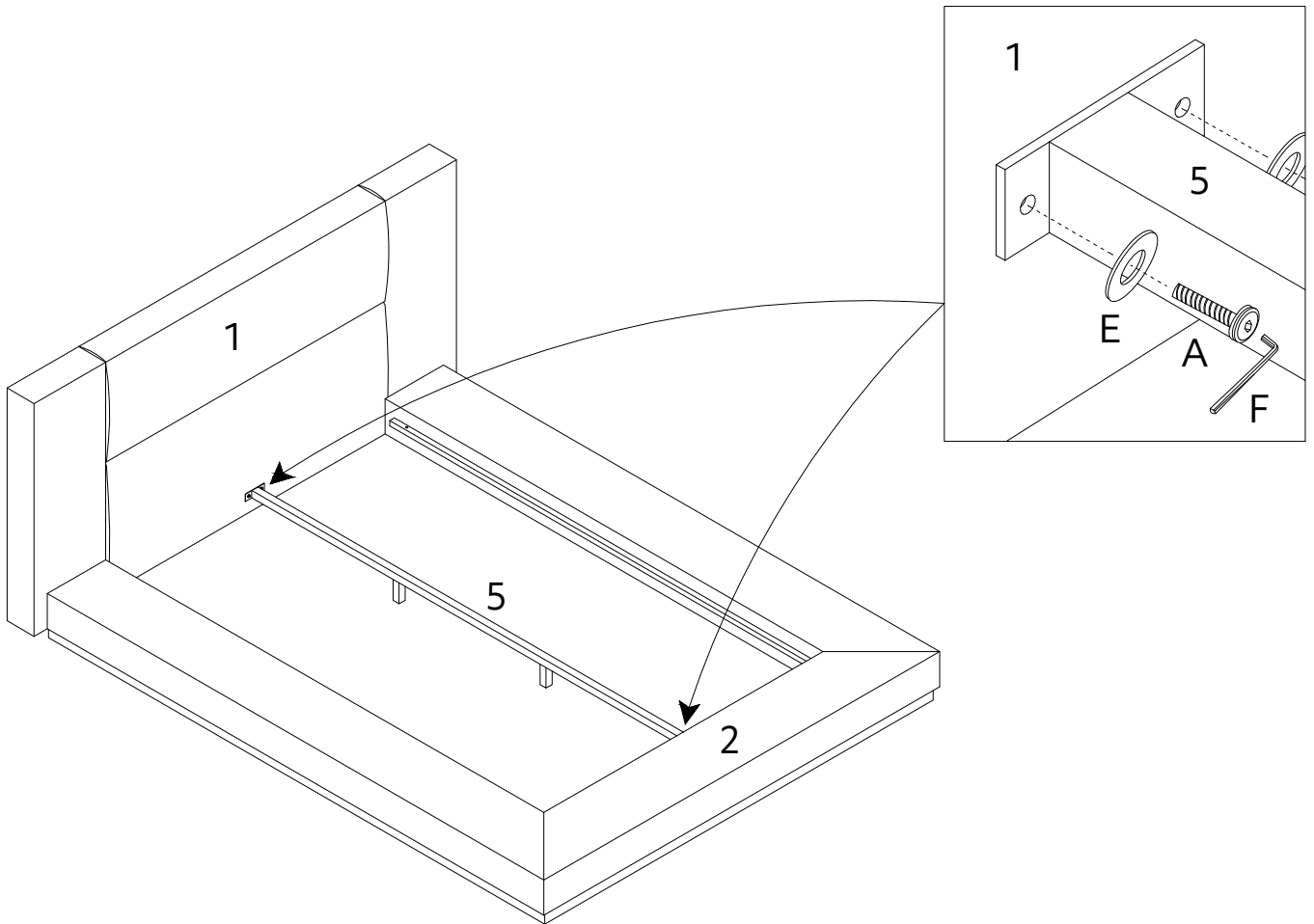
STEP 6



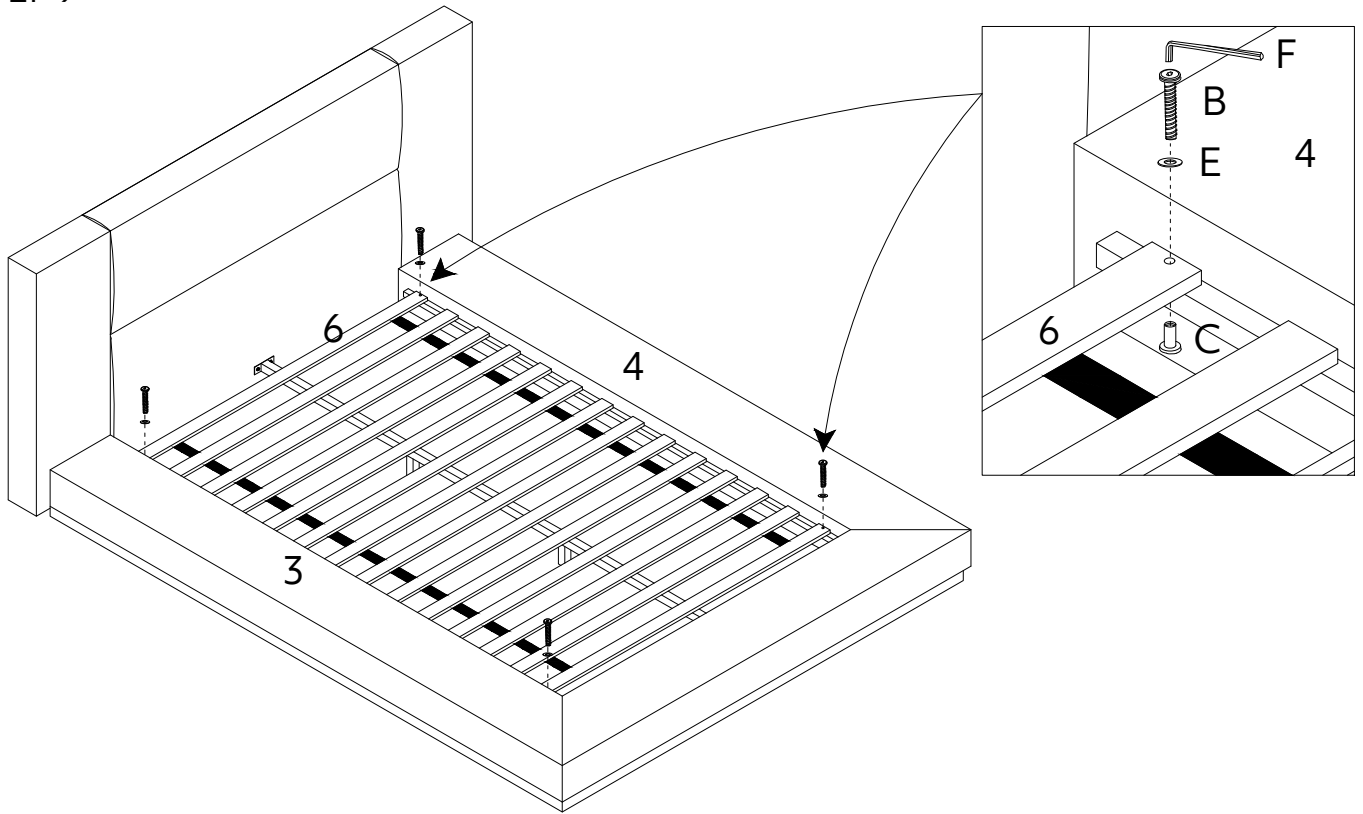
STEP 7



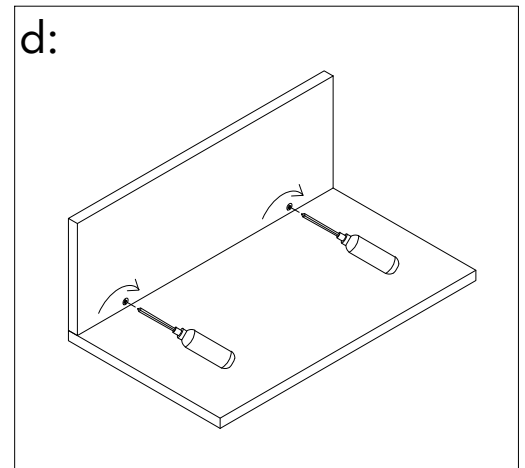
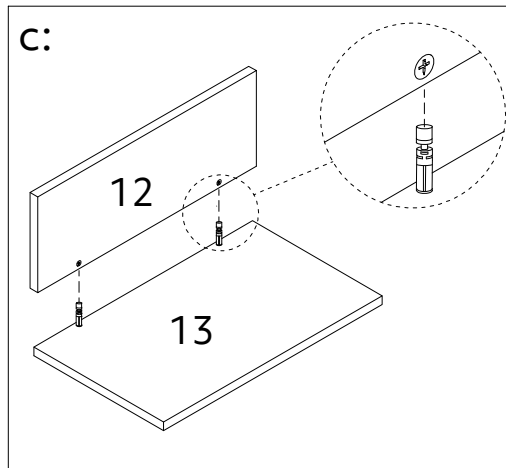
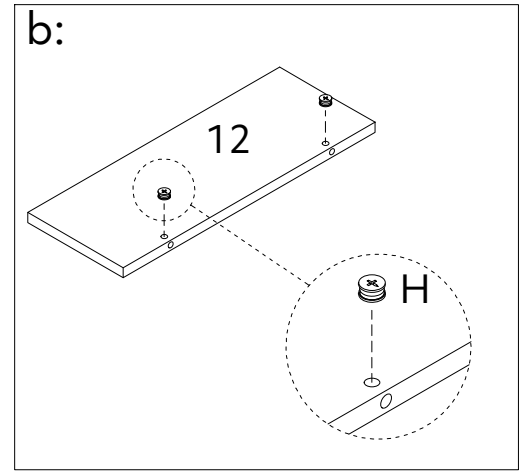
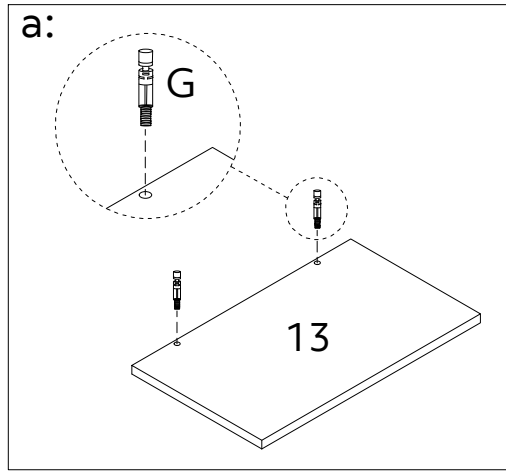
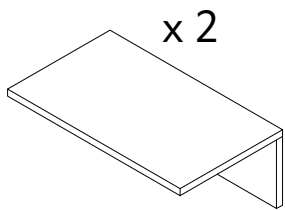
STEP 8



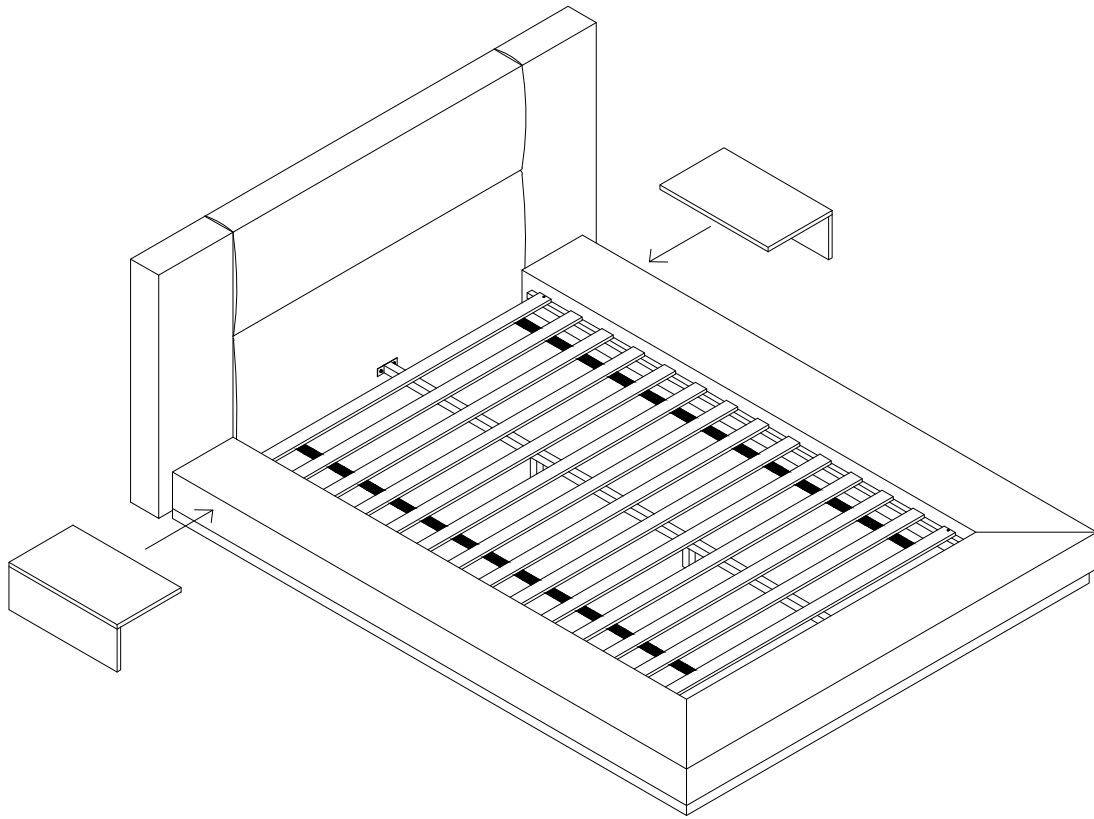
STEP 9



STEP 10



STEP 11



STEP 12

