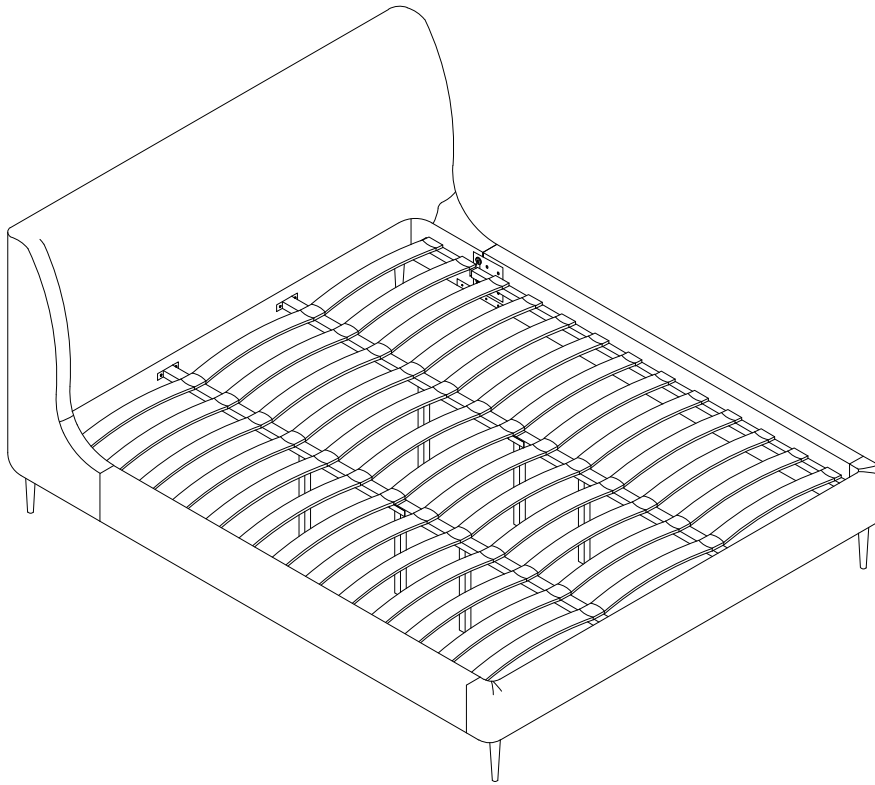


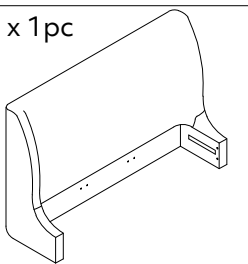
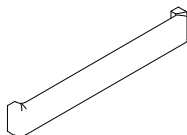
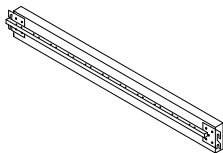
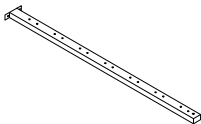
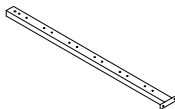
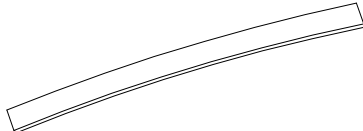
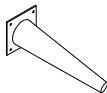
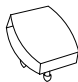
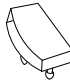
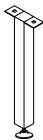
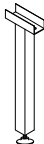
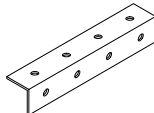
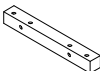
Meredith Fabric Bed B1032K



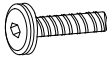
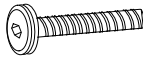





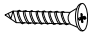
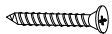
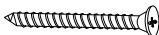
IMPORTANT NOTE

1. PLEASE CHECK THAT ALL PARTS ARE PRESENT BEFORE YOU START THE ASSEMBLY OF YOUR FURNITURE.
2. FOR THE PROTECTION OF YOUR FURNITURE, PLACE ALL PARTS ON A CLEAN AND SMOOTH SURFACE TO PREVENT ANY DAMAGE.
3. DO NOT USE POWER TOOLS TO ASSEMBLE THE BED.
4. PLEASE PERIODICALLY CHECK ALL FITTINGS AND RE-TIGHTEN AS NECESSARY.
5. DO NOT USE THE BED UNLESS ALL BOLTS AND SCREWS ARE FIRMLY SECURED.

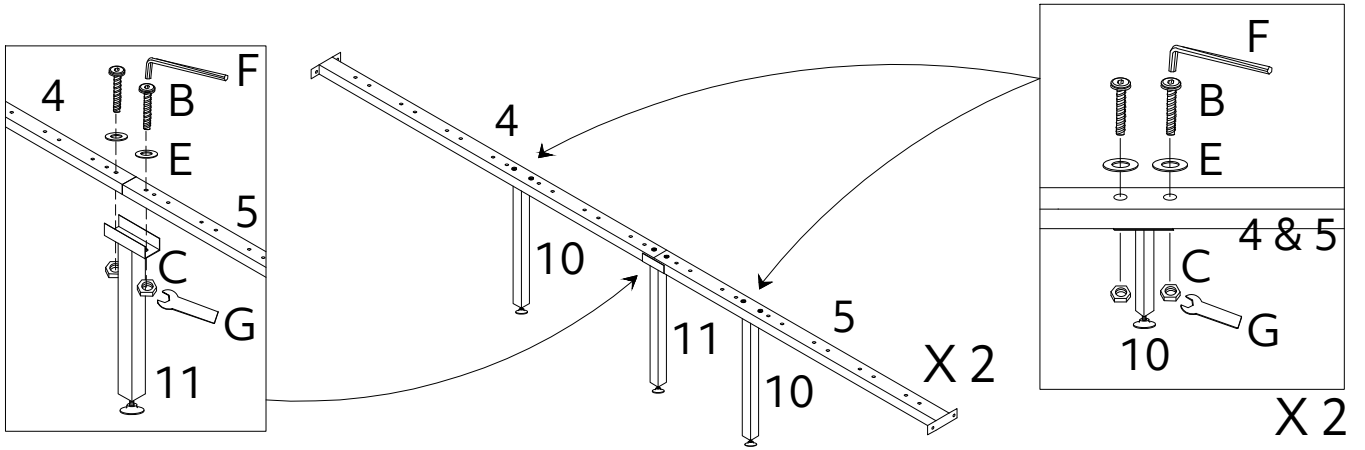
PART LIST

<p>(1)Headboard x 1pc</p> 	<p>(2)Footboard x 1pc</p> 	<p>(3)Side Rail x 2pcs</p> 
<p>(4)Centre Support Bar I x 2pcs</p> 	<p>(5)Centre Support Bar II x 2pcs</p> 	<p>(6)Slat x 39pcs</p> 
<p>(7)Leg x 4pcs</p> 	<p>(8)Double Plastic Cap x 26pcs</p> 	<p>(9)Single Plastic Cap x 26pcs</p> 
<p>(10)Support Leg I x 4pcs</p> 	<p>(11)Support Leg II x 2pcs</p> 	<p>(12)Connection Metal Bar x 2pcs</p> 
<p>(13)Metal Support Rail x 2pcs</p> 		

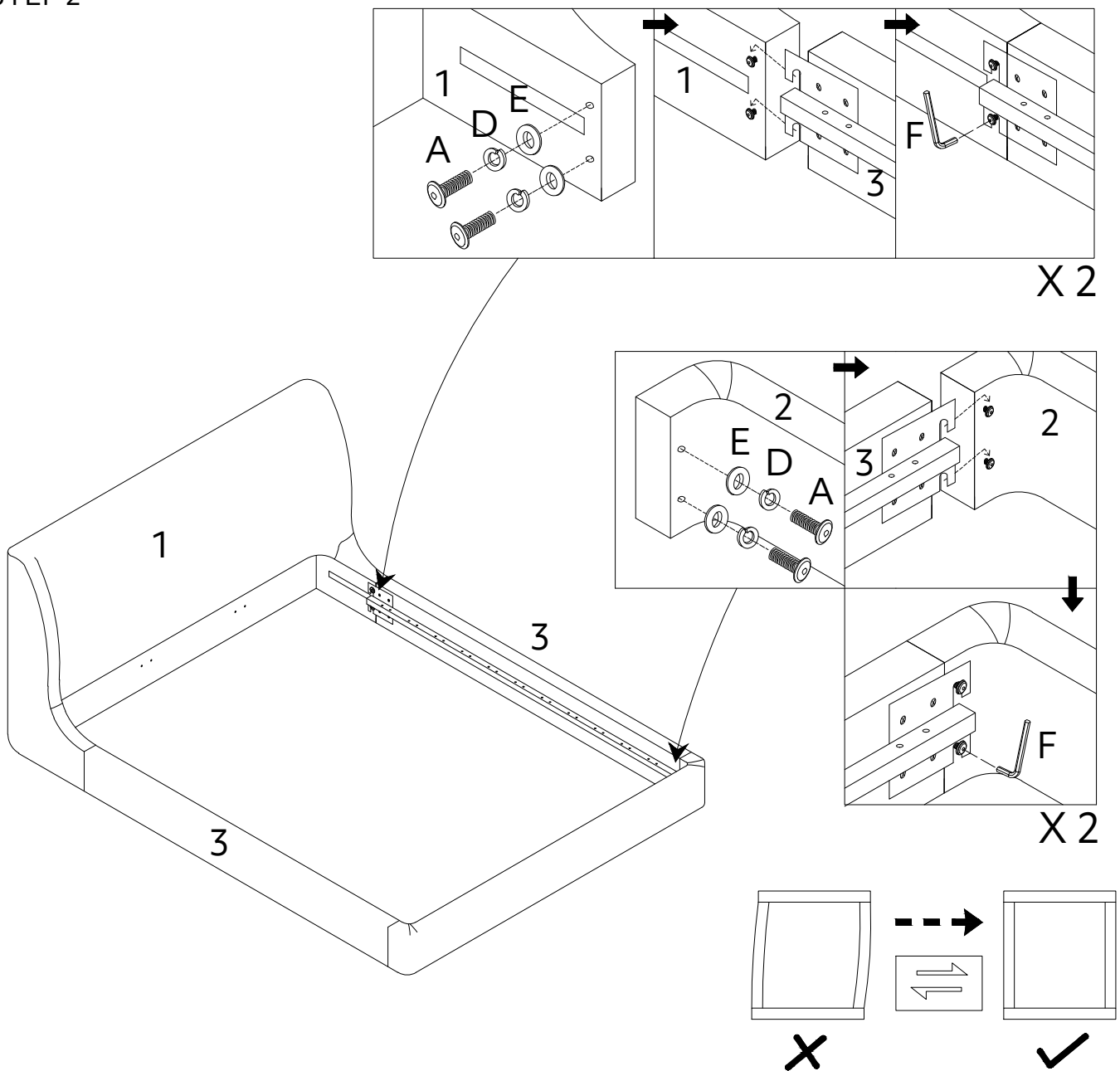
HARDWARE LIST

<p>(A)Bolt M8 x 25mm x 16pcs</p> 	<p>(B)Bolt M8 x40mm x 12pcs</p> 	<p>(C)Nut M8 x 13mm x 12pcs</p> 	<p>(D)Spring Washer x 8pcs</p> 
<p>(E)Flat Washer x 28pcs</p> 	<p>(F)Allen Key M5 x 1pc</p> 	<p>(G)Spanner x 1pc</p> 	<p>(H)Screw M4 x 20mm x 16pcs</p> 
<p>(I)Screw M4 x 35mm x 16pcs</p> 	<p>(J)Black Screw M5 x 45mm x 4pcs</p> 		

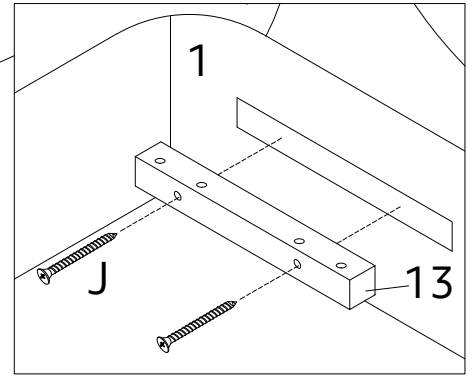
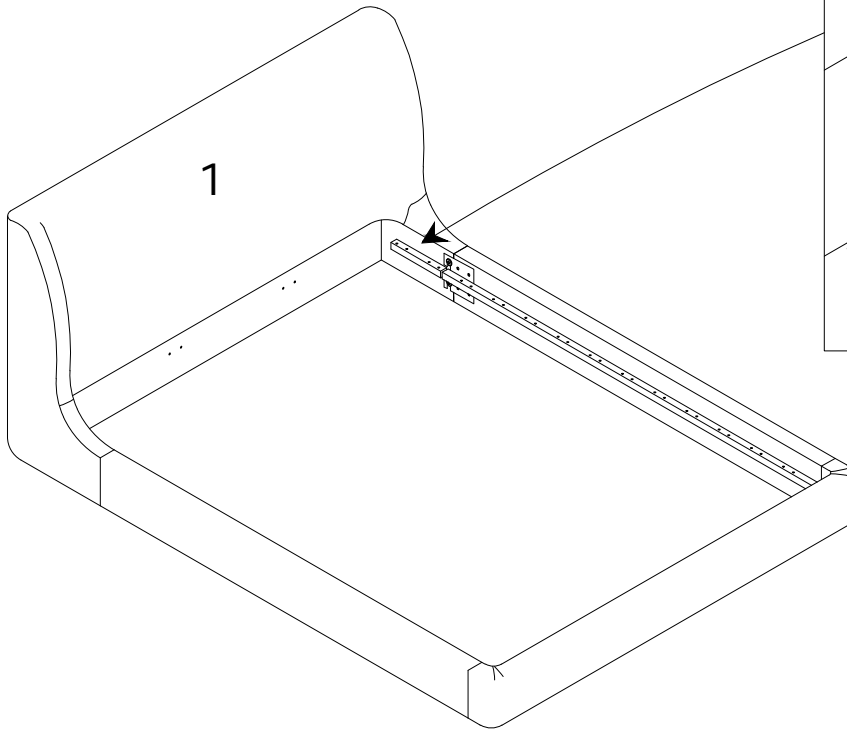
STEP 1



STEP 2

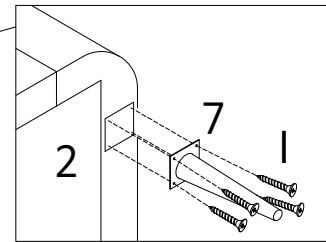
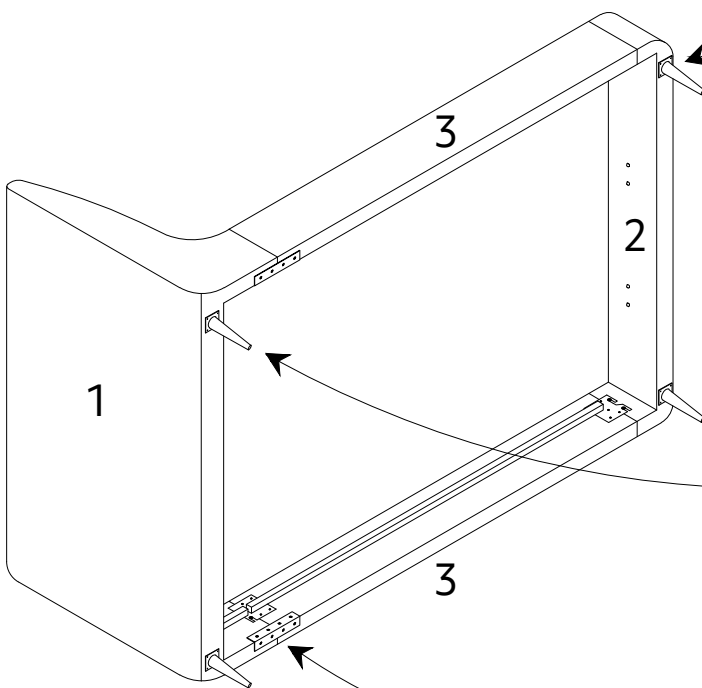


STEP 3

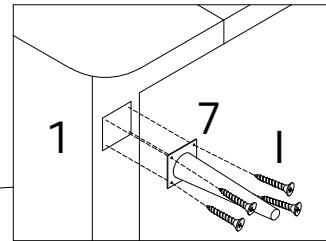


X 2

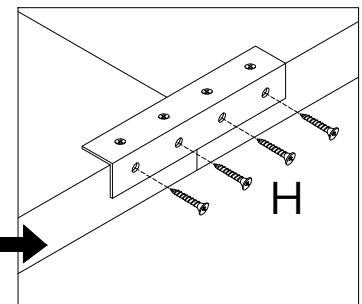
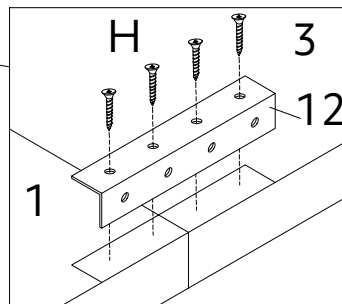
STEP 4



X 2

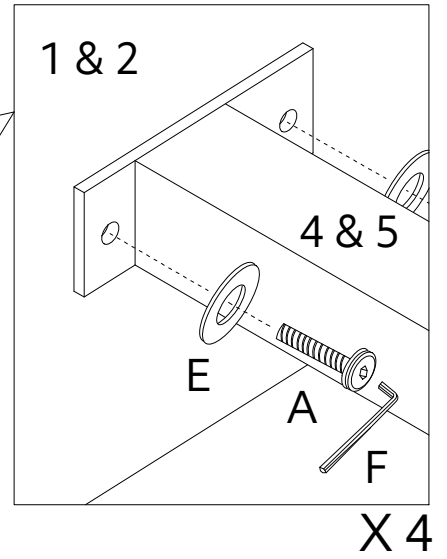
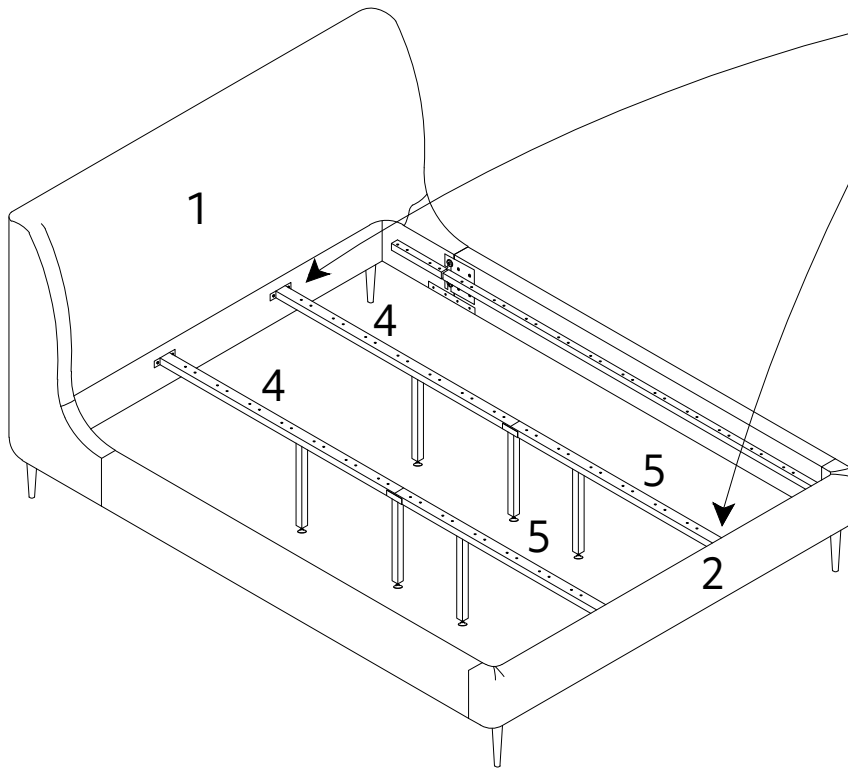


X 2



X 2

STEP 5



STEP 6

