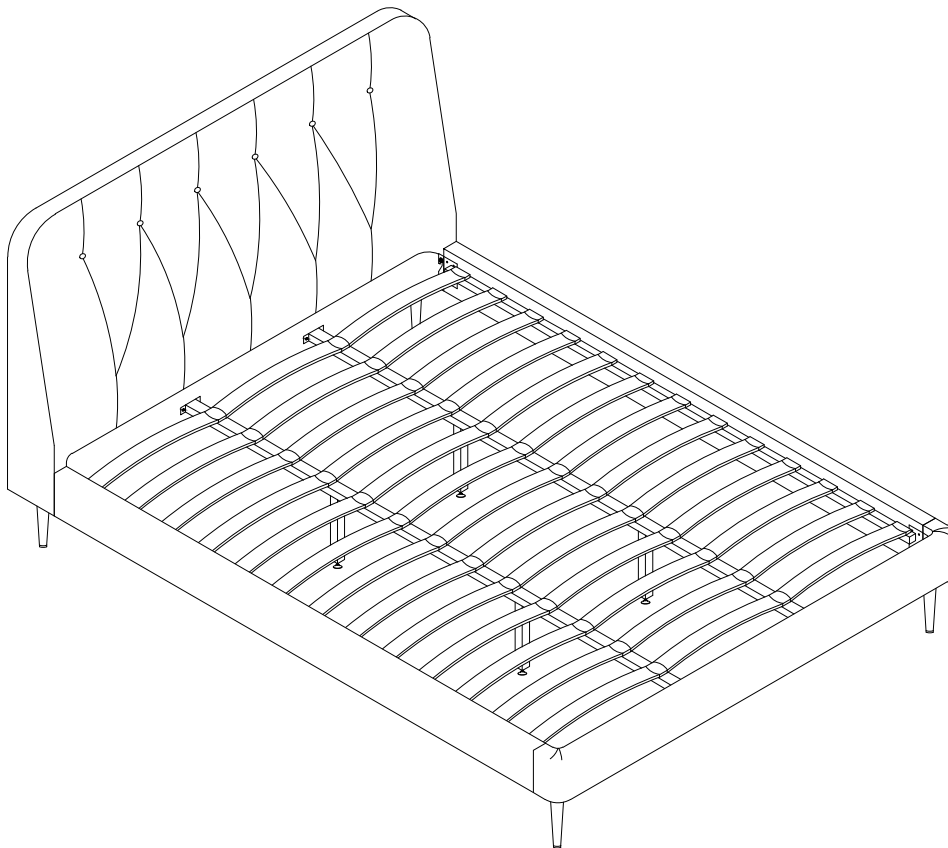


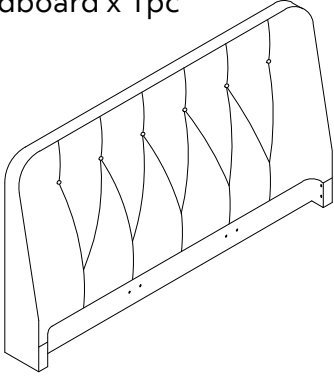
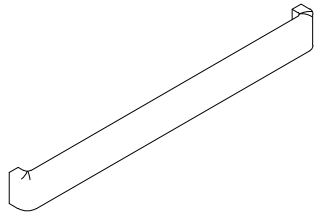
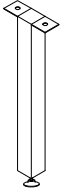
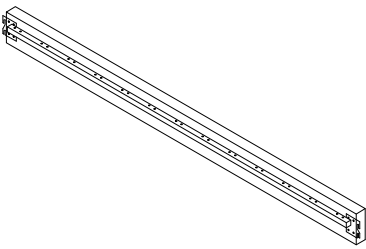
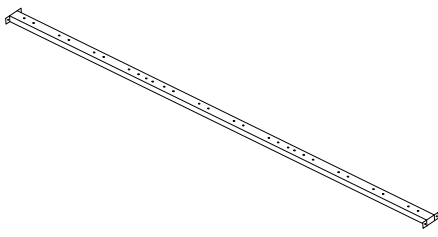
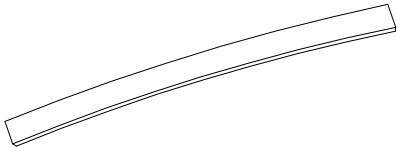
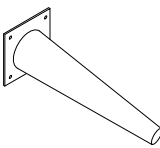


# Clara Fabric Bed B1027K



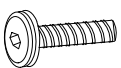
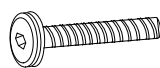

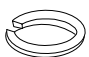



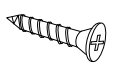
## **IMPORTANT NOTE**

1. PLEASE CHECK THAT ALL PARTS ARE PRESENT BEFORE YOU START THE ASSEMBLY OF YOUR FURNITURE.
2. FOR THE PROTECTION OF YOUR FURNITURE, PLACE ALL PARTS ON A CLEAN AND SMOOTH SURFACE TO PREVENT ANY DAMAGE.
3. DO NOT USE POWER TOOLS TO ASSEMBLE THE BED.
4. PLEASE PERIODICALLY CHECK ALL FITTINGS AND RE-TIGHTEN AS NECESSARY.
5. DO NOT USE THE BED UNLESS ALL BOLTS AND SCREWS ARE FIRMLY SECURED.

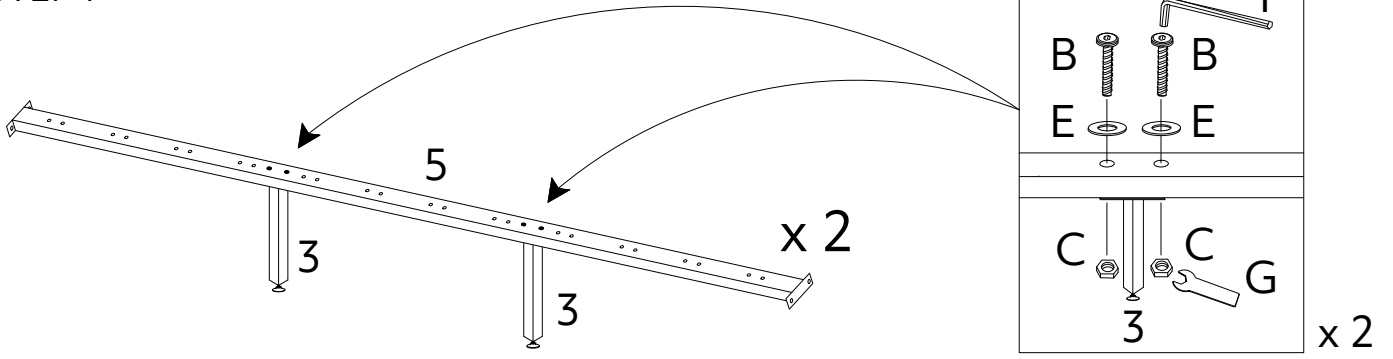
# PART LIST

<p>(1) Headboard x 1pc</p> 	<p>(2) Footboard x 1pc</p> 	<p>(3) Support Leg x 4pcs</p> 
<p>(4) Side Rail x 2pcs</p> 	<p>(5) Centre Support Bar x 2pcs</p> 	<p>(6) Slat x 39pcs</p> 
<p>(7) Leg x 4pcs</p> 	<p>(8) Double Plastic Cap x 26pcs</p> 	<p>(9) Single Plastic Cap x 26pcs</p> 

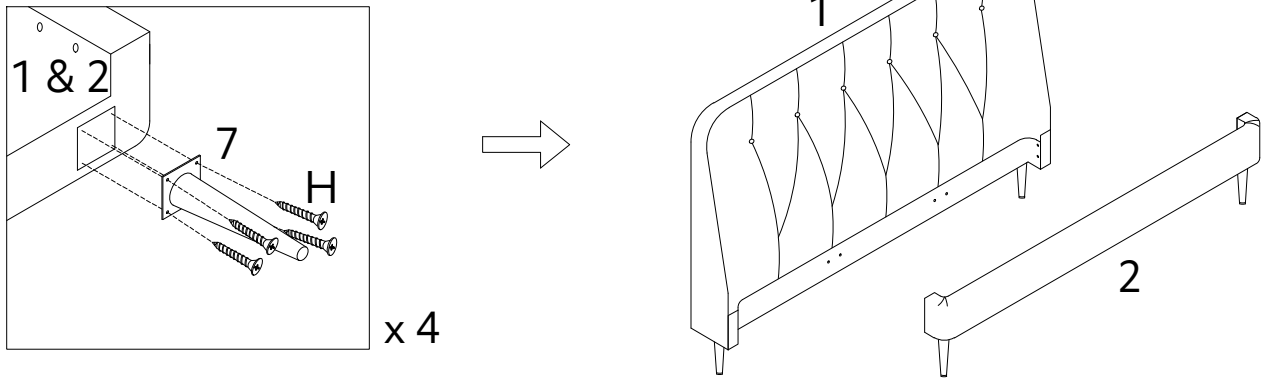
# HARDWARE LIST

<p>(A) Bolt M8 x 25mm x 16pcs</p> 	<p>(B) Bolt M8 x 40mm x 8pcs</p> 	<p>(C) Nut M8 x 13mm x 8pcs</p> 	<p>(D) Spring Washer x 8pcs</p> 
<p>(E) Flat Washer x 24pcs</p> 	<p>(F) Allen Key M5 x 1pc</p> 	<p>(G) Spanner x 1pc</p> 	<p>(H) Screw M4 x 35mm x 16pcs</p> 

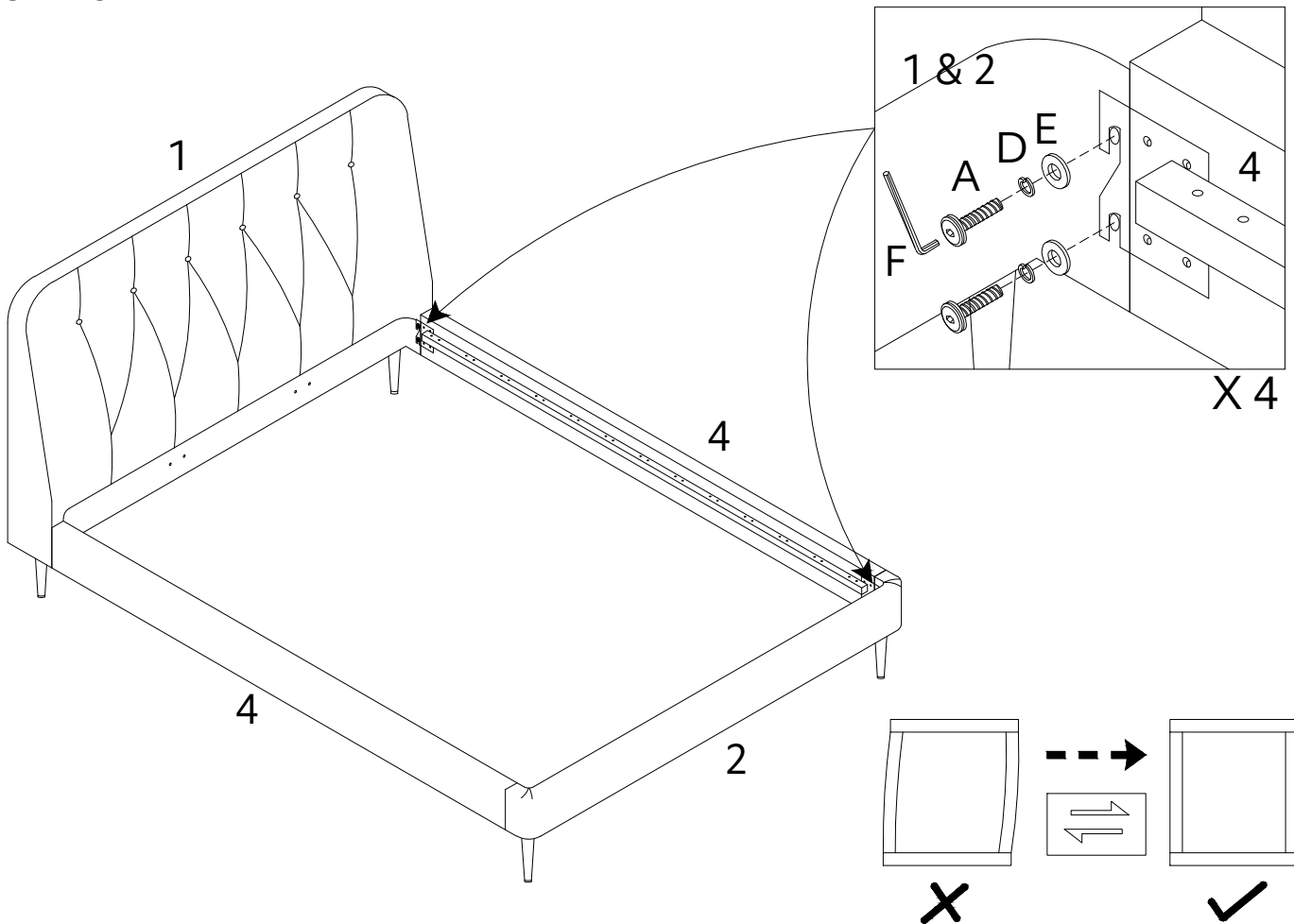
STEP 1



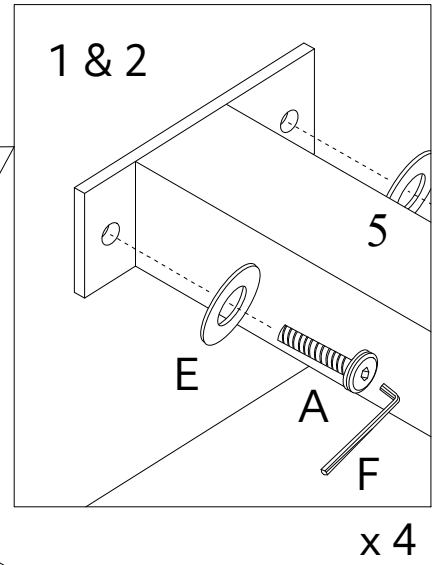
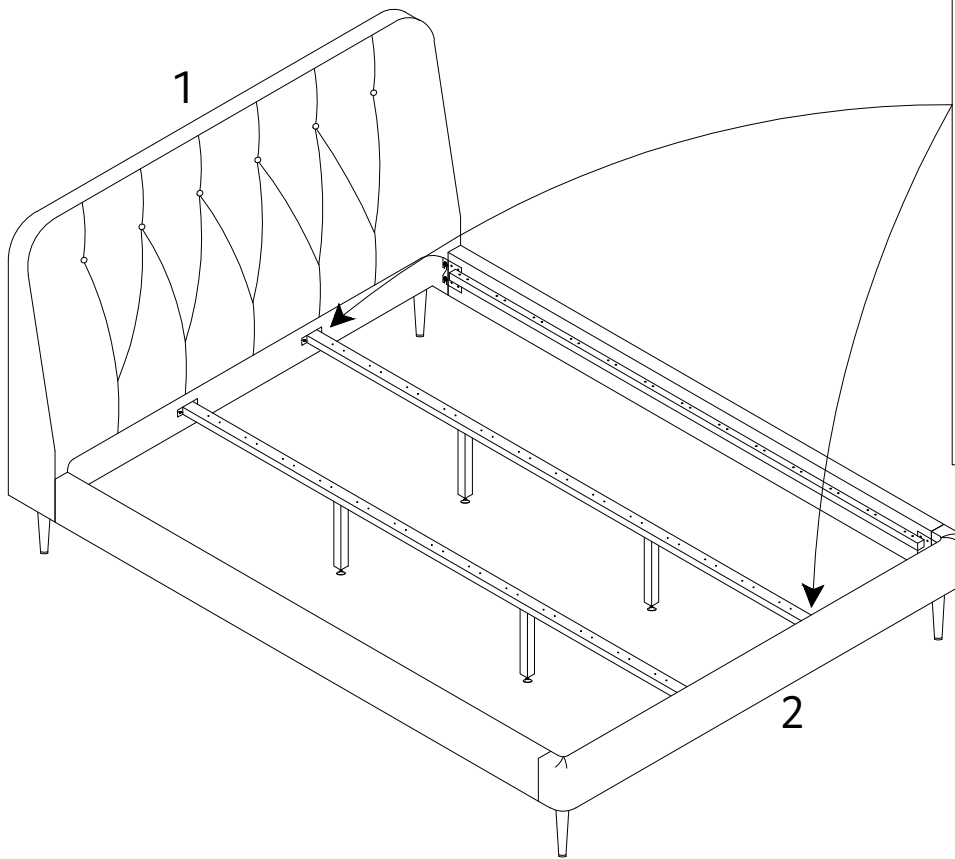
STEP 2



STEP 3



STEP 4



STEP 5

