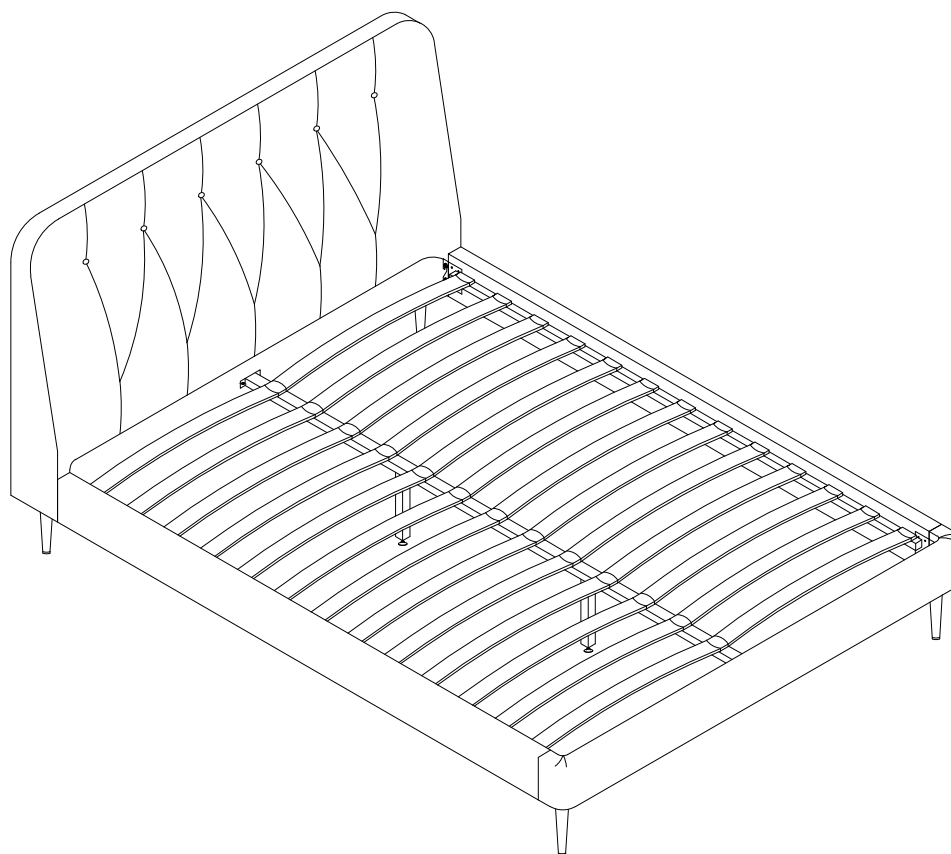


# Clara Fabric Bed B1026Q

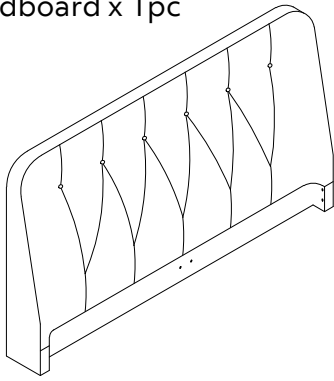


## **IMPORTANT NOTE**

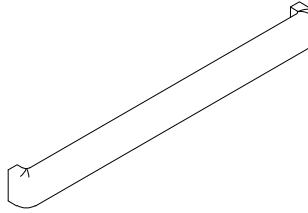
1. PLEASE CHECK THAT ALL PARTS ARE PRESENT BEFORE YOU START THE ASSEMBLY OF YOUR FURNITURE.
2. FOR THE PROTECTION OF YOUR FURNITURE, PLACE ALL PARTS ON A CLEAN AND SMOOTH SURFACE TO PREVENT ANY DAMAGE.
3. DO NOT USE POWER TOOLS TO ASSEMBLE THE BED.
4. PLEASE PERIODICALLY CHECK ALL FITTINGS AND RE-TIGHTEN AS NECESSARY.
5. DO NOT USE THE BED UNLESS ALL BOLTS AND SCREWS ARE FIRMLY SECURED.

# PART LIST

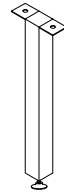
(1) Headboard x 1pc



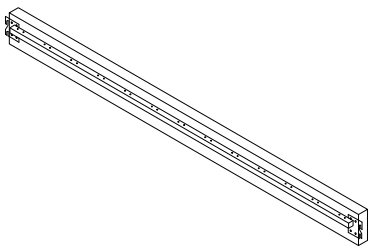
(2) Footboard x 1pc



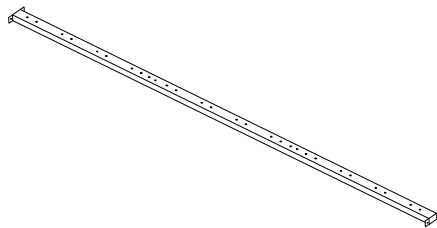
(3) Support Leg x 2pcs



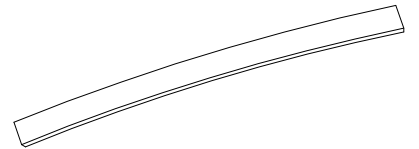
(4) Side Rail x 2pcs



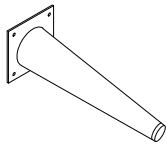
(5) Centre Support Bar x 1pc



(6) Slat x 26pcs



(7) Leg x 4pcs



(8) Double Plastic Cap x 13pcs

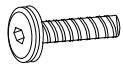


(9) Single Plastic Cap x 26pcs

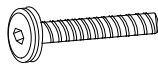


# HARDWARE LIST

(A) Bolt M8 x 25mm x 12pcs



(B) Bolt M8 x 40mm x 4pcs



(C) Nut M8 x 13mm x 4pcs



(D) Spring Washer x 8pcs



(E) Flat Washer x 16pcs



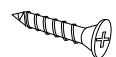
(F) Allen Key M5 x 1pc



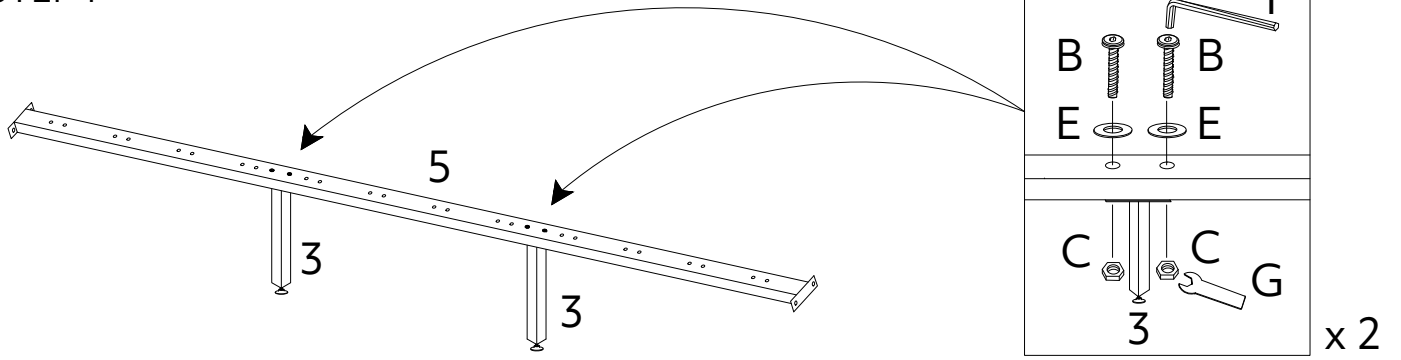
(G) Spanner x 1pc



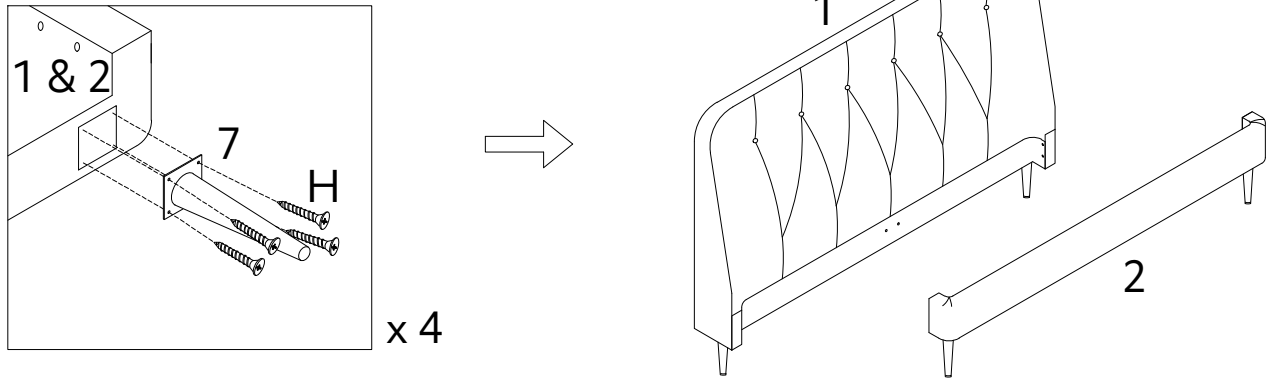
(H) Screw M4 x 35mm x 16pcs



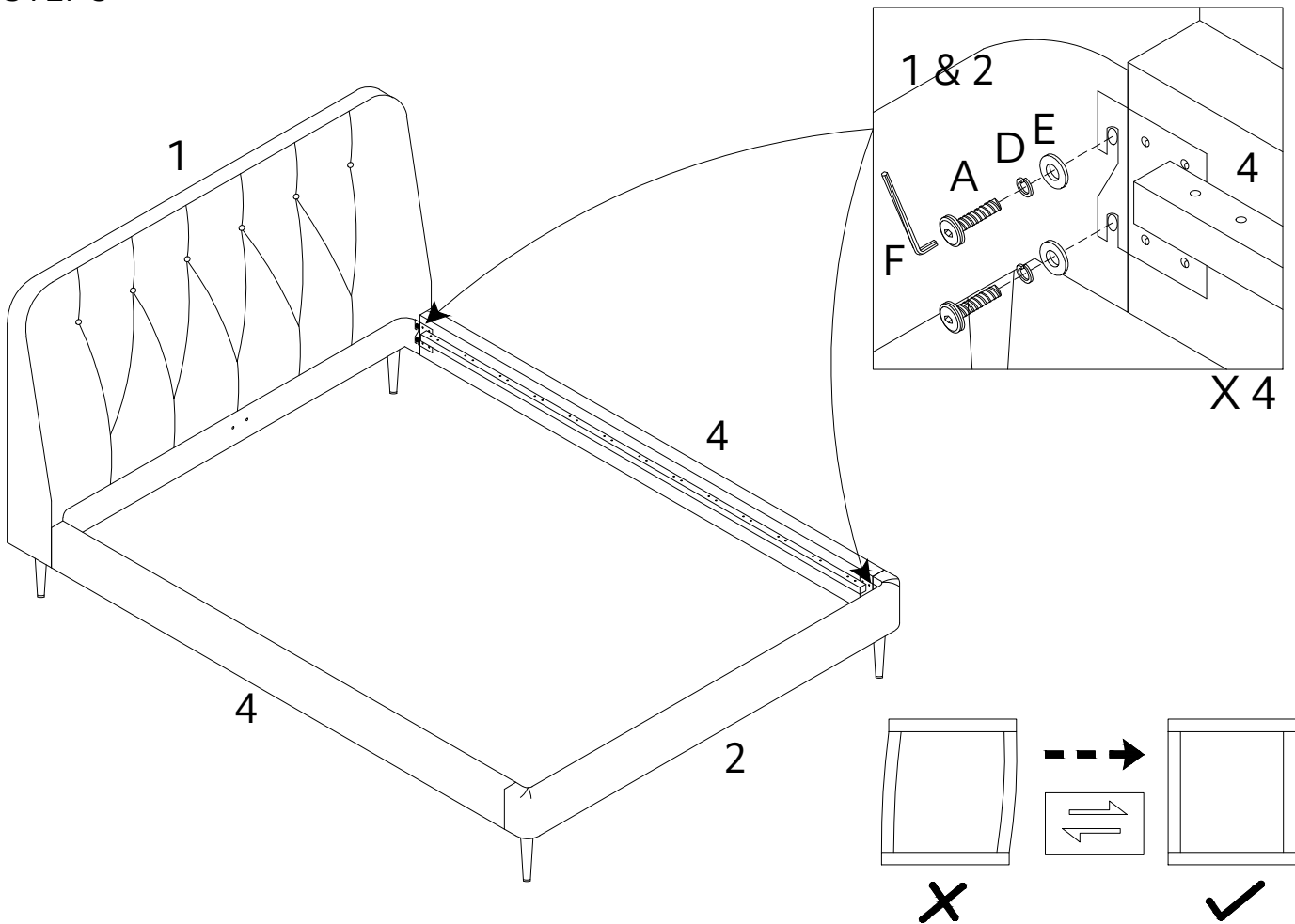
STEP 1



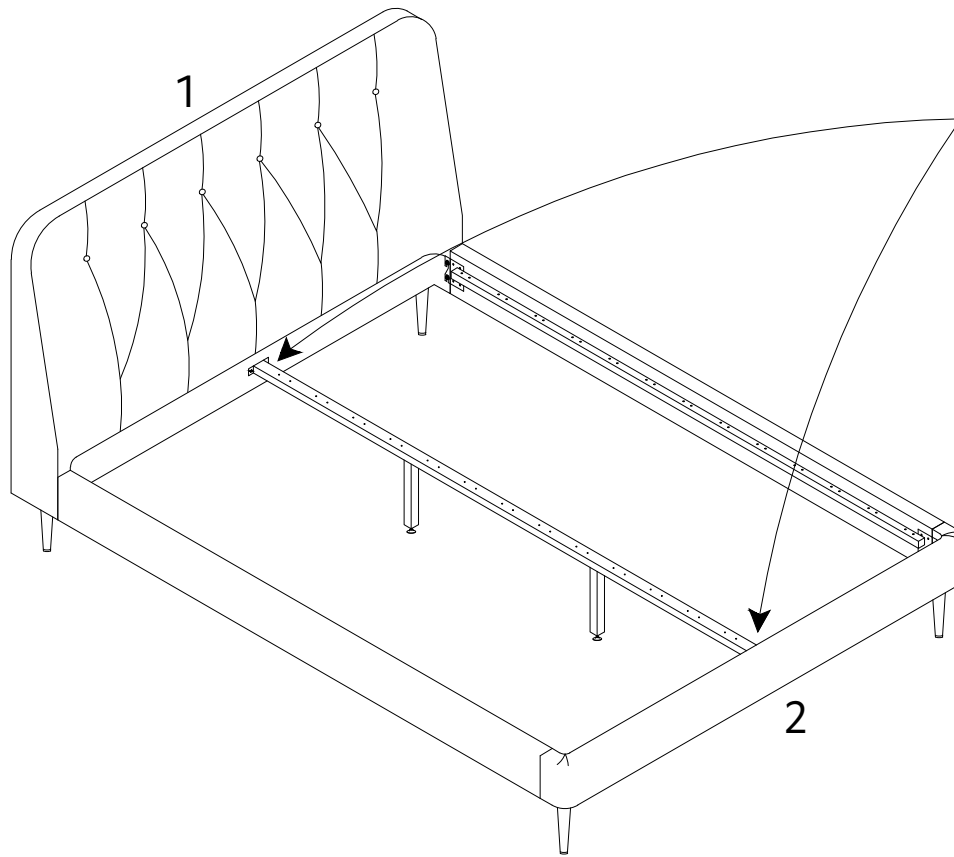
STEP 2



STEP 3



STEP 4



STEP 5

