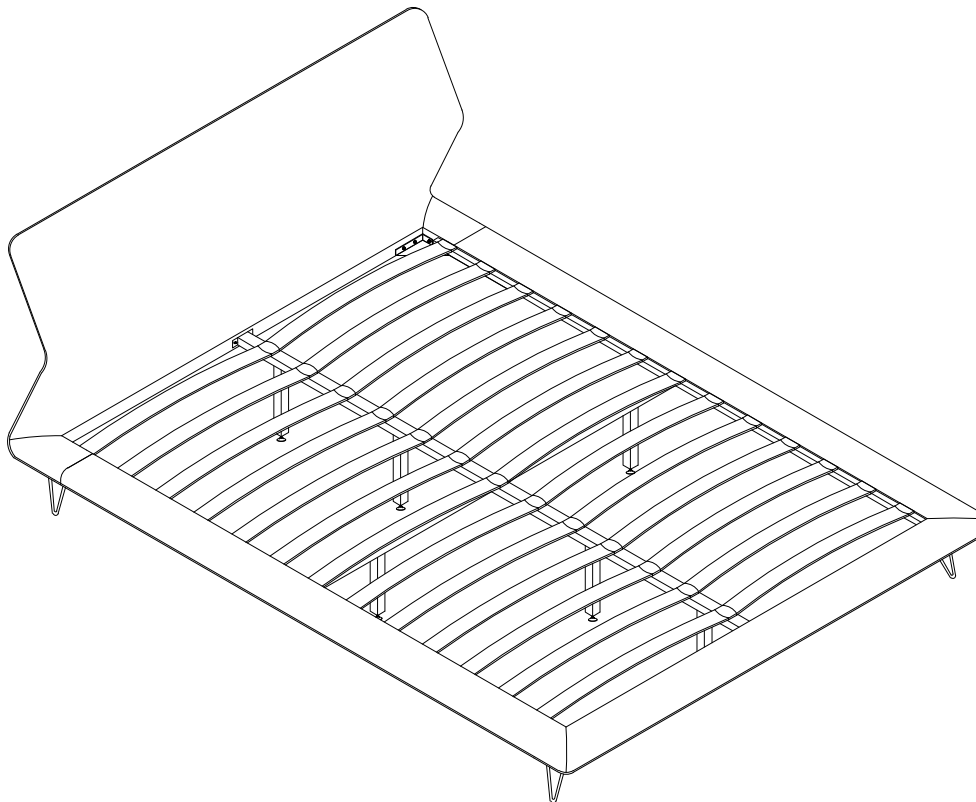


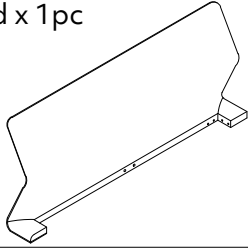
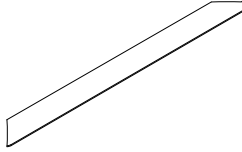
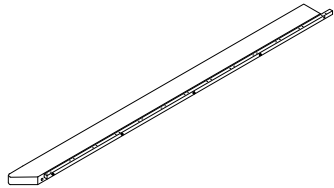
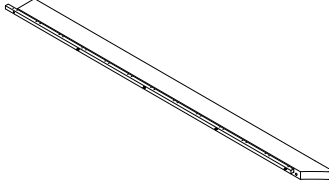
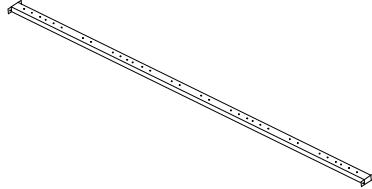
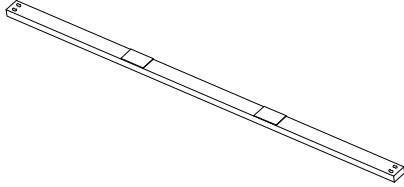
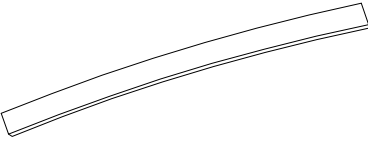


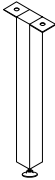

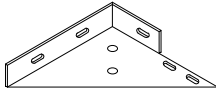
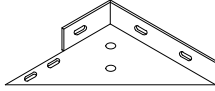
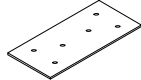
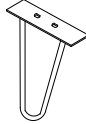
Maria Fabric Bed B1023Q



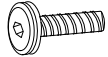
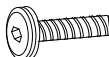





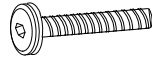
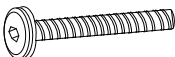
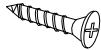
IMPORTANT NOTE

1. PLEASE CHECK THAT ALL PARTS ARE PRESENT BEFORE YOU START THE ASSEMBLY OF YOUR FURNITURE.
2. FOR THE PROTECTION OF YOUR FURNITURE, PLACE ALL PARTS ON A CLEAN AND SMOOTH SURFACE TO PREVENT ANY DAMAGE.
3. DO NOT USE POWER TOOLS TO ASSEMBLE THE BED.
4. PLEASE PERIODICALLY CHECK ALL FITTINGS AND RE-TIGHTEN AS NECESSARY.
5. DO NOT USE THE BED UNLESS ALL BOLTS AND SCREWS ARE FIRMLY SECURED.

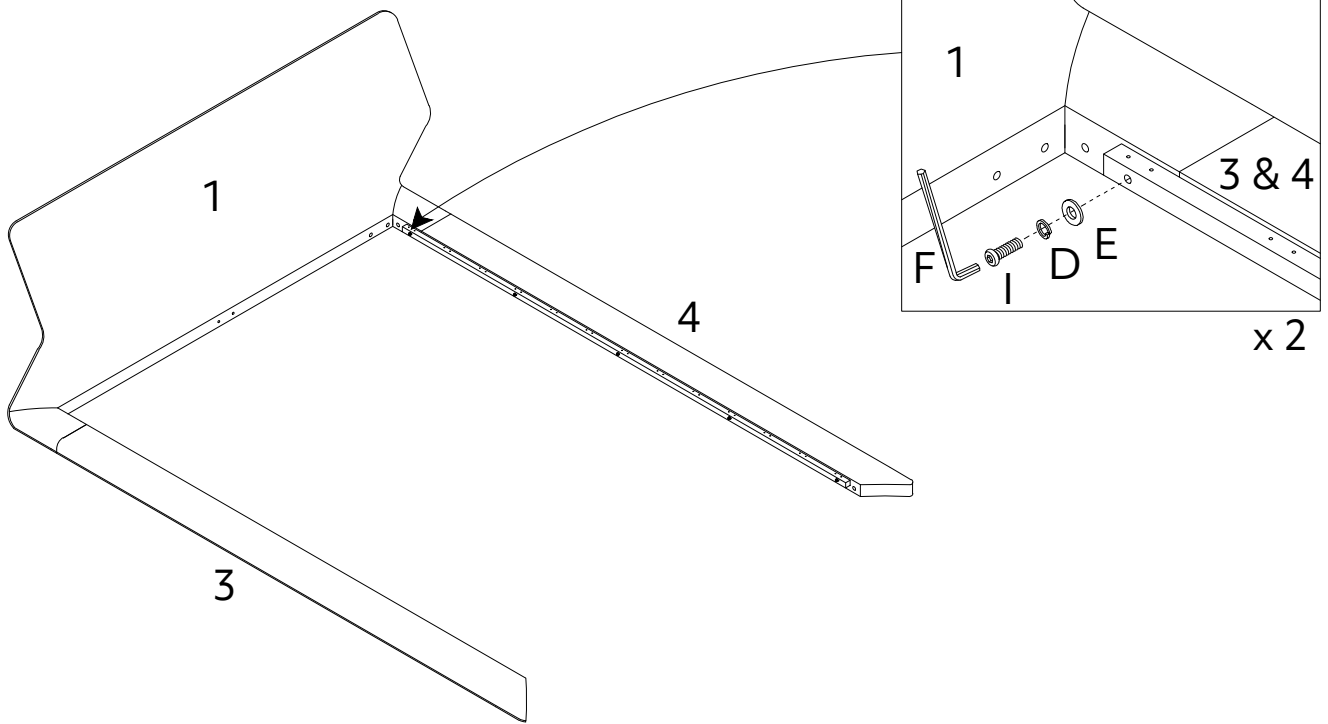
PART LIST

<p>(1)Headboard x 1pc</p> 	<p>(2)Footboard x 1pc</p> 	<p>(3)Side Rail I x 1pc</p> 
<p>(4)Side Rail II x 1pc</p> 	<p>(5)Centre Support Bar I x 1pc</p> 	<p>(6)Centre Support Bar II x 1pc</p> 
<p>(7)Slat x 26pcs</p> 	<p>(8)Double Plastic Cap x 13pcs</p> 	<p>(9)Single Plastic Cap x 26pcs</p> 
<p>(10)Support Leg I x 4pcs</p> 	<p>(11)Support Leg II x 2pcs</p> 	<p>(12)Metal Corner Plate I x 2pcs</p> 
<p>(13)Metal Corner Plate II x 2pcs</p> 	<p>(14)Metal Plate x 2pcs</p> 	<p>(15)Leg x 4pcs</p> 

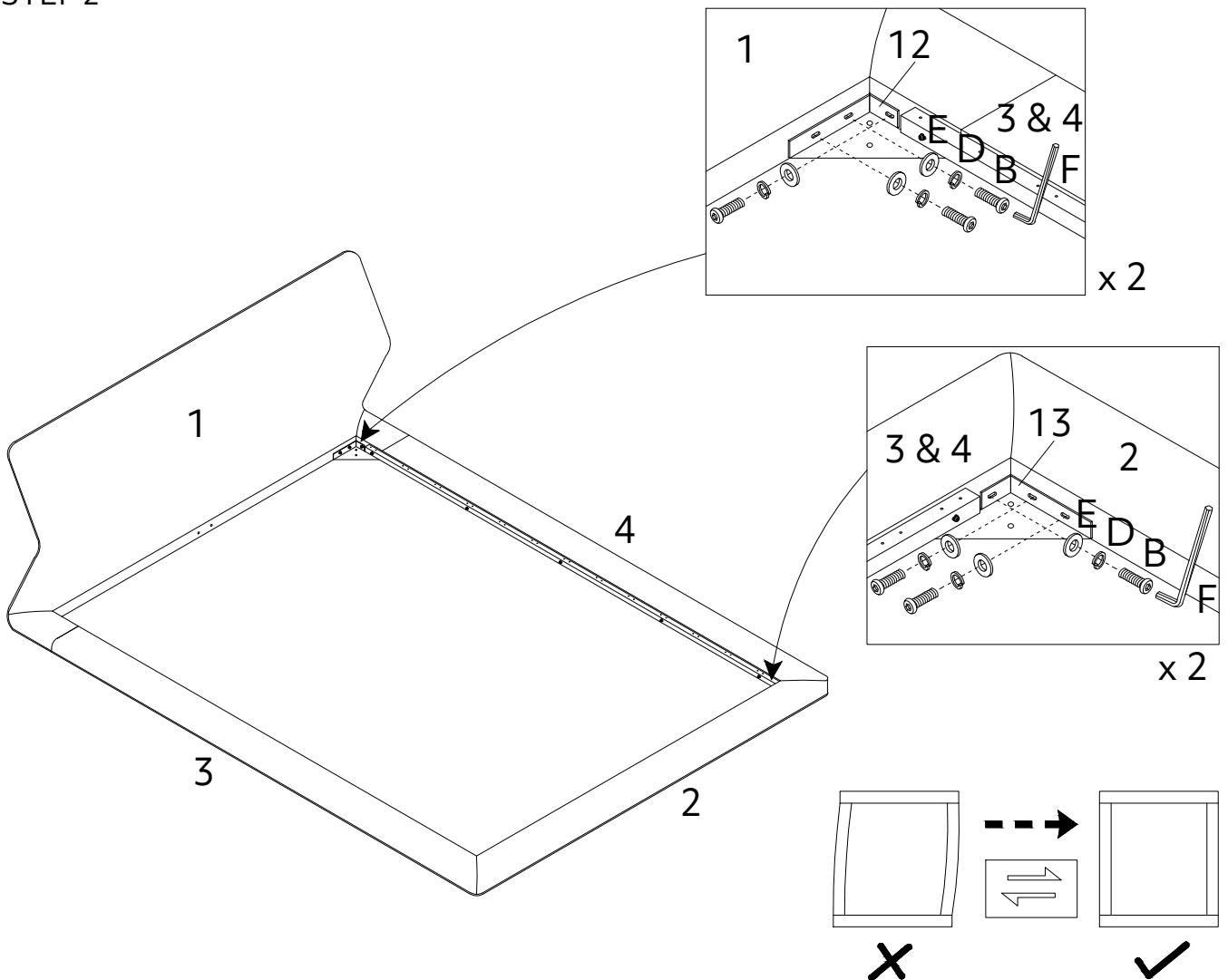
HARDWARE LIST

<p>(A)Bolt M8 x 20mm x 8pcs</p> 	<p>(B)Bolt M8 x 25mm x 24pcs</p> 	<p>(C)Nut M8 x 13mm x 20pcs</p> 	<p>(D)Spring Washer x 34pcs</p> 
<p>(E)Flat Washer x 50pcs</p> 	<p>(F)Allen Key M5 x 1pc</p> 	<p>(G)Spanner x 1pc</p> 	<p>(H)Bolt M8 x40mm x 12pcs</p> 
<p>(I)Bolt M8 x50mm x 6pcs</p> 	<p>(J)Screw M4 x 20mm x 12pcs</p> 		

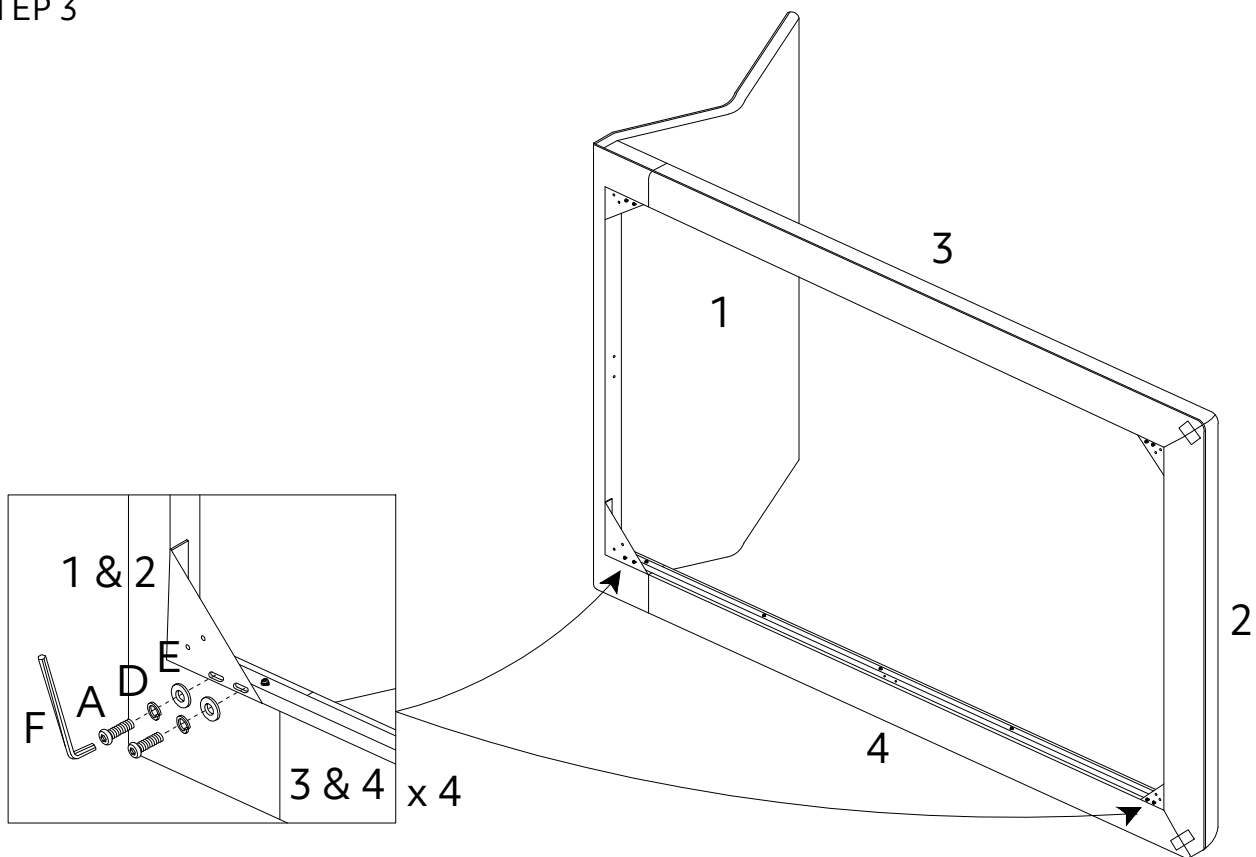
STEP 1



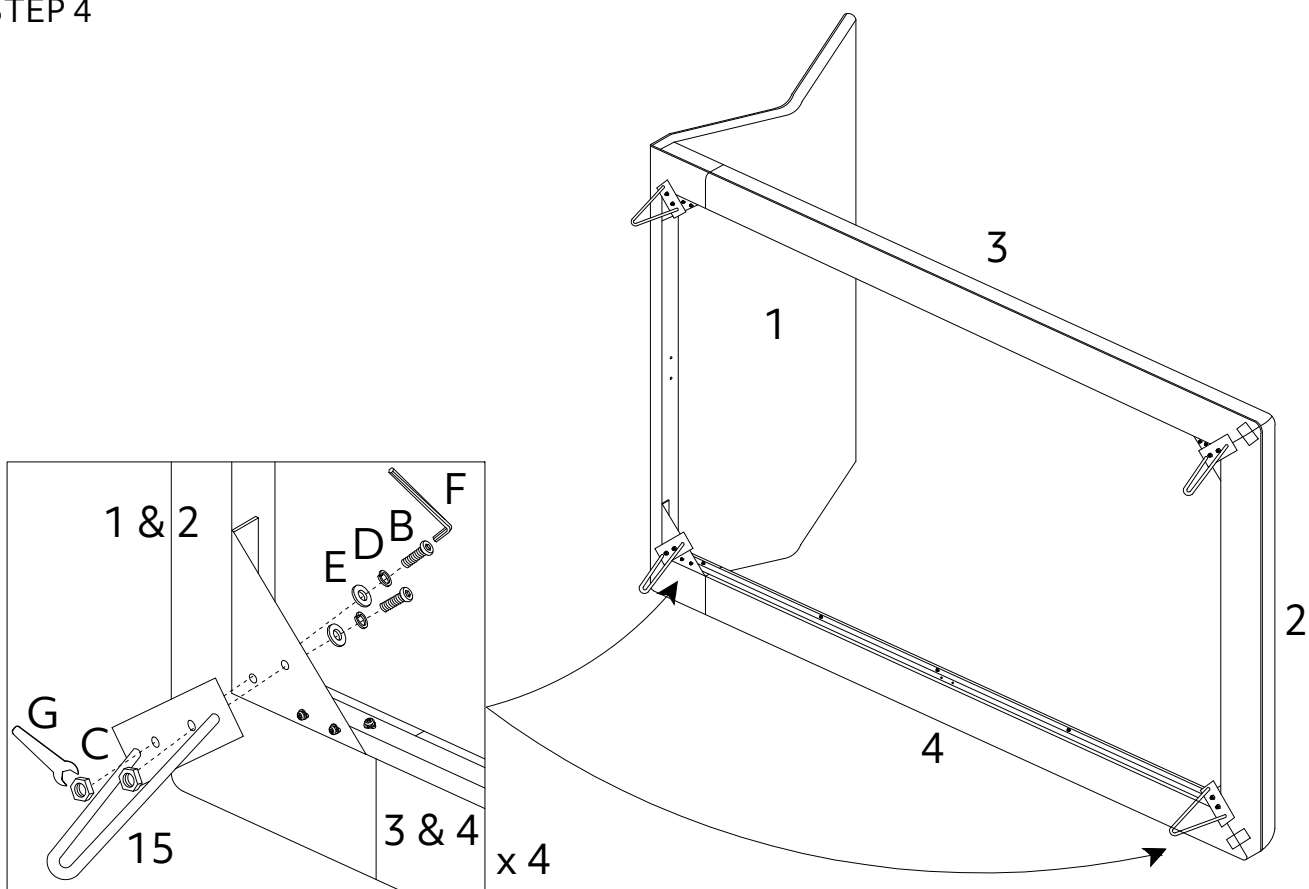
STEP 2



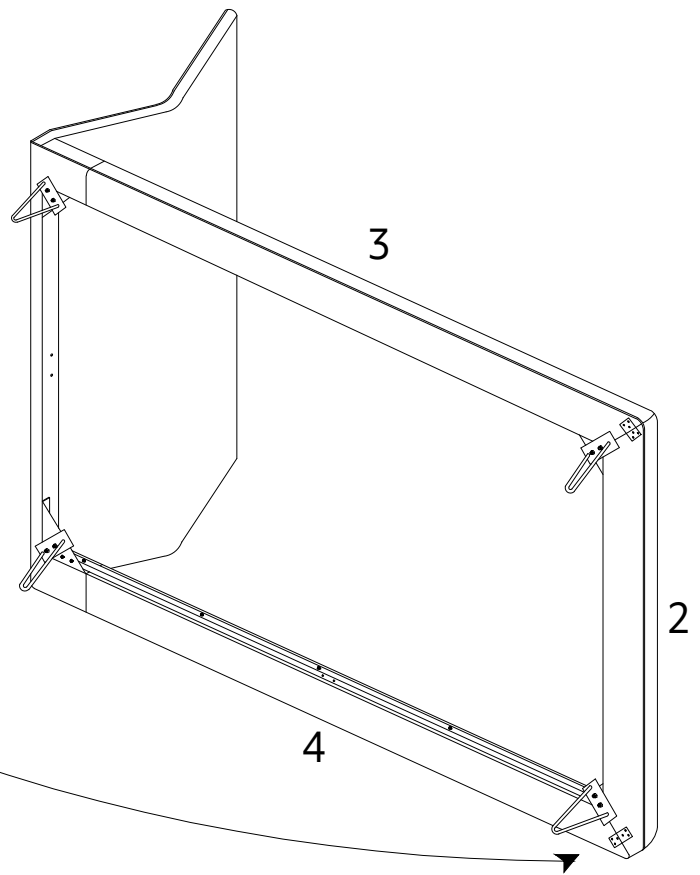
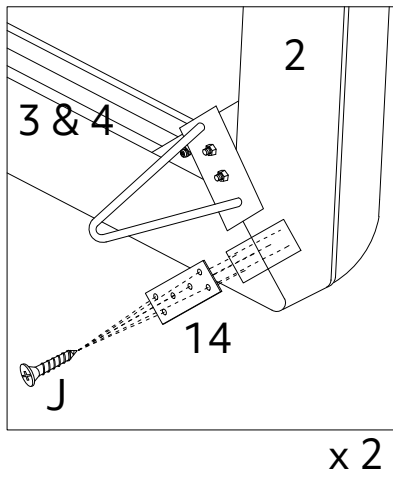
STEP 3



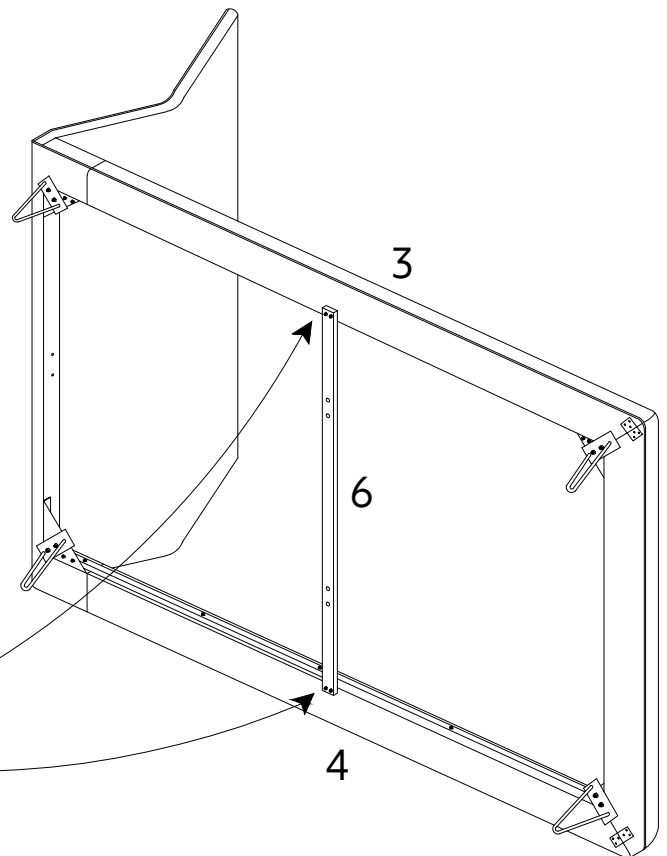
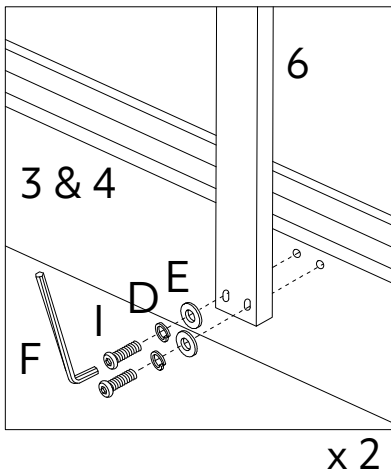
STEP 4



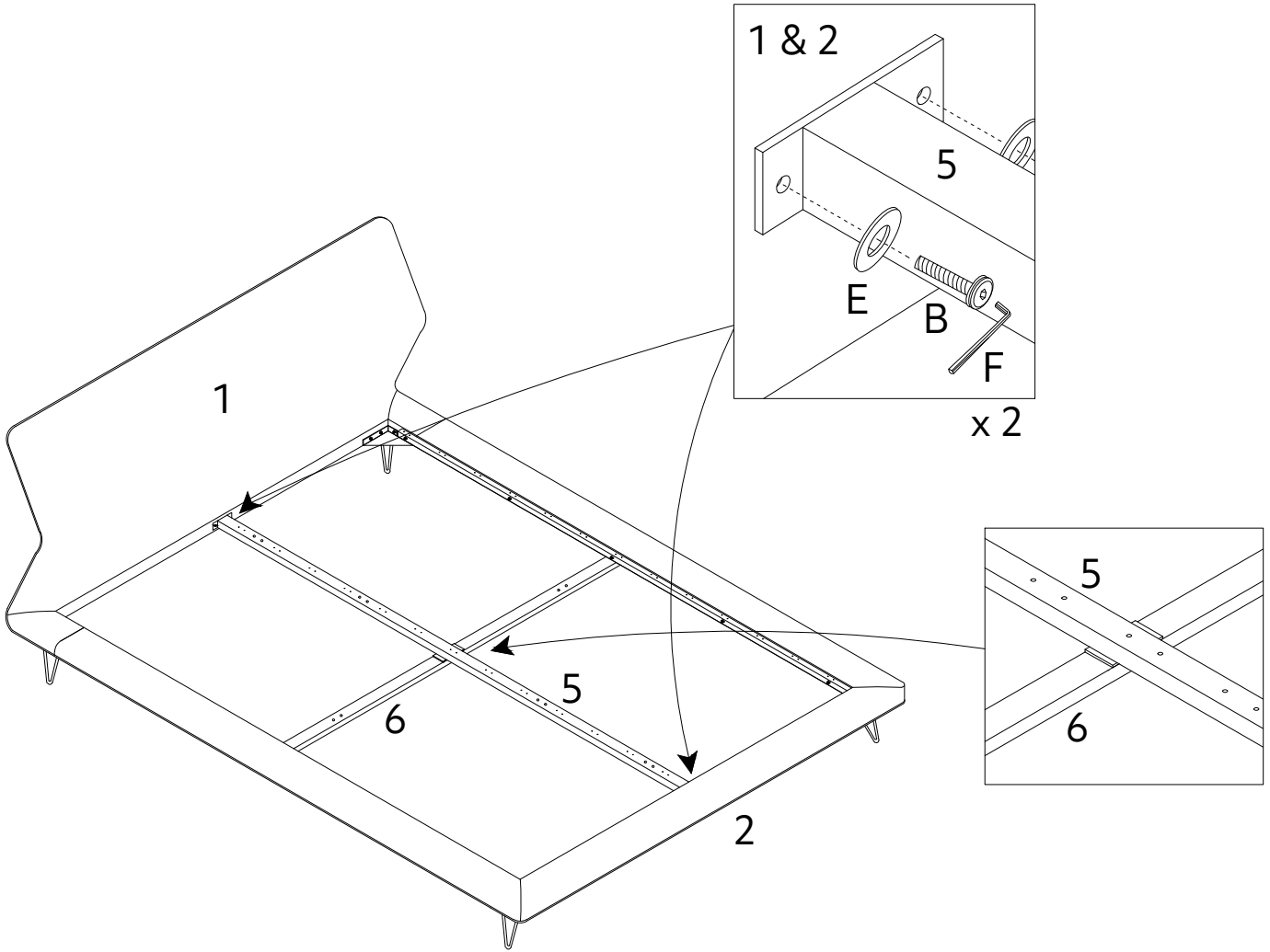
STEP 5



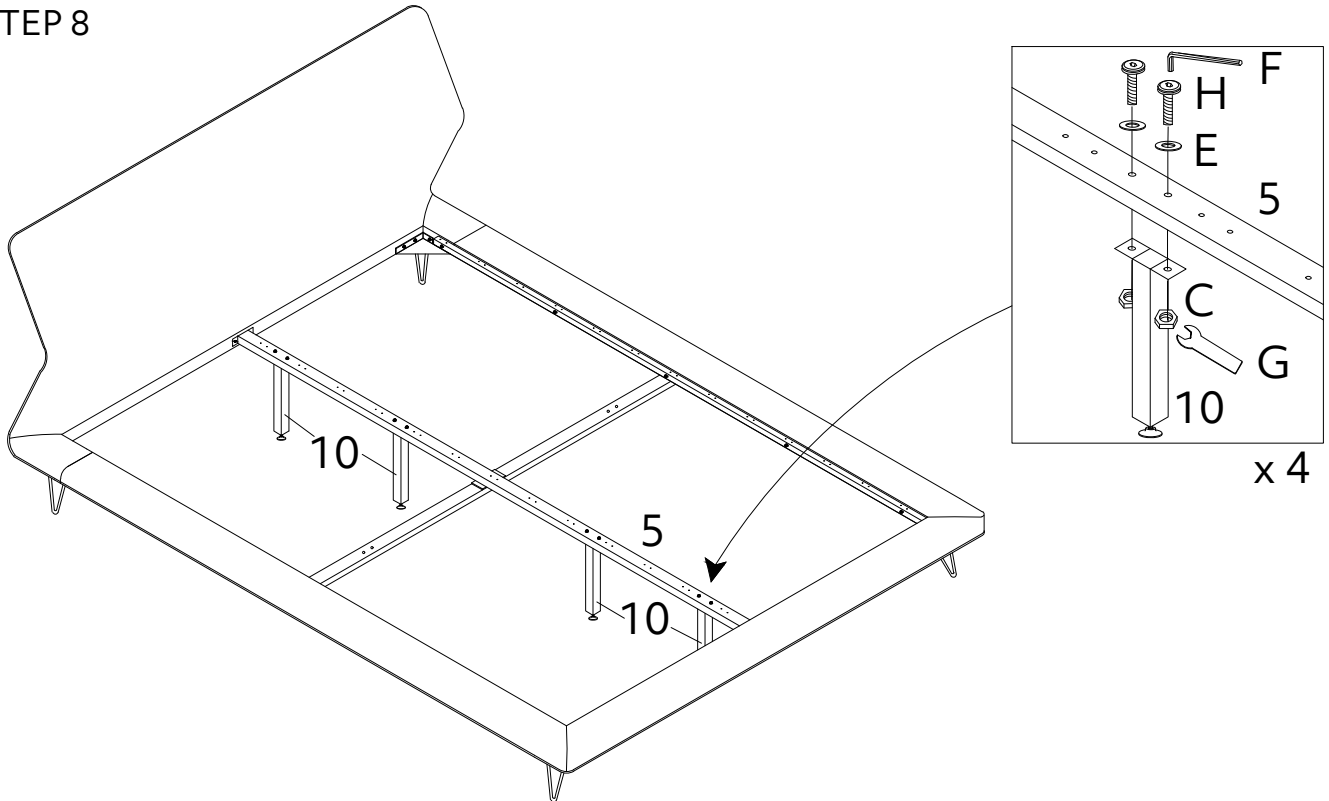
STEP 6



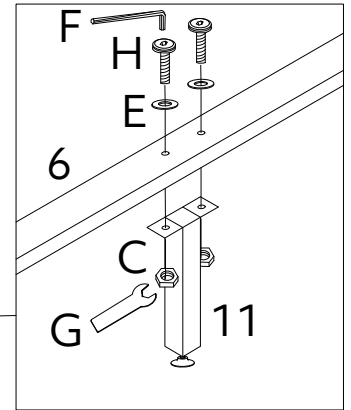
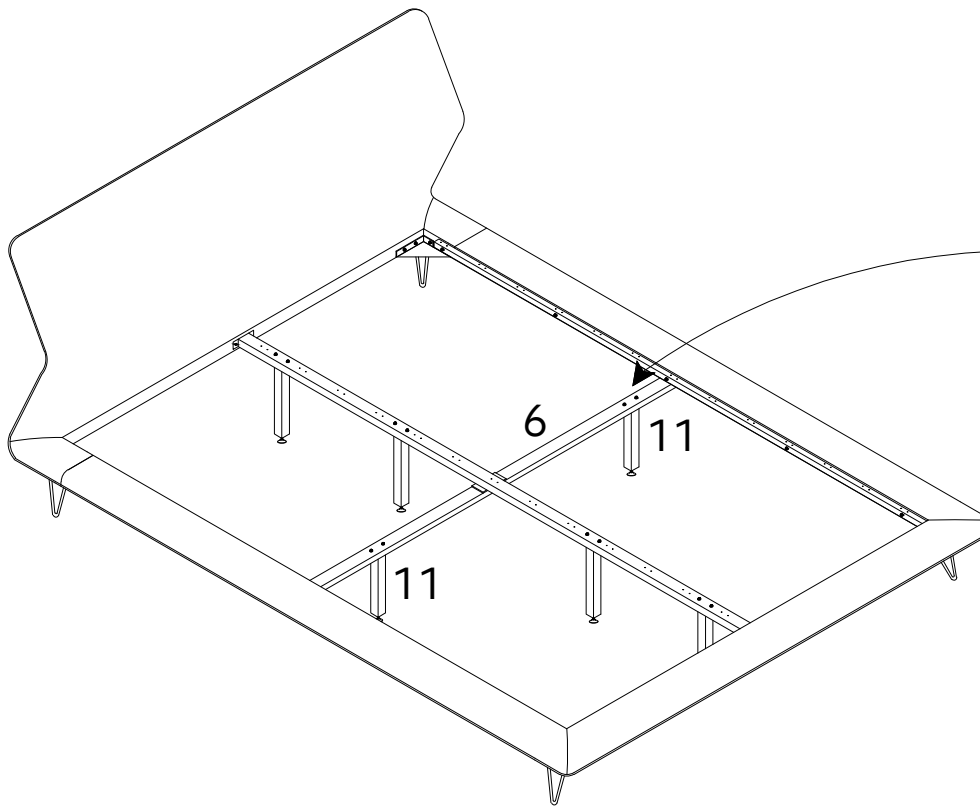
STEP 7



STEP 8



STEP 9



x 2

STEP 10

