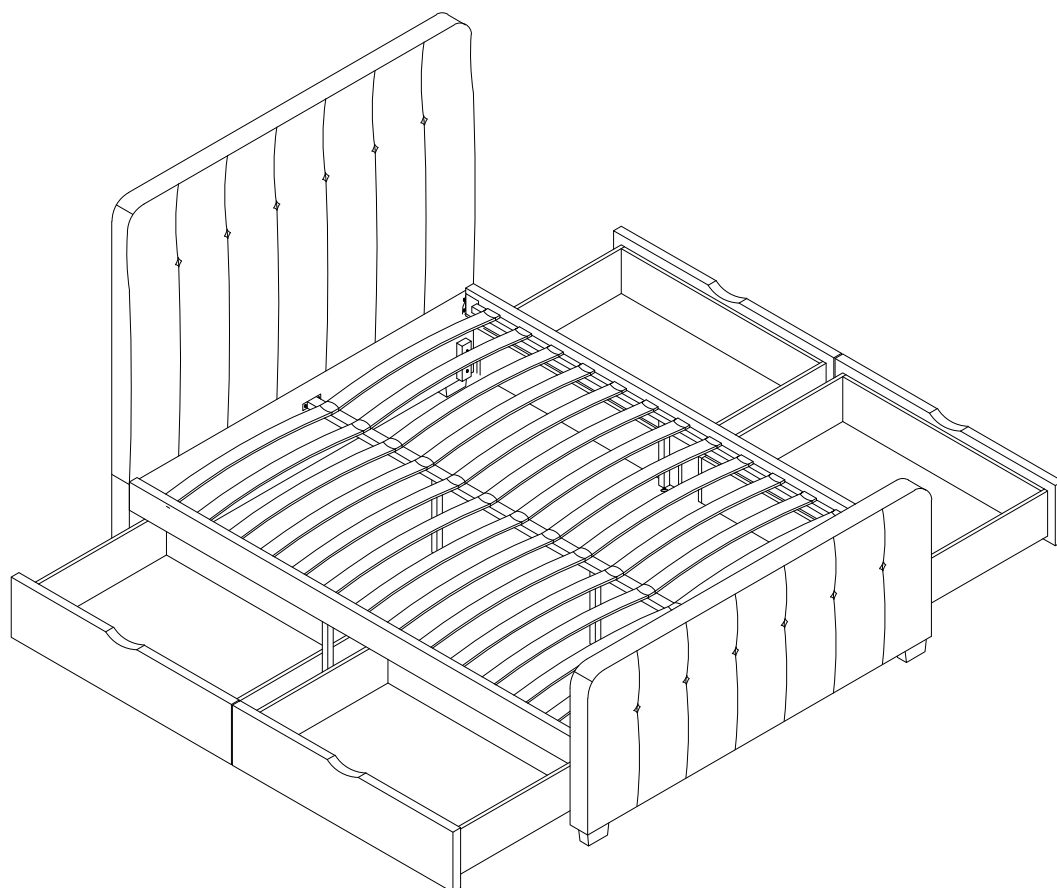


ANNISTON Fabric Bed with Storage B1014Q

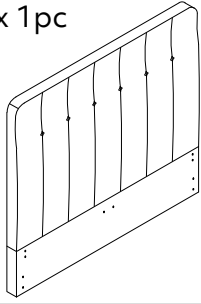


IMPORTANT NOTE

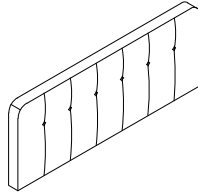
1. PLEASE CHECK THAT ALL PARTS ARE PRESENT BEFORE YOU START THE ASSEMBLY OF YOUR FURNITURE.
2. FOR THE PROTECTION OF YOUR FURNITURE, PLACE ALL PARTS ON A CLEAN AND SMOOTH SURFACE TO PREVENT ANY DAMAGE.
3. DO NOT USE POWER TOOLS TO ASSEMBLE THE BED.
4. PLEASE PERIODICALLY CHECK ALL FITTINGS AND RE-TIGHTEN AS NECESSARY.
5. DO NOT USE THE BED UNLESS ALL BOLTS AND SCREWS ARE FIRMLY SECURED.

PART LIST

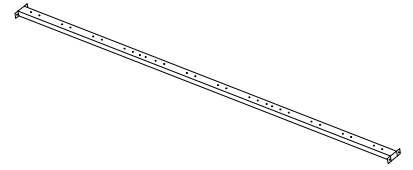
(1) Headboard x 1pc



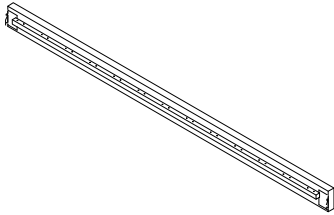
(2) Footboard x 1pc



(3) Centre Support Bar x 1pc



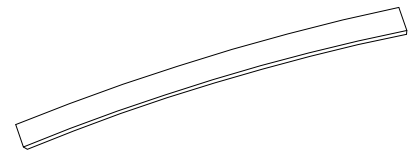
(4) Side Rail x 2pcs



(5) x 4pcs



(6) Slat x 26pcs



(7) Leg x 4pcs



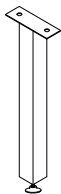
(8) Double Plastic Cap x 13pcs



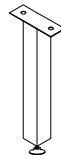
(9) Single Plastic Cap x 26pcs



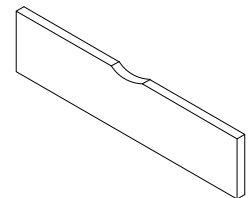
(10) Support Leg I x 2pcs



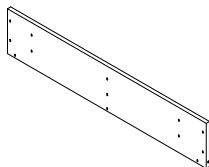
(11) Support Leg II x 2pcs



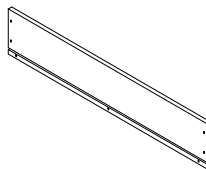
(12) Drawer Front Panel I x 4pcs



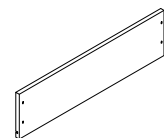
(13) Drawer Front Panel II x 4pcs



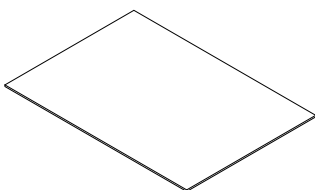
(14) Drawer Back Panel x 4pcs



(15) Drawer Side Panel x 8pcs



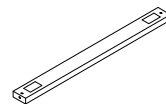
(16) Drawer Bottom Panel x 4pcs



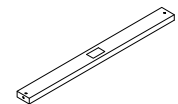
(17) Wheel x 20pcs

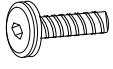
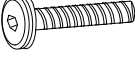
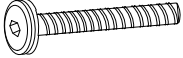
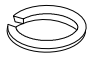







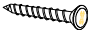
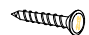


(18) Bottom Support Rail I x 8pcs

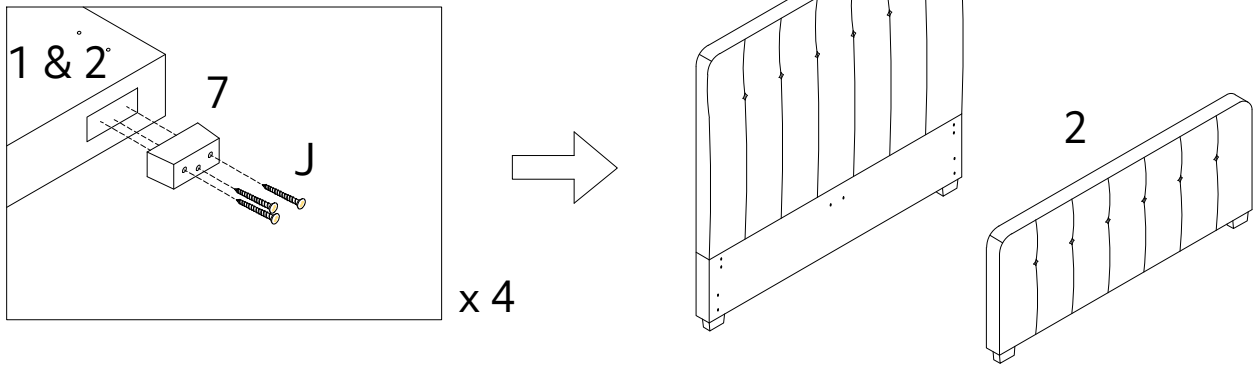


(19) Bottom Support Rail II x 4pcs

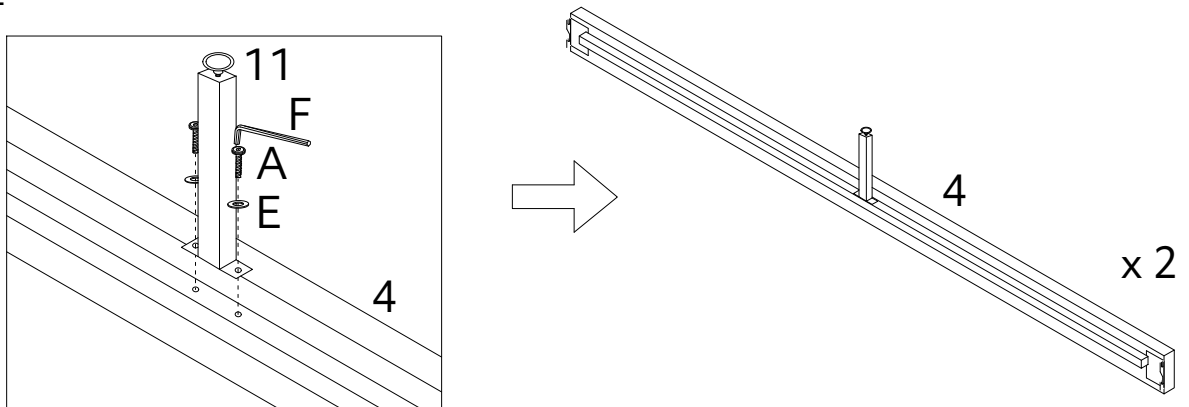


| HARDWARE LIST | | |
|--|--|--|
| (A) Bolt M8 x 20mm x 4pcs  | (B) Bolt M8 x30mm x 12pcs  | (C) Bolt M8 x45mm x 12pcs  |
| (D) Spring Washer x 8pcs  | (E) Flat Washer x 28pcs  | (F) Allen Key M5 x 1pc  |
| (G) Spanner x 1pc  | (H) Nut M8 x 13mm x 4pcs  | (J) Screw M4 x 45mm x 12pcs  |
| (K) Plastic Barrel Nuts x 56pcs  | (L) Screw M5 x 50mm x 56pcs  | (M) Screw M4 x 30mm x 24pcs  |
| (N) Screw M4 x 20mm x 80pcs  | | |
| | | |

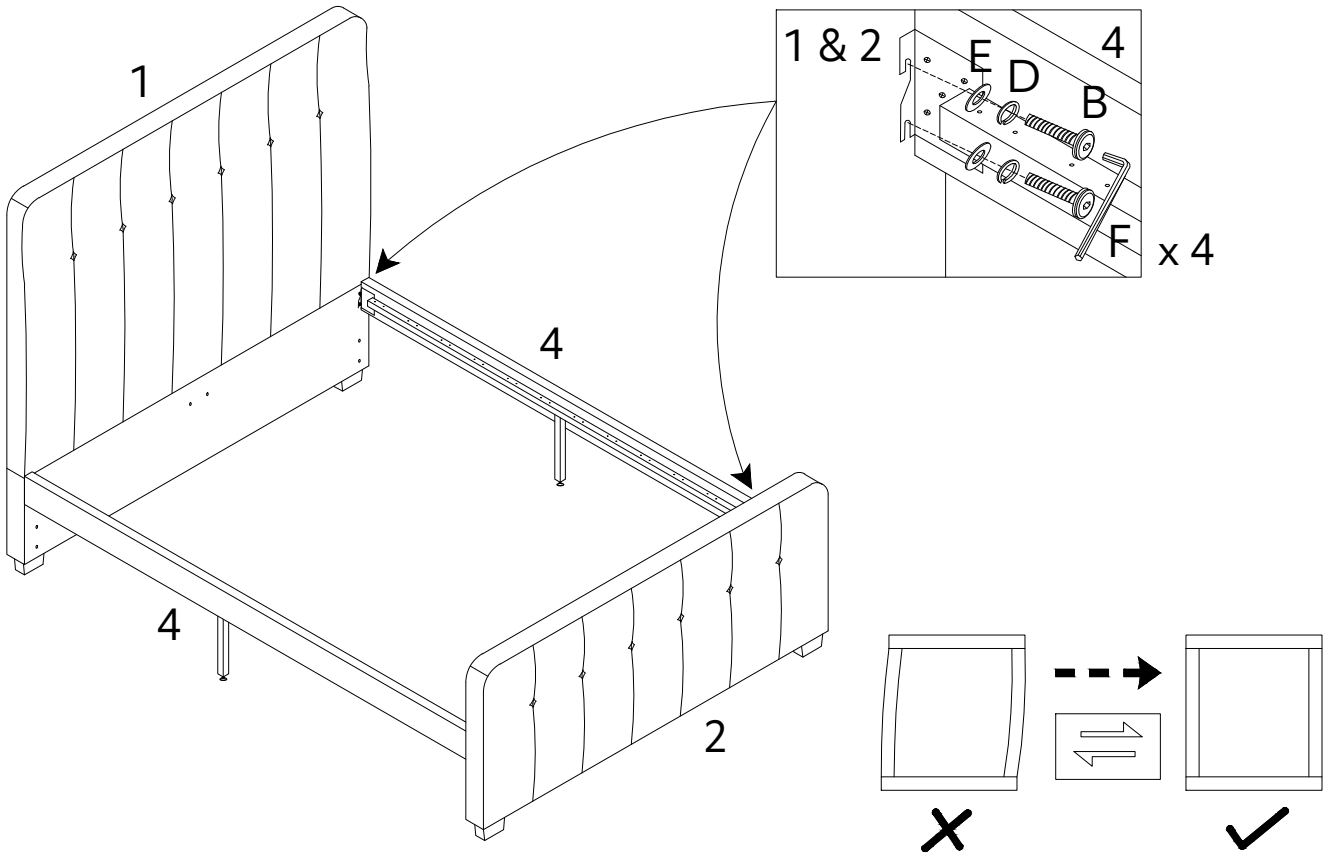
STEP 1



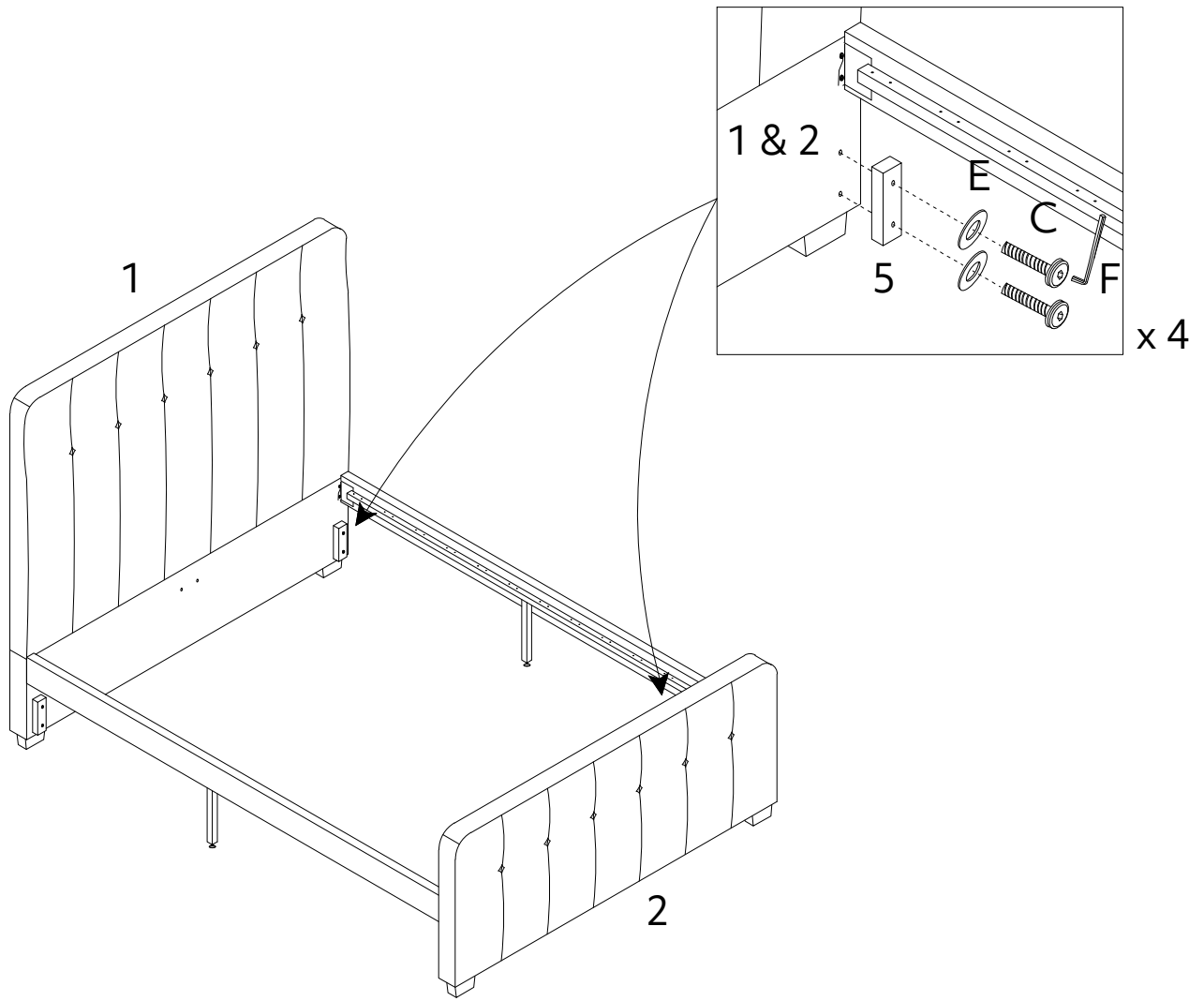
STEP 2



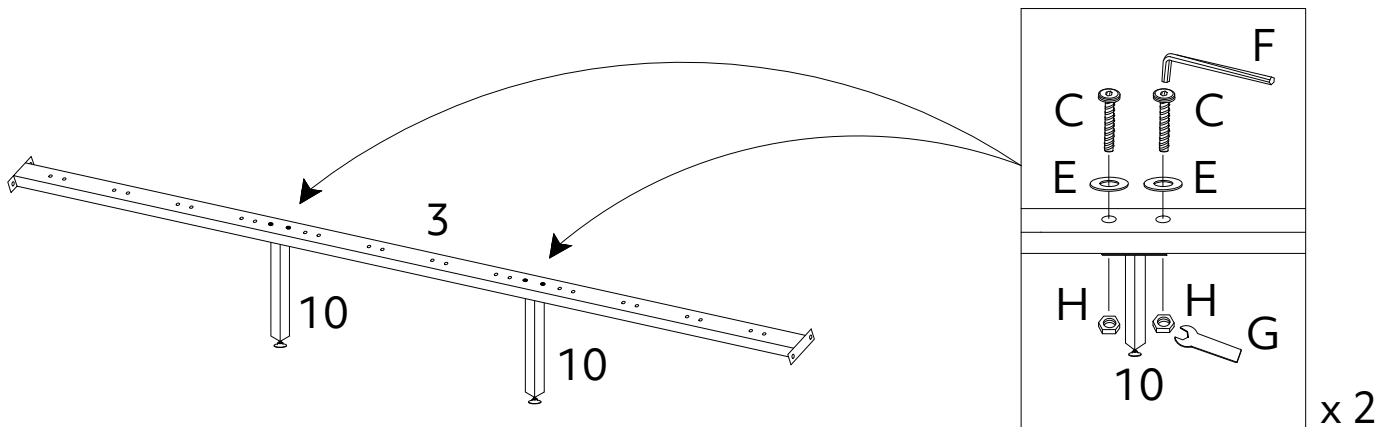
STEP 3



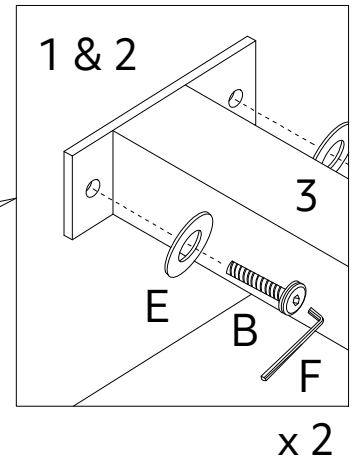
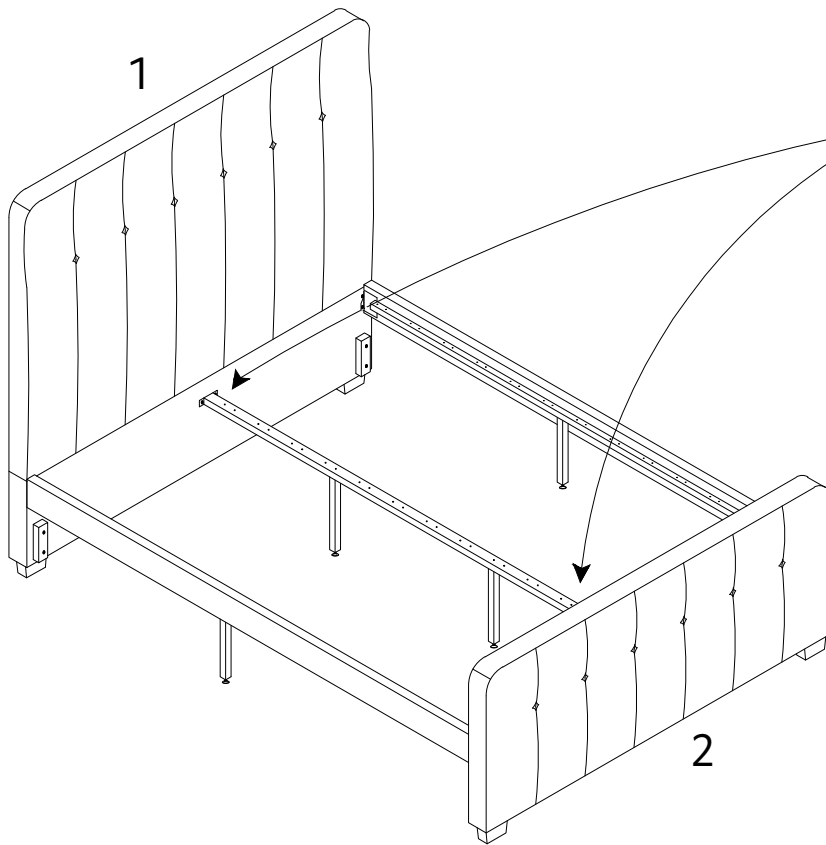
STEP 4



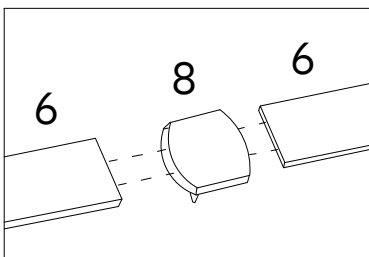
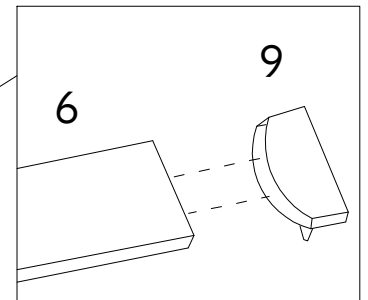
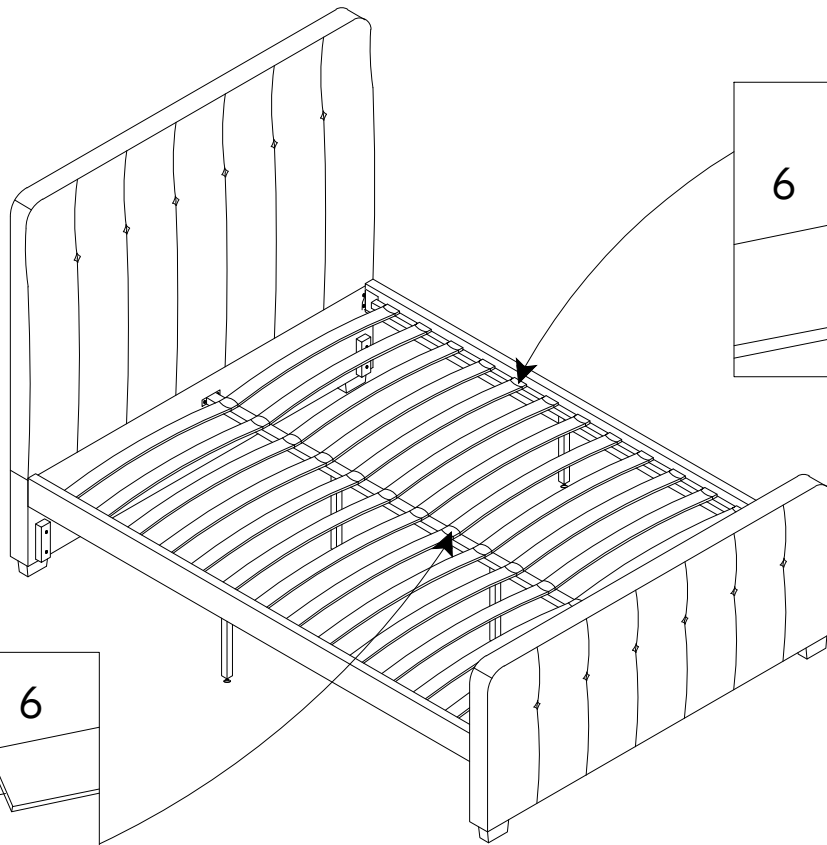
STEP 5



STEP 6

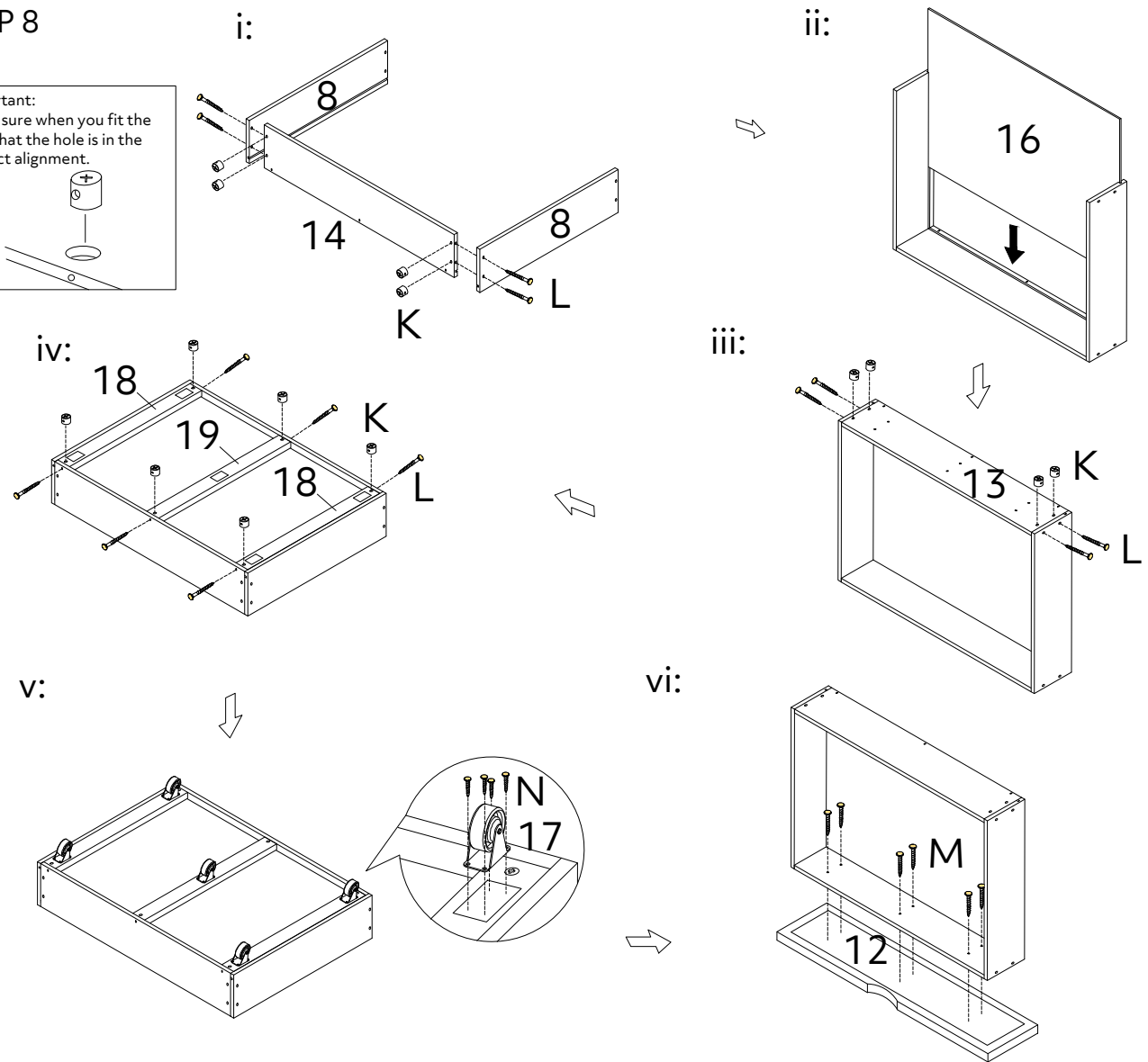


STEP 7



STEP 8

Important:
Make sure when you fit the
nuts that the hole is in the
correct alignment.



STEP 9

