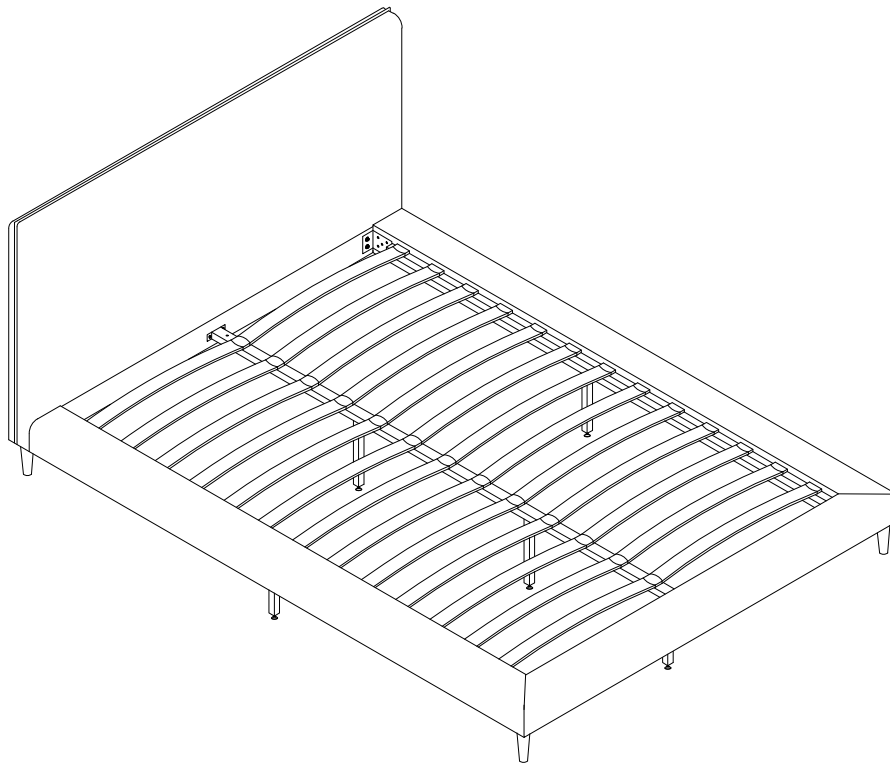


Molly Fabric Bed B1017Q

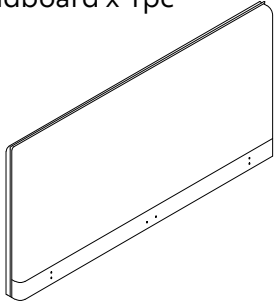


IMPORTANT NOTE

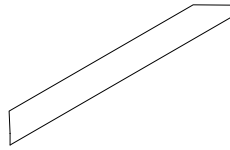
1. PLEASE CHECK THAT ALL PARTS ARE PRESENT BEFORE YOU START THE ASSEMBLY OF YOUR FURNITURE.
2. FOR THE PROTECTION OF YOUR FURNITURE, PLACE ALL PARTS ON A CLEAN AND SMOOTH SURFACE TO PREVENT ANY DAMAGE.
3. DO NOT USE POWER TOOLS TO ASSEMBLE THE BED.
4. PLEASE PERIODICALLY CHECK ALL FITTINGS AND RE-TIGHTEN AS NECESSARY.
5. DO NOT USE THE BED UNLESS ALL BOLTS AND SCREWS ARE FIRMLY SECURED.

PART LIST

(1) Headboard x 1pc



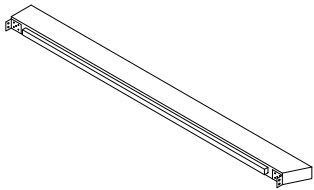
(2) Footboard x 1pc



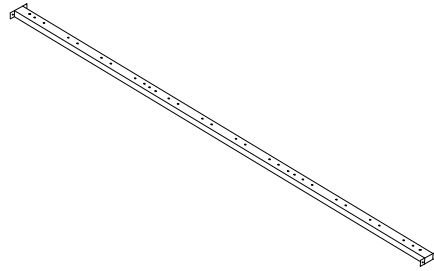
(3) Support Leg I x 2pcs



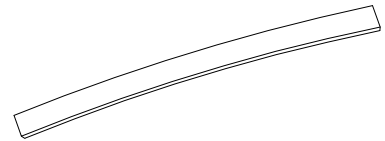
(4) Side Rail x 2pcs



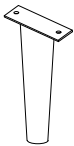
(5) Centre Support Bar x 1pc



(6) Slat x 26pcs



(7) Leg x 4pcs



(8) Double Plastic Cap x 13pcs



(9) Single Plastic Cap x 26pcs

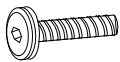


(10) Support Leg II x 3pcs

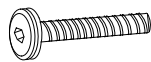


HARDWARE LIST

(A) Bolt M8 x 25mm x 20pcs



(B) Bolt M8 x 40mm x 7pcs



(C) Nut M8 x 13mm x 4pcs



(D) Spring Washer x 18pcs



(E) Flat Washer Ø17 x 8mm x 27pcs



(F) Allen Key M5 x 1pc



(G) Spanner x 1pc



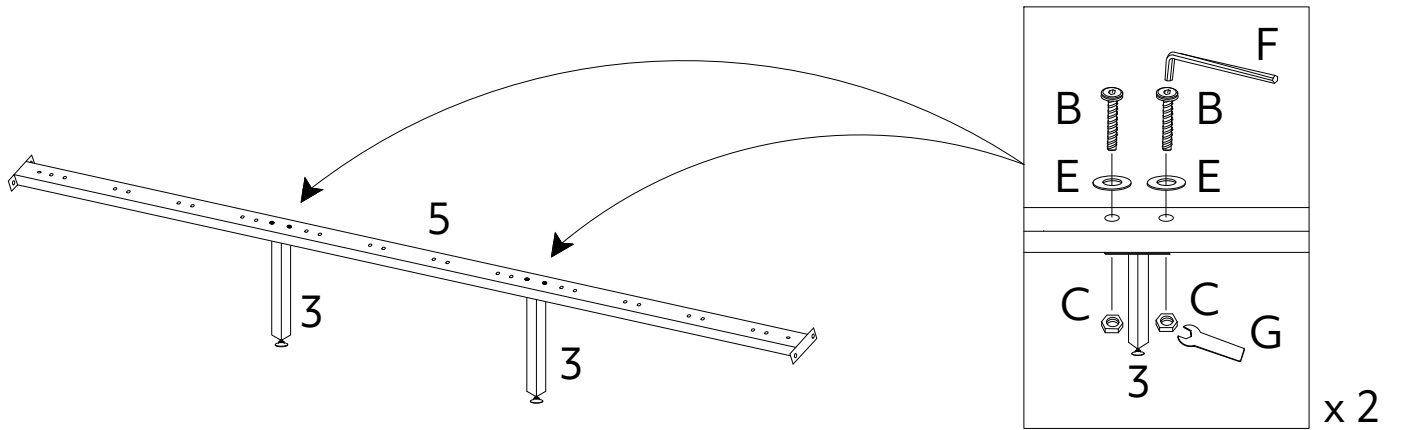
(H) Flat Washer Ø22 x 8mm x 2pcs



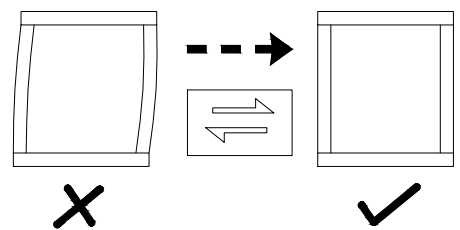
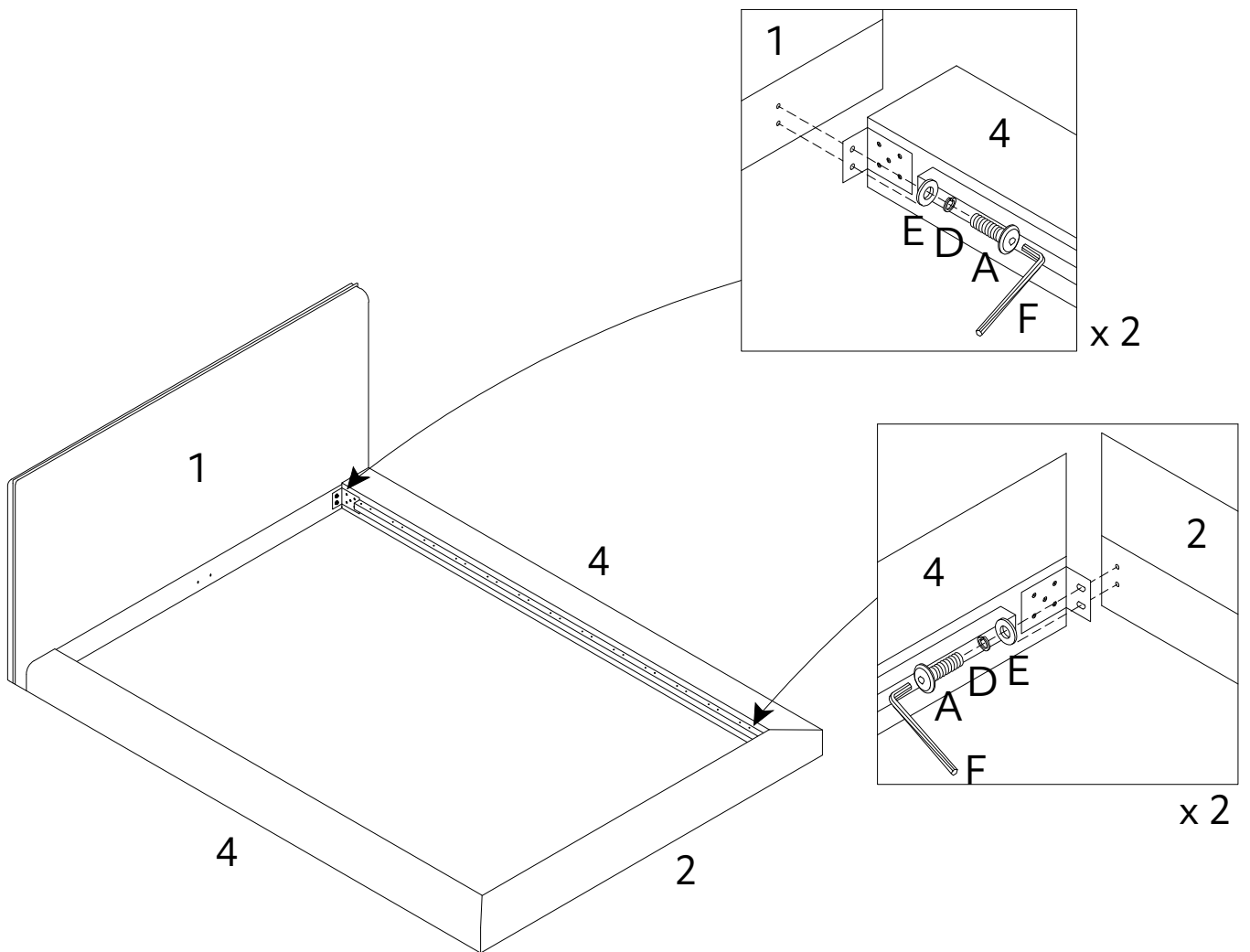
(I) Bolt M8 x 70mm x 2pcs



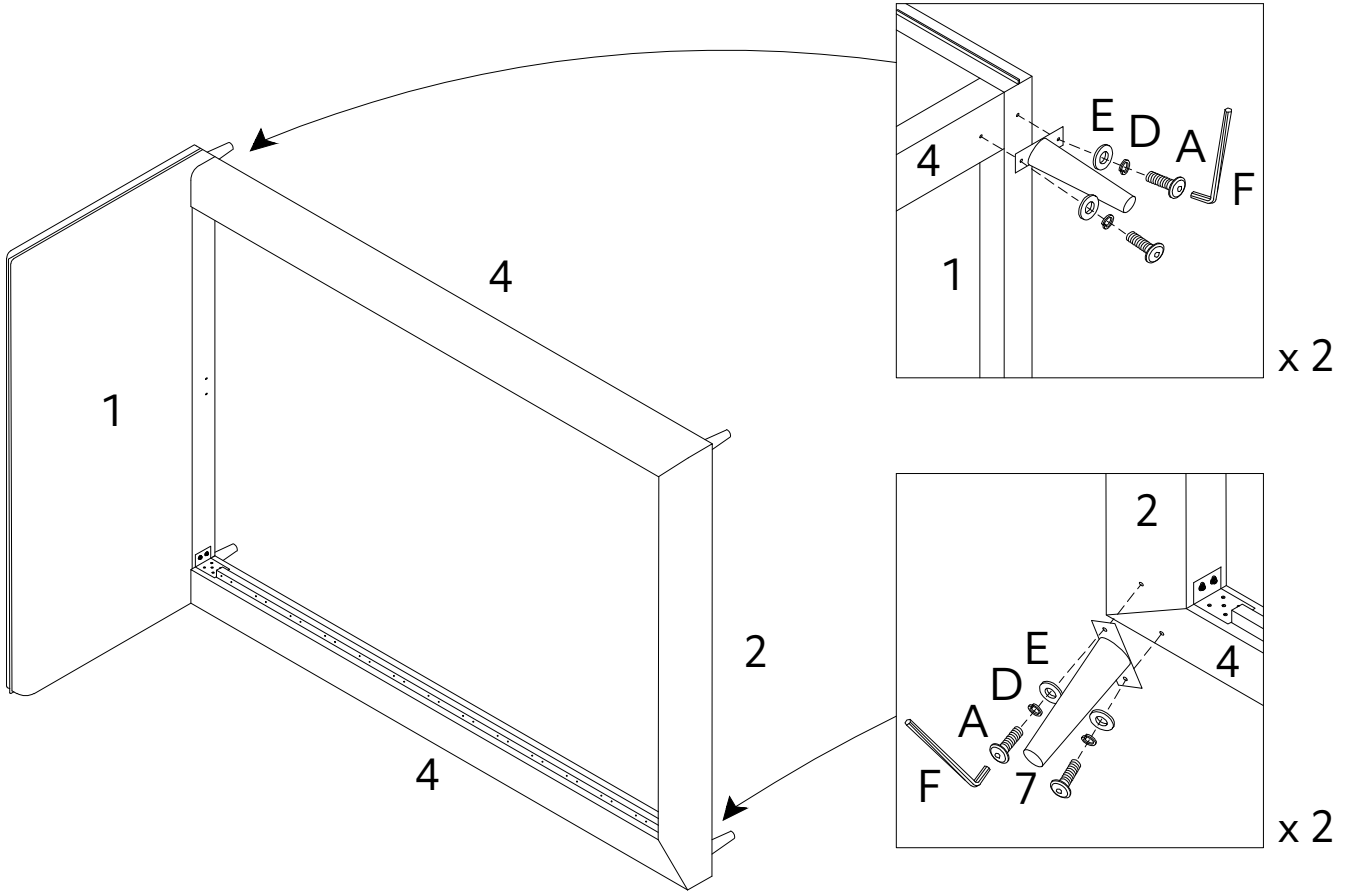
STEP 1



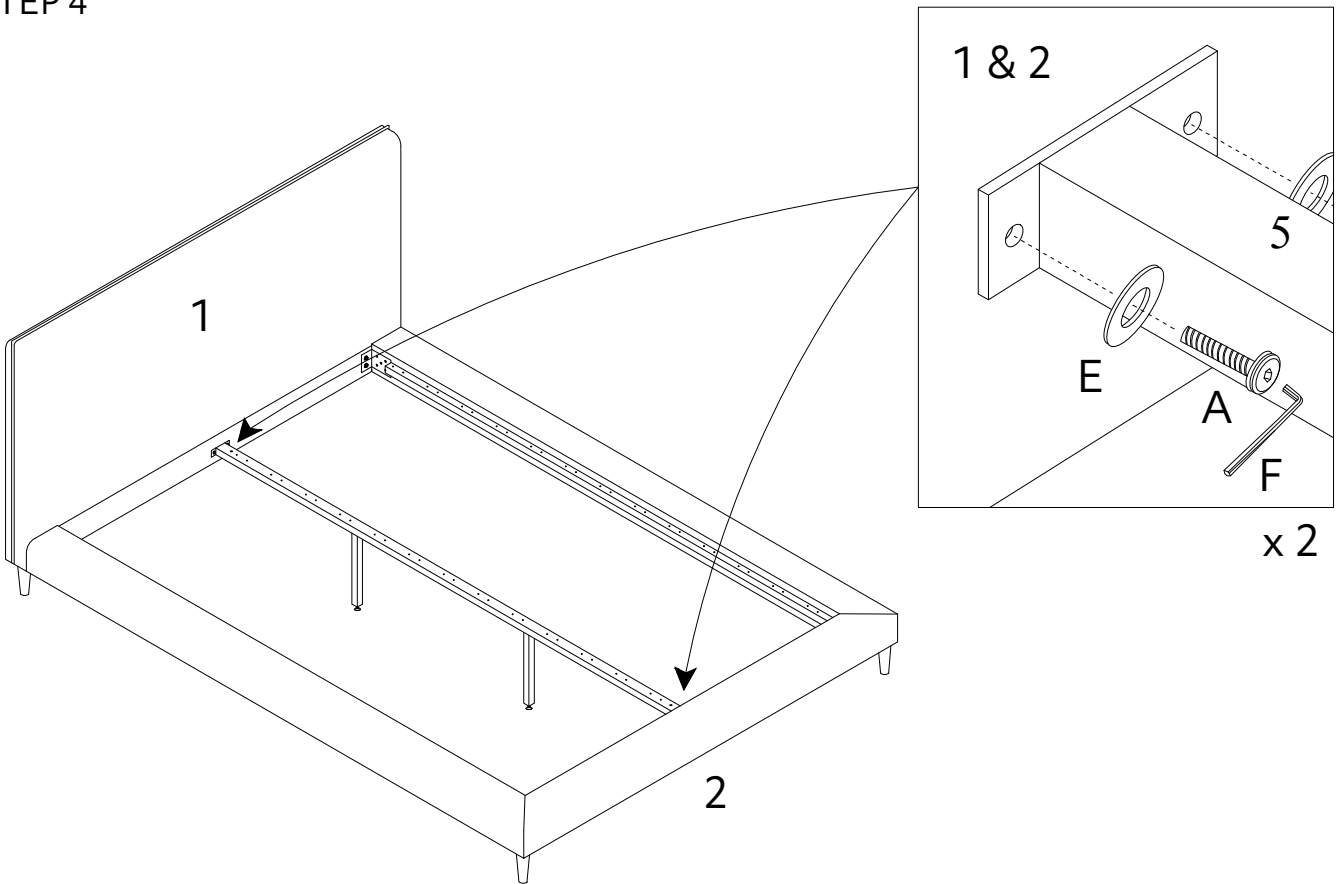
STEP 2



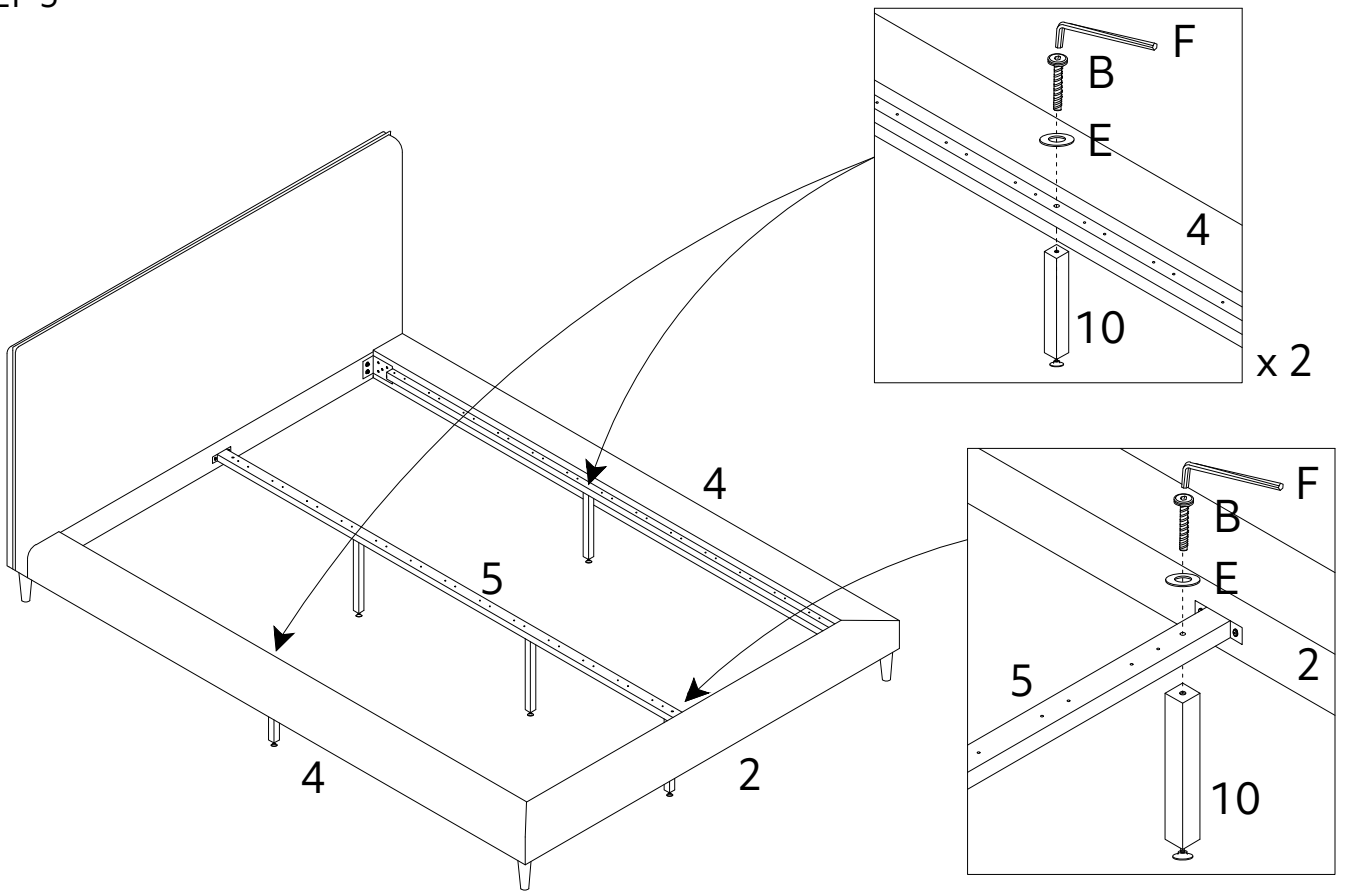
STEP 3



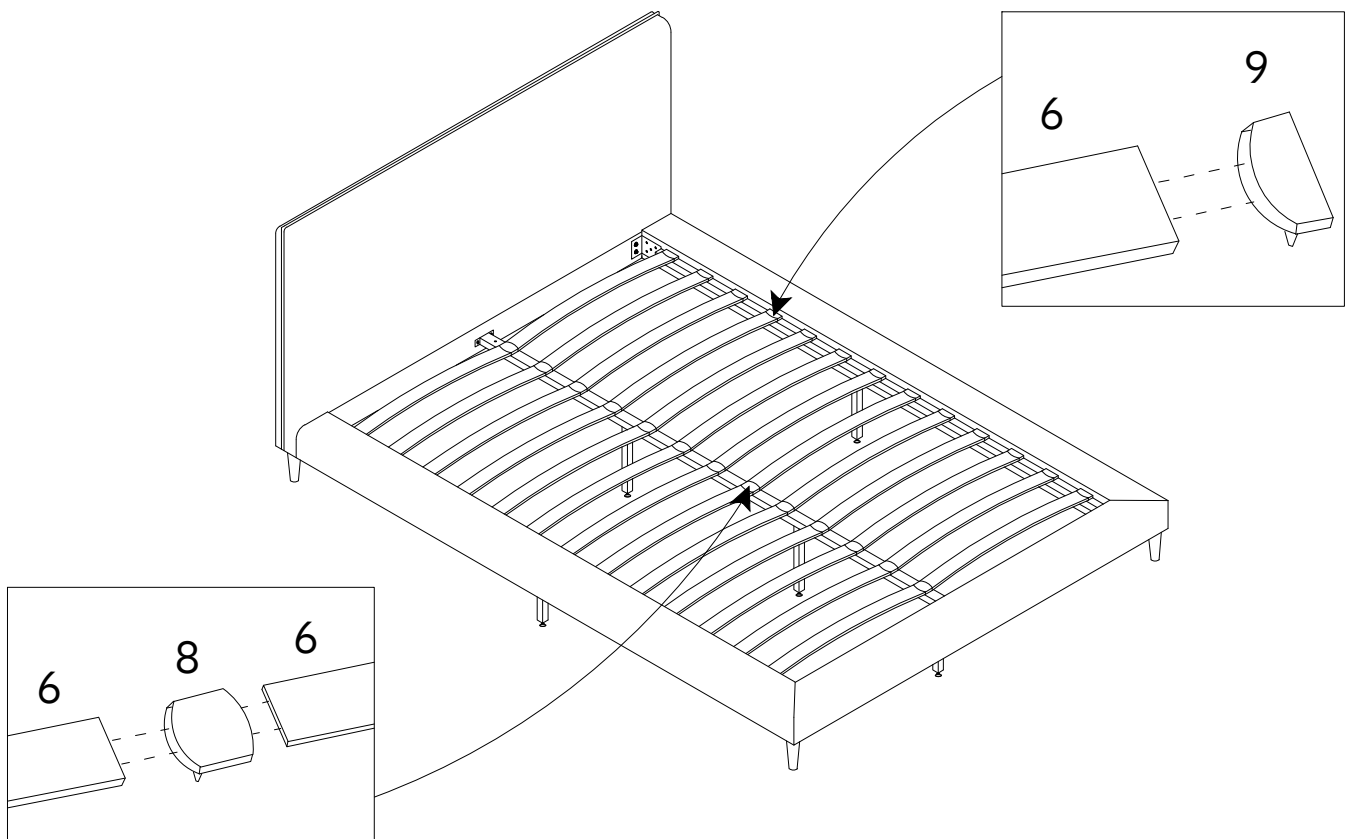
STEP 4



STEP 5



STEP 6



STEP 7

