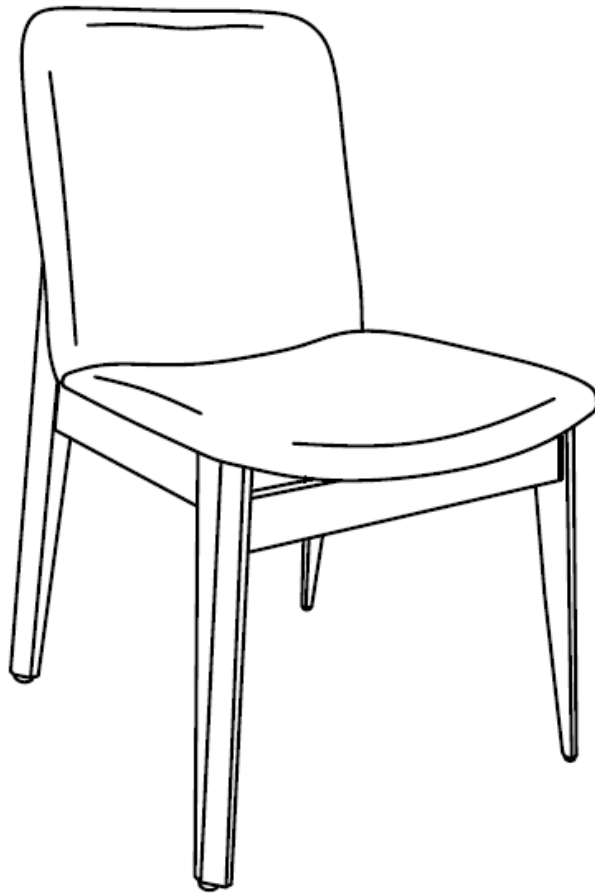




W A Z O

ASSEMBLY INSTRUCTIONS

VERSION1.0



T6359, T6360, T6361
HARRIS DINING CHAIR



ASSEMBLY INSTRUCTIONS

Read these instructions carefully and keep for future reference. Ensure that you have all the pieces before starting assembly by referring to the parts inventory. When starting assembly, ace all pieces on a soft, clean, and flat surface like a carpet to prevent scratches or damage.

If you are having difficulty, our VIP Team is always here for you. Call us at **1-800-684-6014** during business hours or email us at **service@wazofurniture.com**.



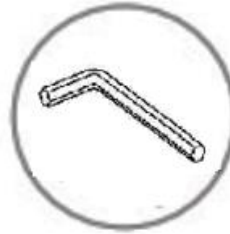
TIME







2 OF PEOPLE



DIFFICULTY



REQUIRED TOOL

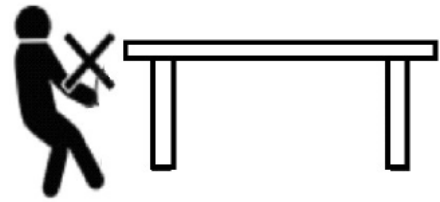
PARTS INVENTORY		
ID	DESCRIPTION	QTY
A	CHAIR BACK 	1
B	FRONT LEG 	1
C	SIDE RAIL (L&R) 	2
D	CUSHION 	1

IMPORTANT NOTES






1. Please check that all parts are present before starting assembly.
2. For the protection of your furniture and to ensure it is not damaged in the assembly process, place all parts on a clean, smooth surface.
3. In order to align all screws properly, tighten all screws halfway first until product frame is assembled and then tighten fully when all screws are aligned.
4. Do not use power tools for assembly.
5. Please periodically check all fittings and re-tighten as necessary.
6. Do not use furniture unless all bolts and screws are firmly secured.



Structural Integrity is warranted only if all fasteners are properly installed & tightened, and the sideboard is moved only per instruction.

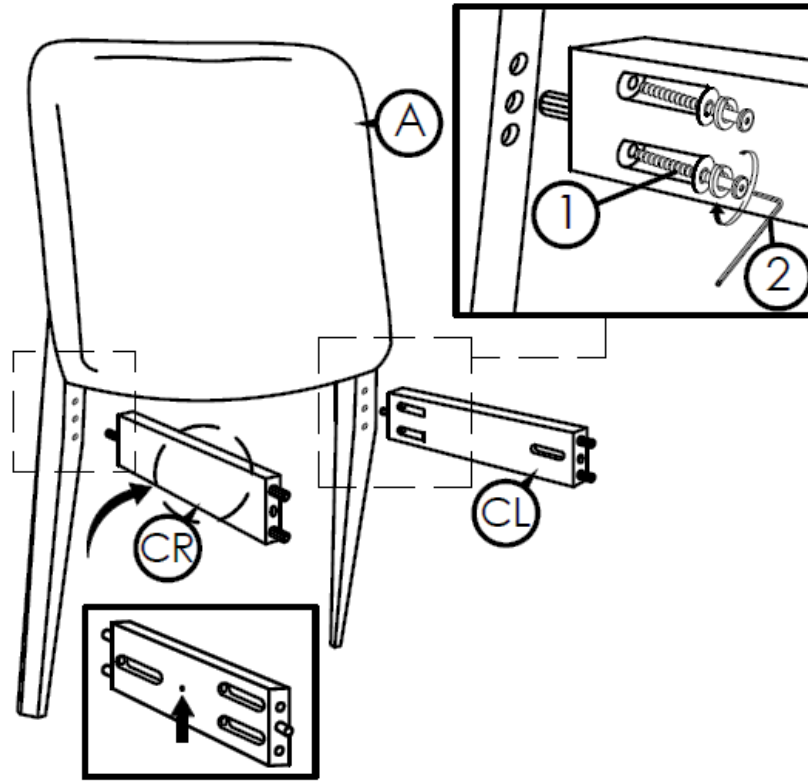


DO NOT DRAG TABLE, ALWAYS LIFT WITH AT LEAST TWO PEOPLE BEFORE MOVING

HARDWARE / TOOLS INVENTORY		
ID	DESCRIPTION	QTY
1	JCBC M6 x 50mm + S/W M6 + F/W M6 x 13mm 	6PCS
2	ALLEN KEY M4 (BALL SHAPE) 	1PC
3	PH SCREW M4 x 12mm 	8PCS
4	L BRACKET 	4PCS
5	PVC NAIL 5/8" (WITH PIN) 	4PCS

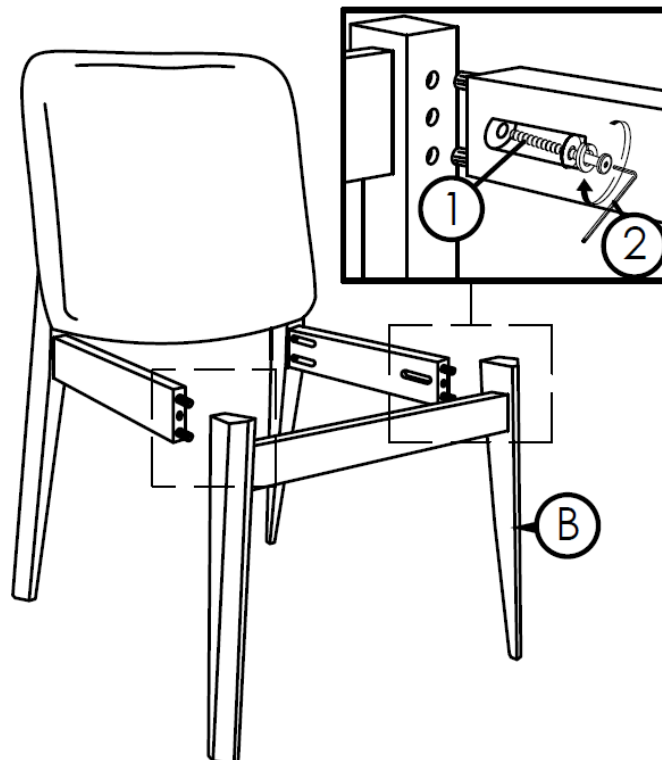


1



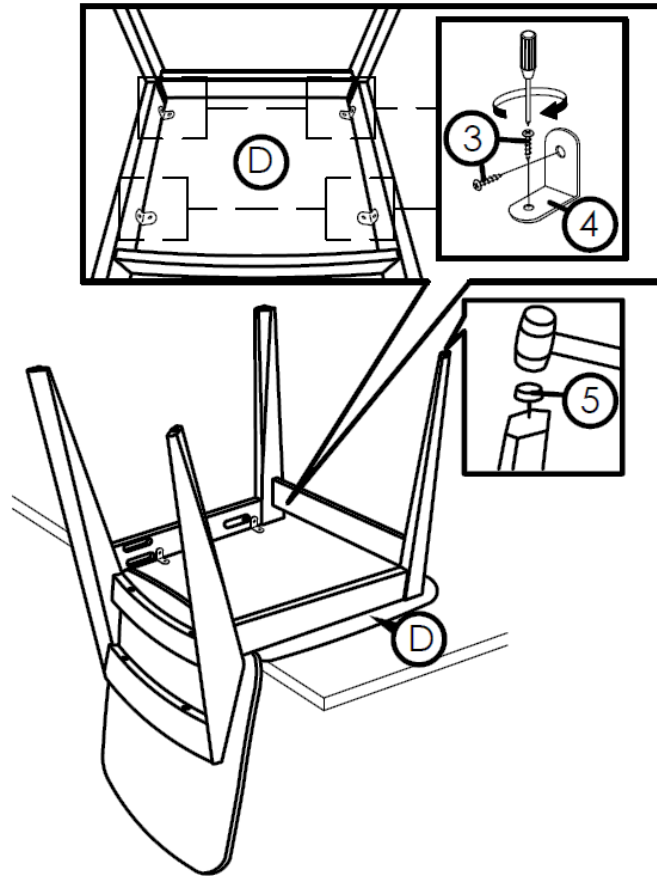
CR has a small hole for identification.

2





3



4

