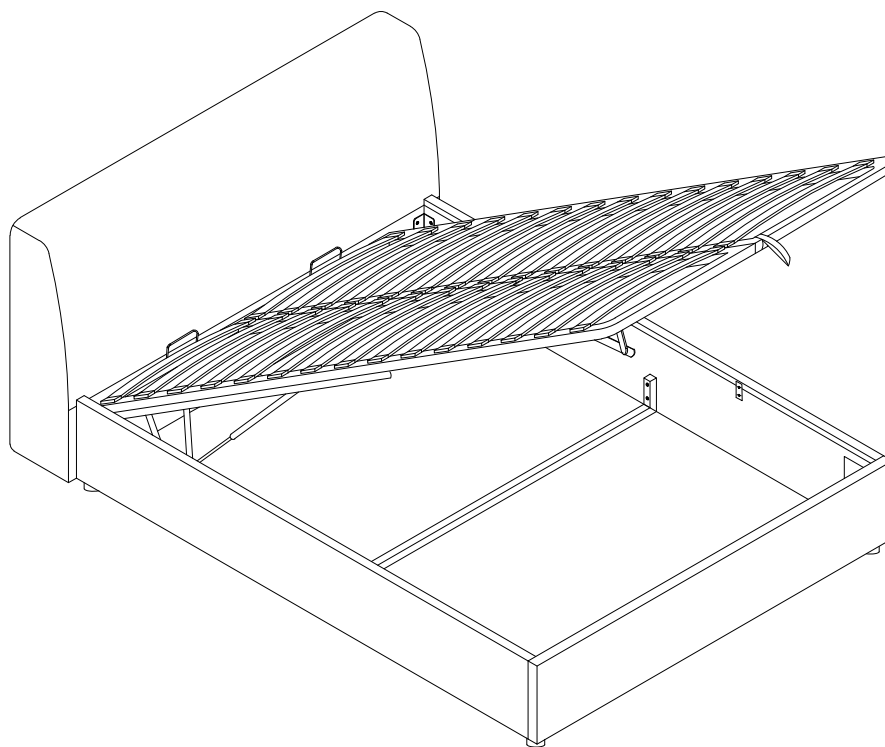


# Harper Fabric Bed with Storage



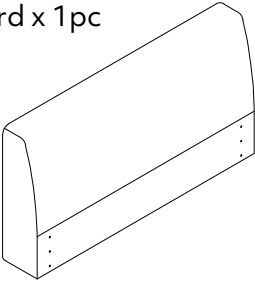
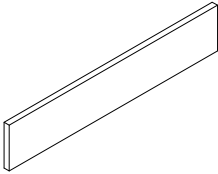
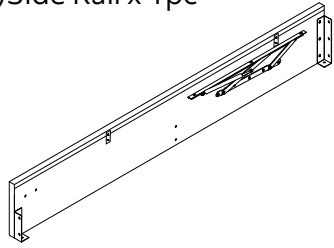
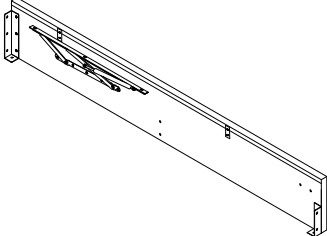
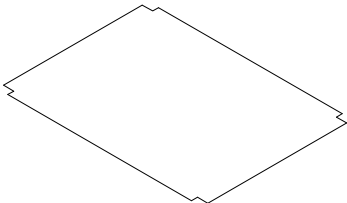
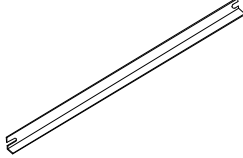
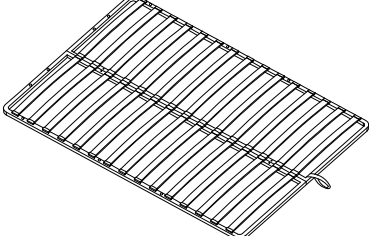

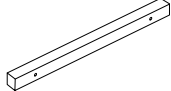
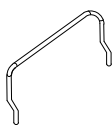
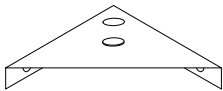
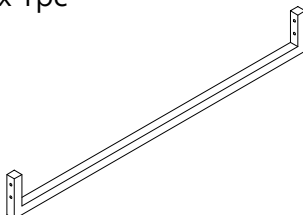
W A Z O



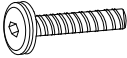
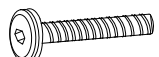





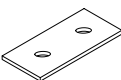
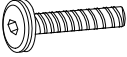
## **IMPORTANT NOTE**

1. PLEASE CHECK THAT ALL PARTS ARE PRESENT BEFORE YOU START THE ASSEMBLY OF YOUR FURNITURE.
2. FOR THE PROTECTION OF YOUR FURNITURE, PLACE ALL PARTS ON A CLEAN AND SMOOTH SURFACE TO PREVENT ANY DAMAGE.
3. DO NOT USE POWER TOOLS TO ASSEMBLE THE BED.
4. PLEASE PERIODICALLY CHECK ALL FITTINGS AND RE-TIGHTEN AS NECESSARY.
5. DO NOT USE THE BED UNLESS ALL BOLTS AND SCREWS ARE FIRMLY SECURED.

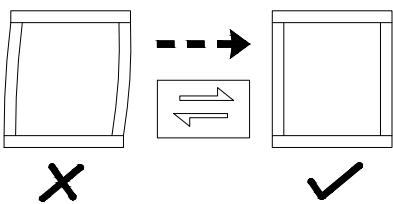
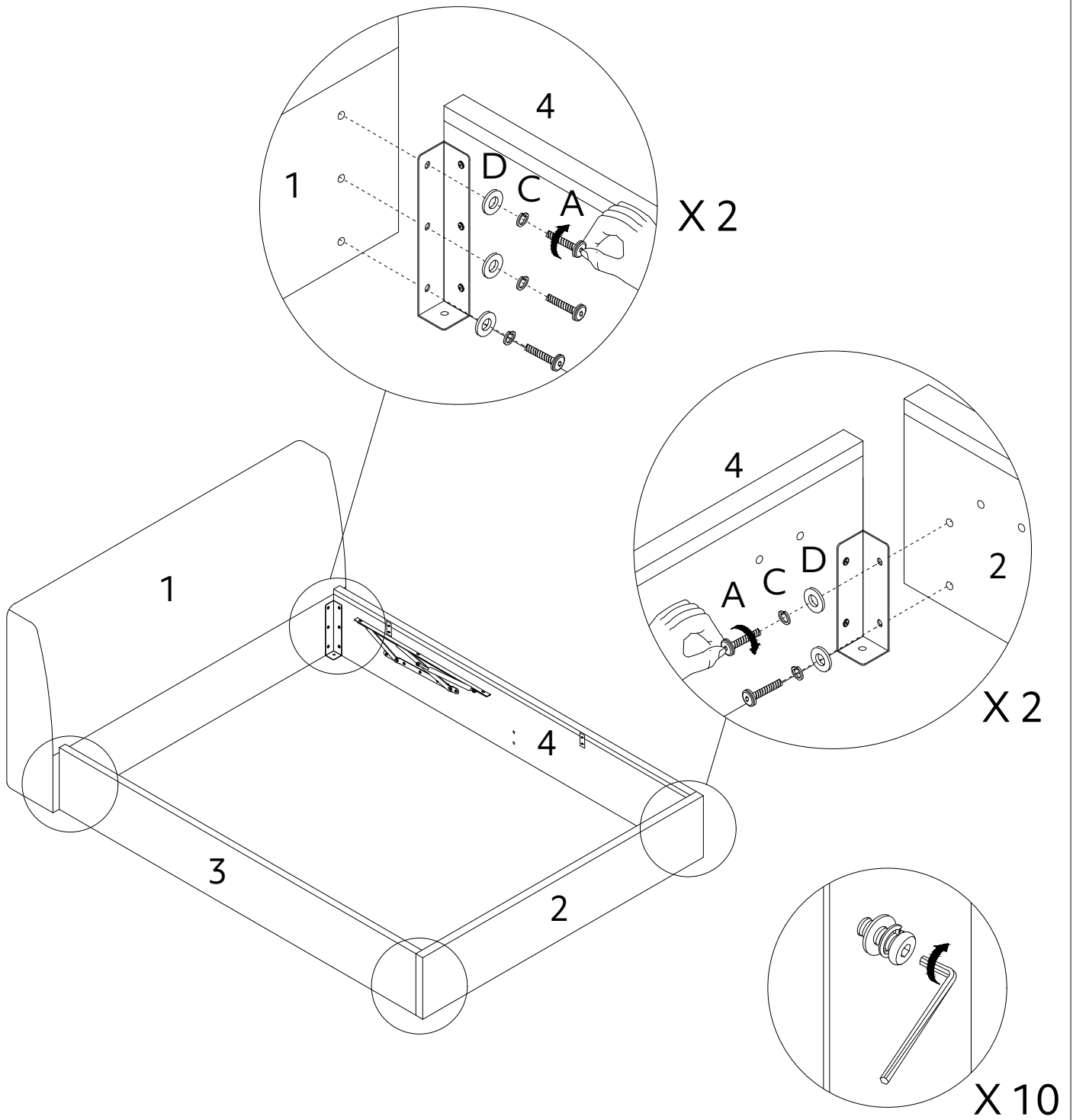
# PART LIST

<p>(1)Headboard x 1pc</p> 	<p>(2)Footboard x 1pc</p> 	<p>(3)Side Rail x 1pc</p> 
<p>(4)Side Rail x 1pc</p> 	<p>(5)Storage Board x 1pc</p> 	<p>(6)Metal Horizontal Support Bar x 1pc</p> 
<p>(7)Metal Frame Base x 1pc</p> 	<p>(8)Leg x 4pcs</p> 	<p>(9)Footboard Rail x 1pc</p> 
<p>(10)Mattress Stopper x 2pcs</p> 	<p>(11)Metal Corner Plate x 2pcs</p> 	<p>(12)'U' SHAPED CROSS BAR x 1pc</p> 

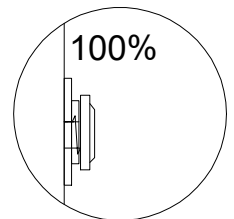
# HARDWARE LIST

<p>(A)Bolt M8 x 25mm x 18pcs</p> 	<p>(B)Bolt M8 x 50mm x 12pcs</p> 	<p>(C)Spring Washer x 22pcs</p> 	<p>(D)Flat Washer x 38pcs</p> 
<p>(E)Nut M8 x 13mm x 6pcs</p> 	<p>(F)Allen Key M5 x 1pc</p> 	<p>(G)Spanner x 1pc</p> 	<p>(H)Stator x 2pcs</p> 
<p>(I)Bolt M8 x 20mm x 8pcs</p> 			

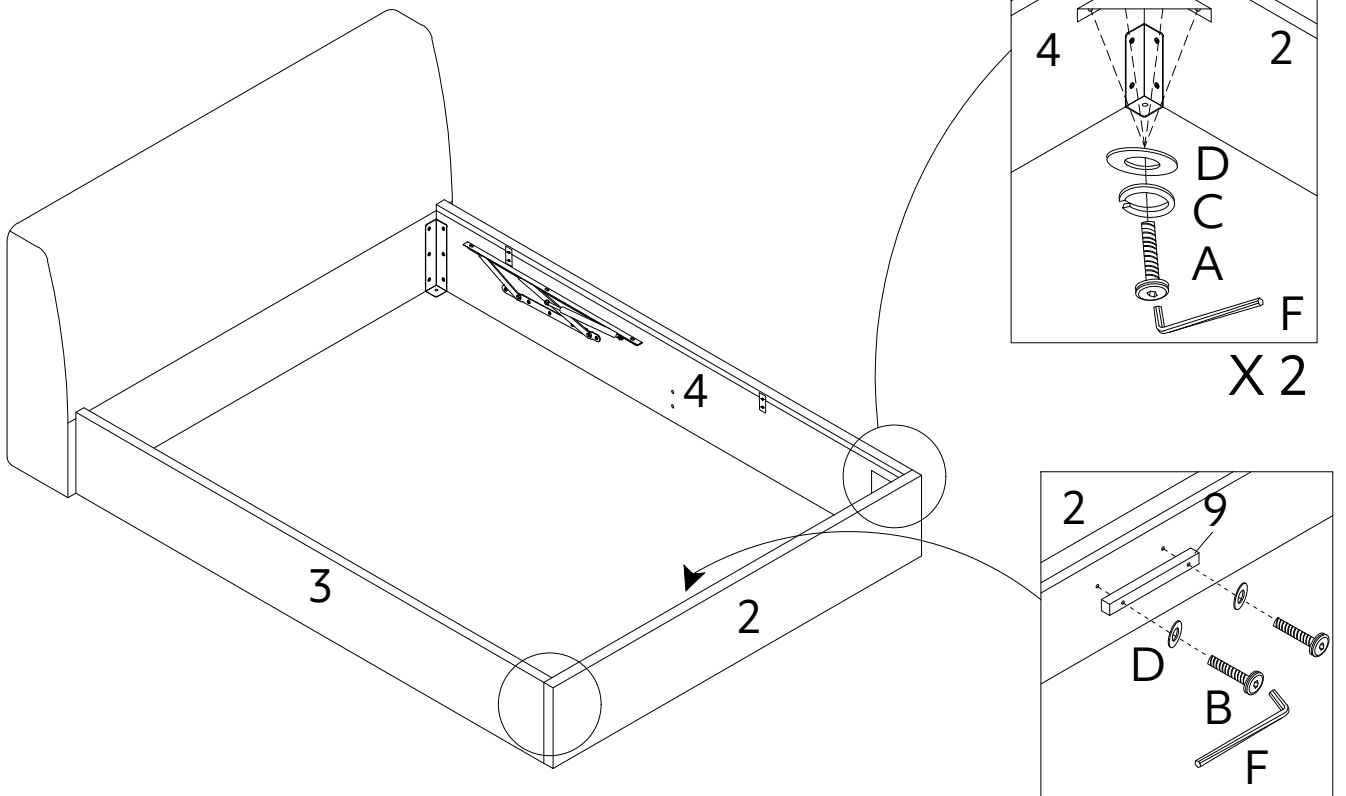
STEP 1



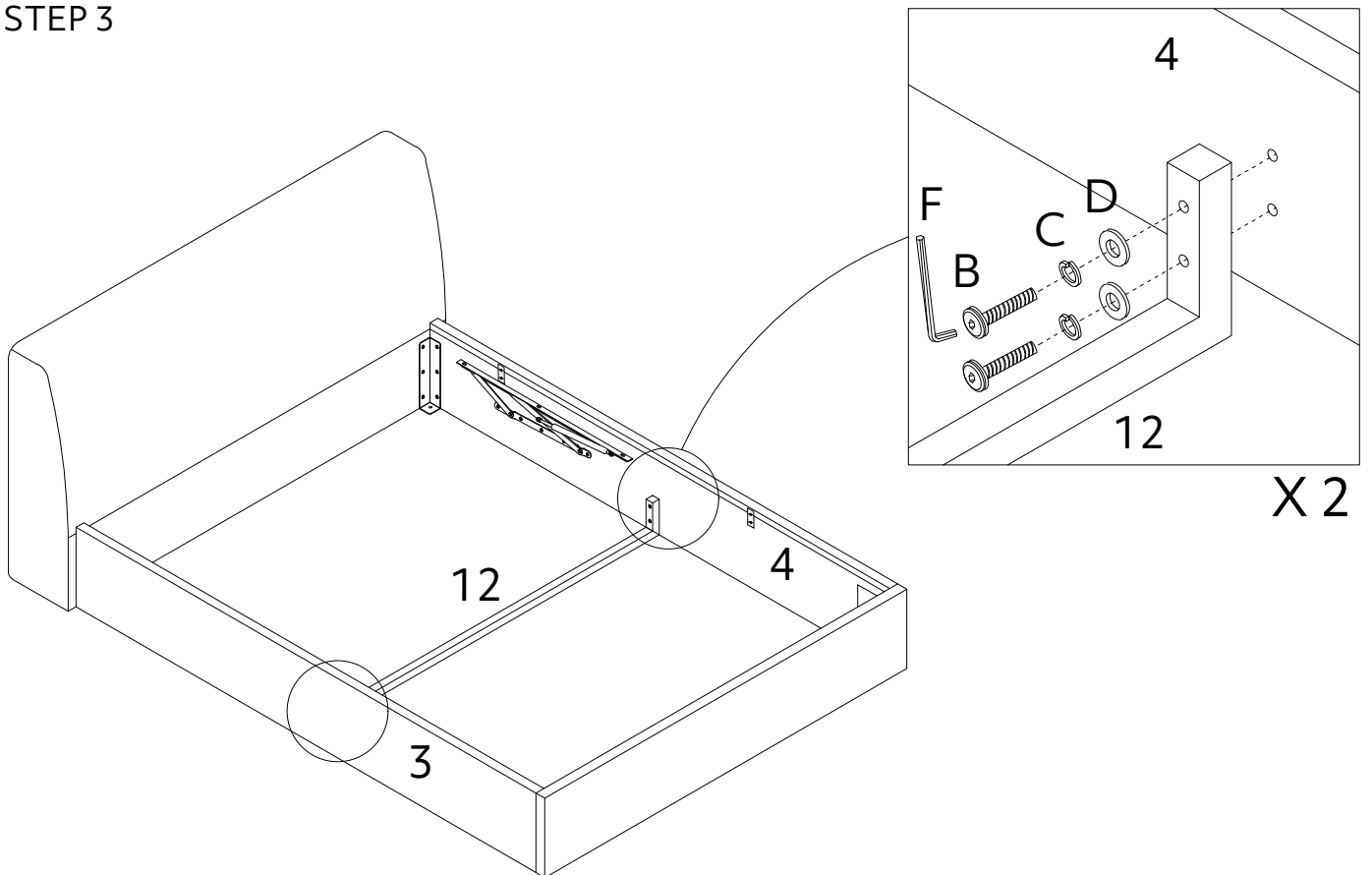
Make certain the bed is squared up as shown in the diagram then tighten all bed assembly bolts 100%.



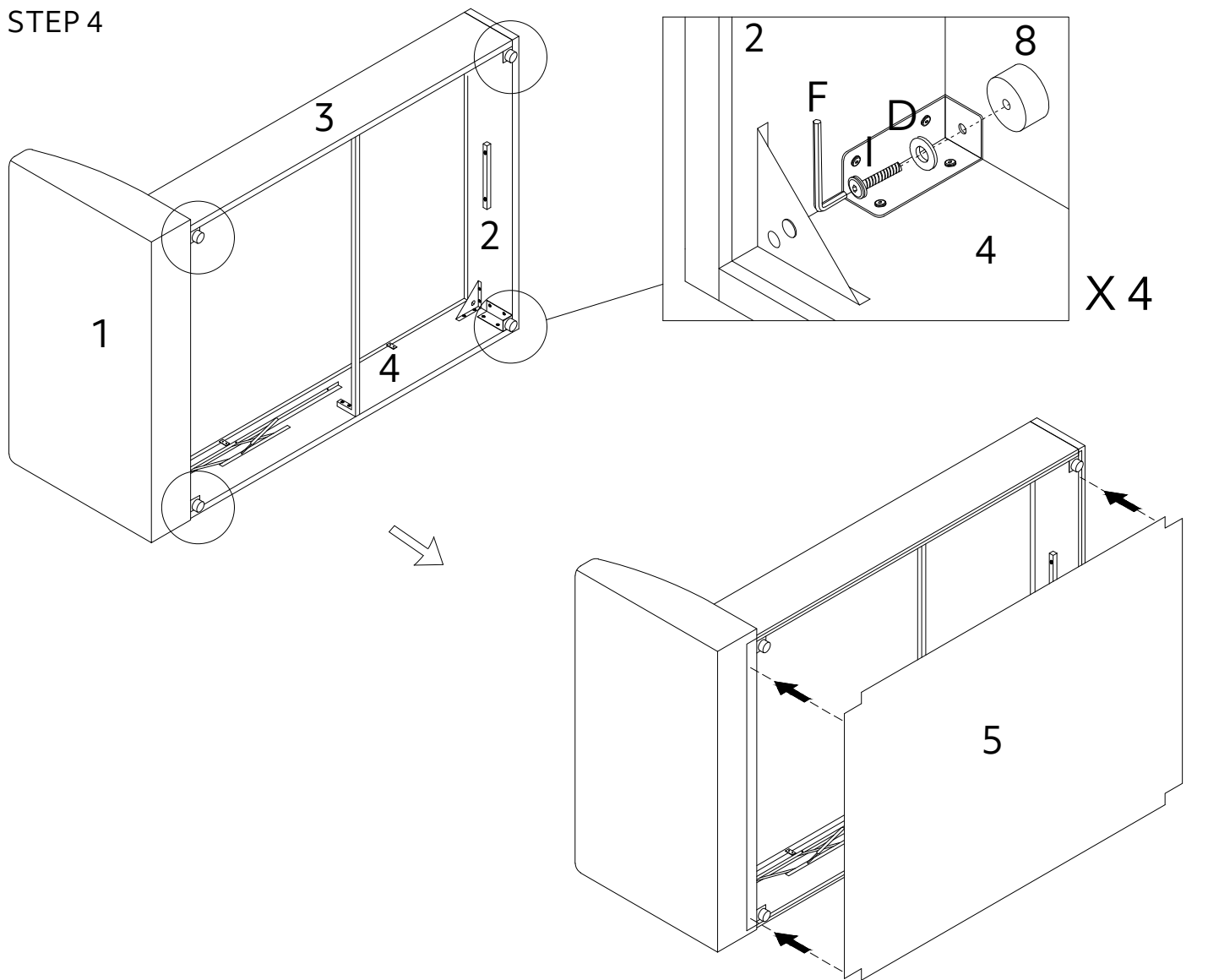
STEP 2



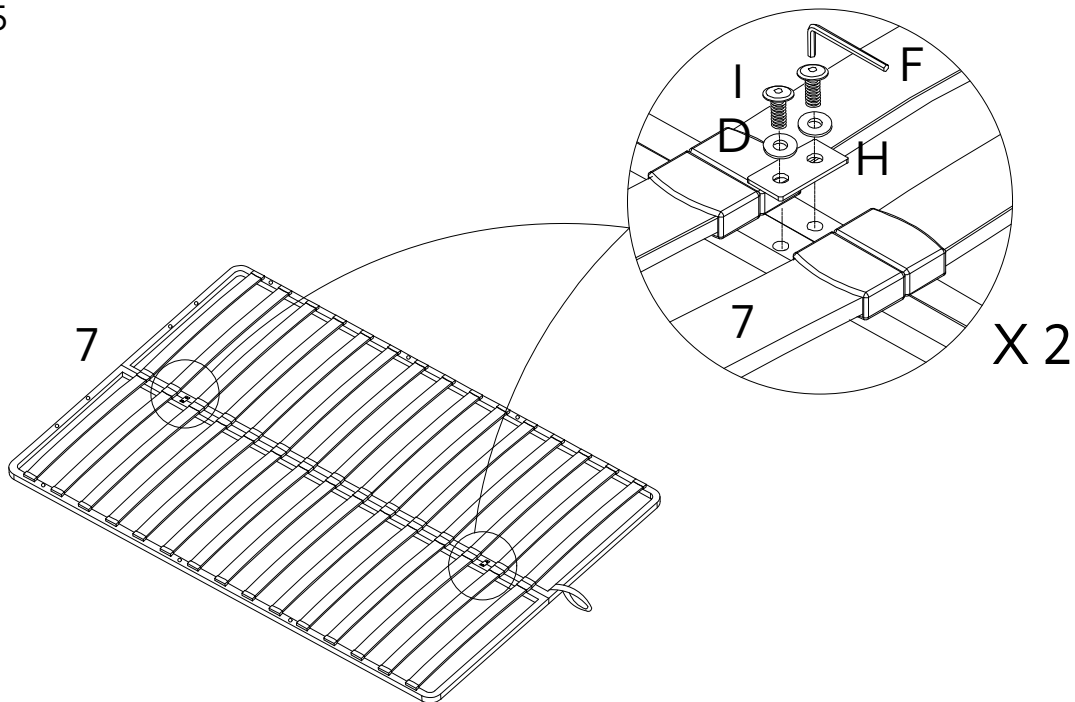
STEP 3



STEP 4

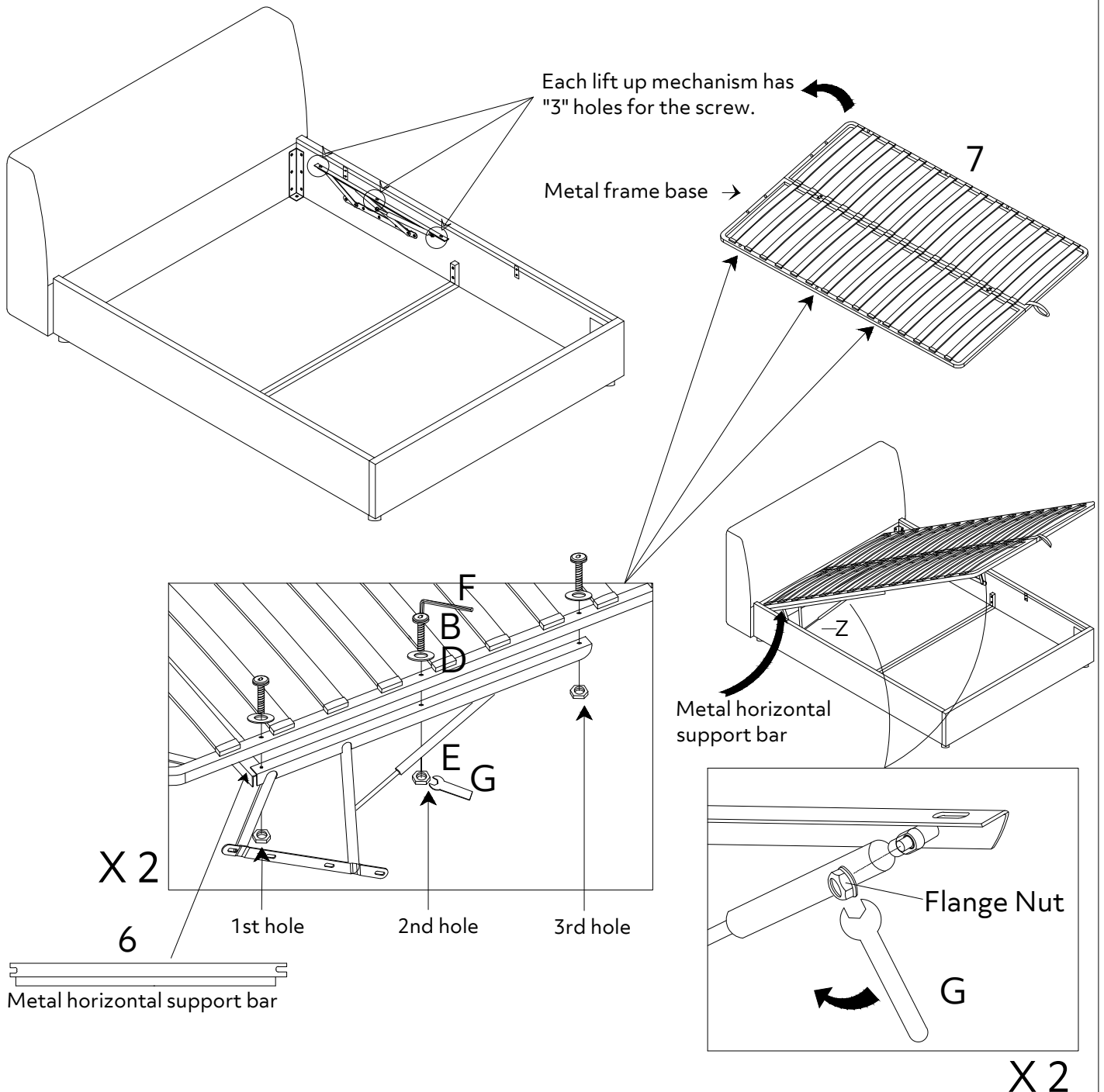


STEP 5



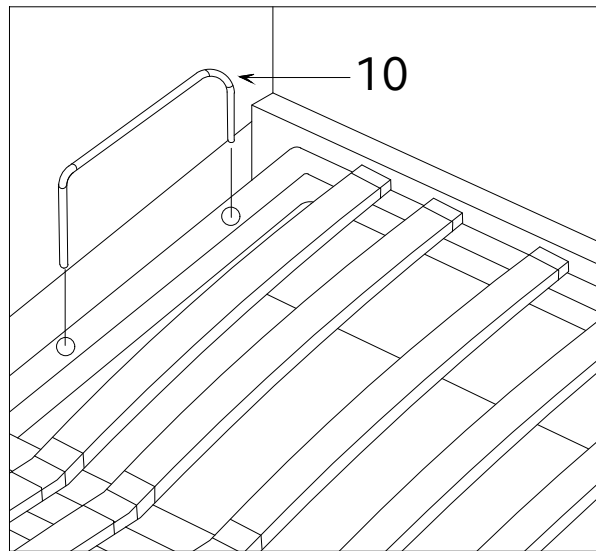
**STEP 6**

REMINDER: DO NOT FULLY TIGHTEN ALL THE BOLTS BEFORE CONFIRMING THE METAL FRAME IS IN CORRECT POSITION. THERE ARE 3 HOLES AT THE METAL FRAME AND LIFT UP MECHANISM USED FOR FIXING THE METAL FRAME ON THE LIFT UP MECHANISM. CONNECT THE METAL FRAME BASE TO THE LIFT UP MECHANISMS WITH THE BENT SLATS FACING UP WARDS. AFTER THE METAL FRAME HAS BEEN FIXED AT CORRECT PLACE, THEN ONLY TIGHTEN ALL THE BOLTS. CONNECT HYDRAULIC ARM (Z) TO FRAME WITH FLANGE NUT USING SPANNER (G).



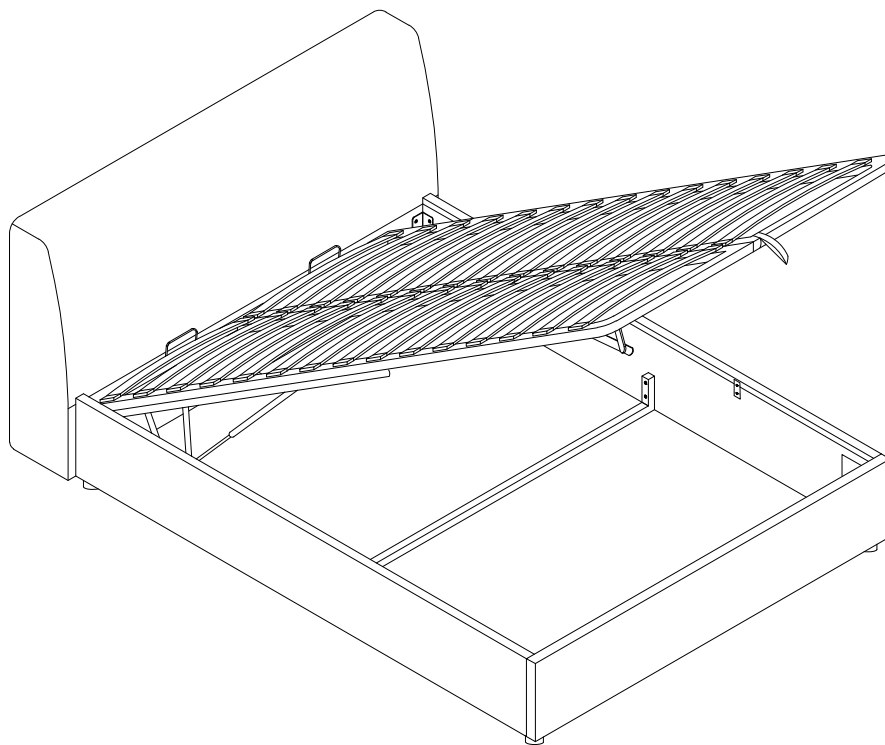
STEP 7

PUSH ITEM (10) INTO HOLES INTO FRAME



X 2

STEP 8



REMARK: FINALLY, PLACE MATTRESS ON FRAME THEN SLOWLY PUSH DOWN METAL FRAME ENSURING THE FRAME IS FULLY ALIGNED WITH THE SIDE RAIL.