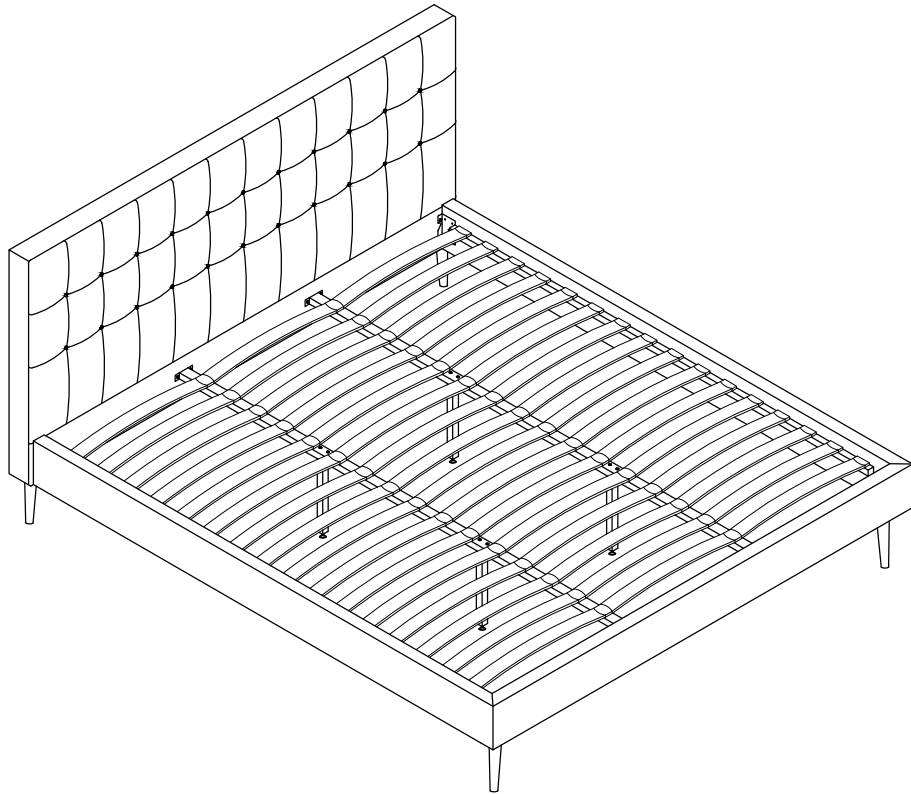


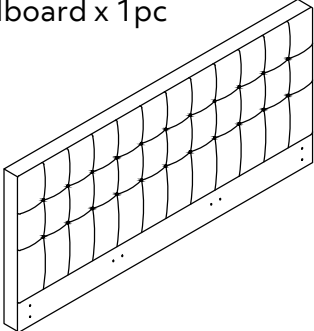
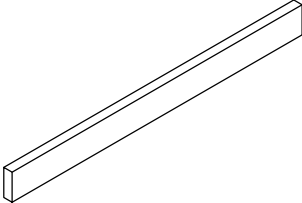
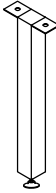
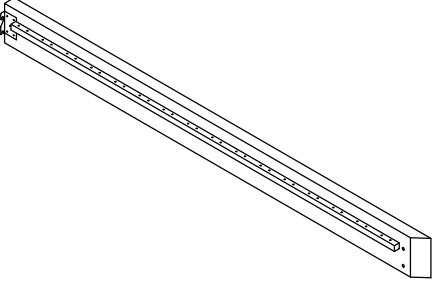
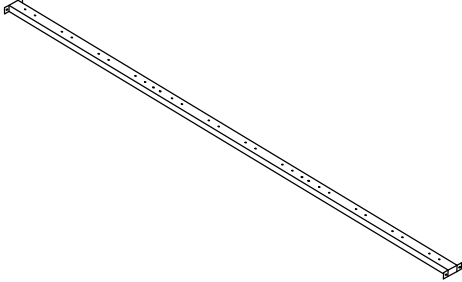
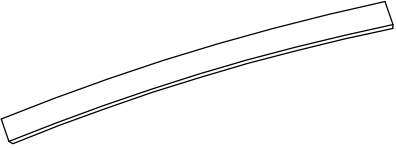
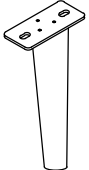



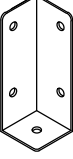
Caselle Fabric Bed B1062K









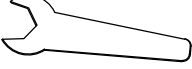
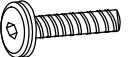
IMPORTANT NOTE

1. PLEASE CHECK THAT ALL PARTS ARE PRESENT BEFORE YOU START THE ASSEMBLY OF YOUR FURNITURE.
2. FOR THE PROTECTION OF YOUR FURNITURE, PLACE ALL PARTS ON A CLEAN AND SMOOTH SURFACE TO PREVENT ANY DAMAGE.
3. DO NOT USE POWER TOOLS TO ASSEMBLE THE BED.
4. PLEASE PERIODICALLY CHECK ALL FITTINGS AND RE-TIGHTEN AS NECESSARY.
5. DO NOT USE THE BED UNLESS ALL BOLTS AND SCREWS ARE FIRMLY SECURED.

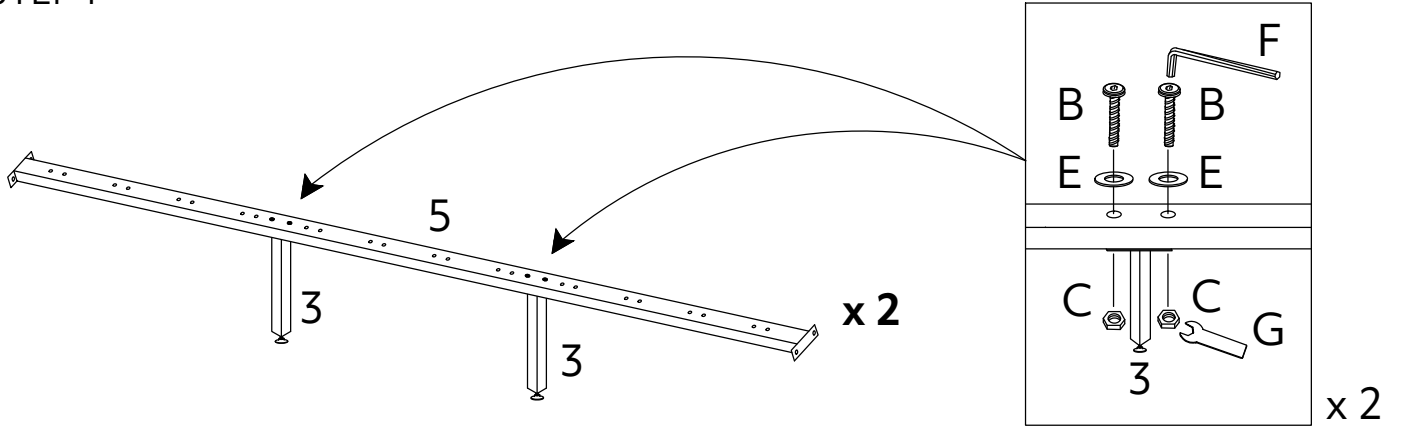
PART LIST

<p>(1)Headboard x 1pc</p> 	<p>(2)Footboard x 1pc</p> 	<p>(3)Support Leg x 4pcs</p> 
<p>(4)Side Rail x 2pcs</p> 	<p>(5)Centre Support Bar x 2pcs</p> 	<p>(6)Slat x 48pcs</p> 
<p>(7)Headboard Leg x 2pcs</p> 	<p>(8)Double Plastic Cap x 32pcs</p> 	<p>(9)Single Plastic Cap x 32pcs</p> 
<p>(10)Footboard Leg x 2pcs</p> 	<p>(11)Metal Plate x 2pcs</p> 	

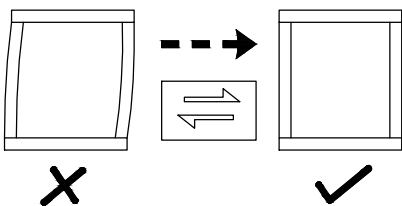
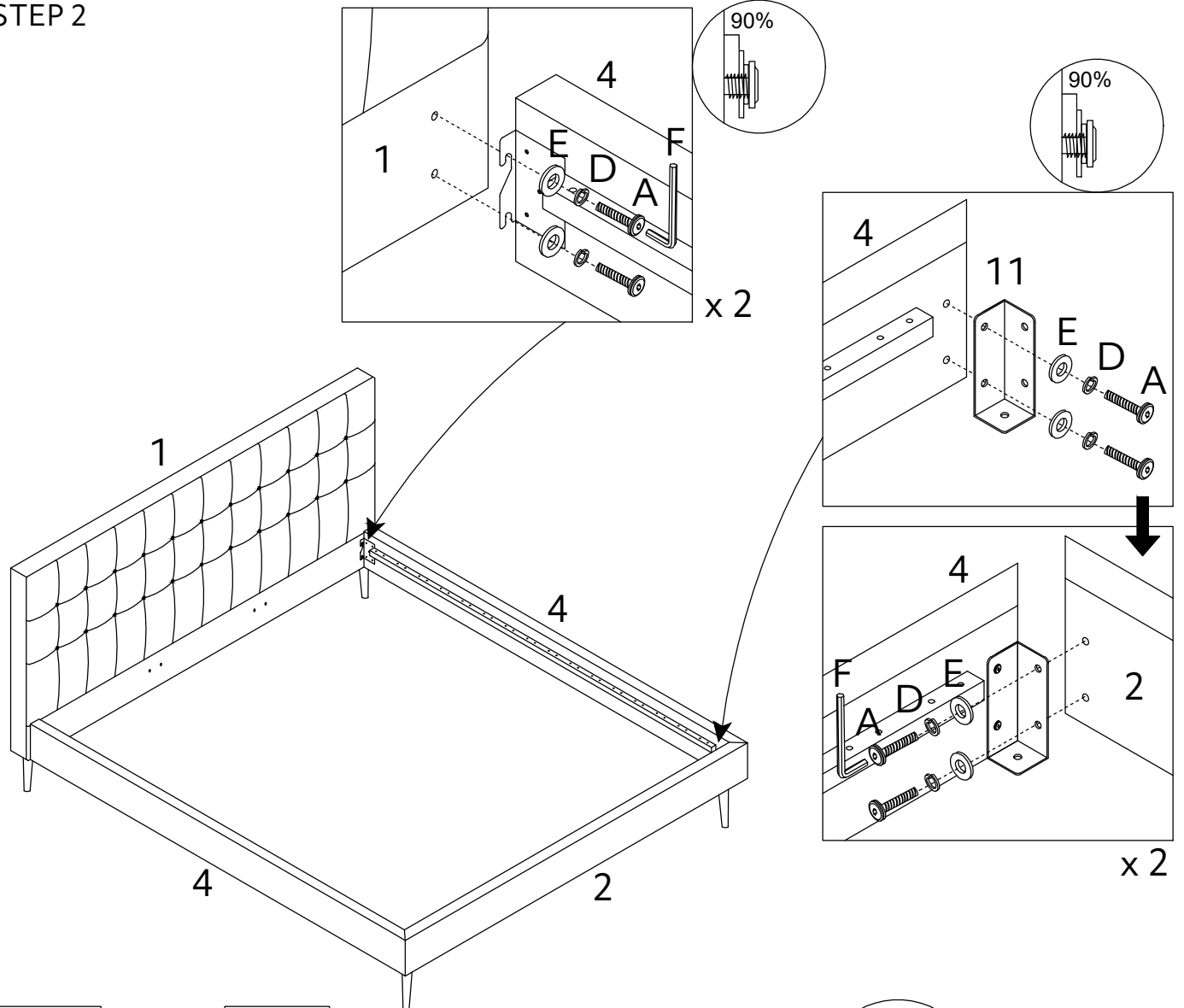
HARDWARE LIST

<p>(A)Bolt M8 x 30mm x 20pcs</p> 	<p>(B)Bolt M8 x40mm x 8pcs</p> 	<p>(C)Nut M8 x 13mm x 10pcs</p> 	<p>(D)Spring Washer x 18pcs</p> 
<p>(E)Flat Washer x 34pcs</p> 	<p>(F)Allen Key M5 x 1pc</p> 	<p>(G)Spanner x 1pc</p> 	<p>(H)Bolt M8 x 20mm x 4pcs</p> 

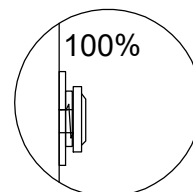
STEP 1



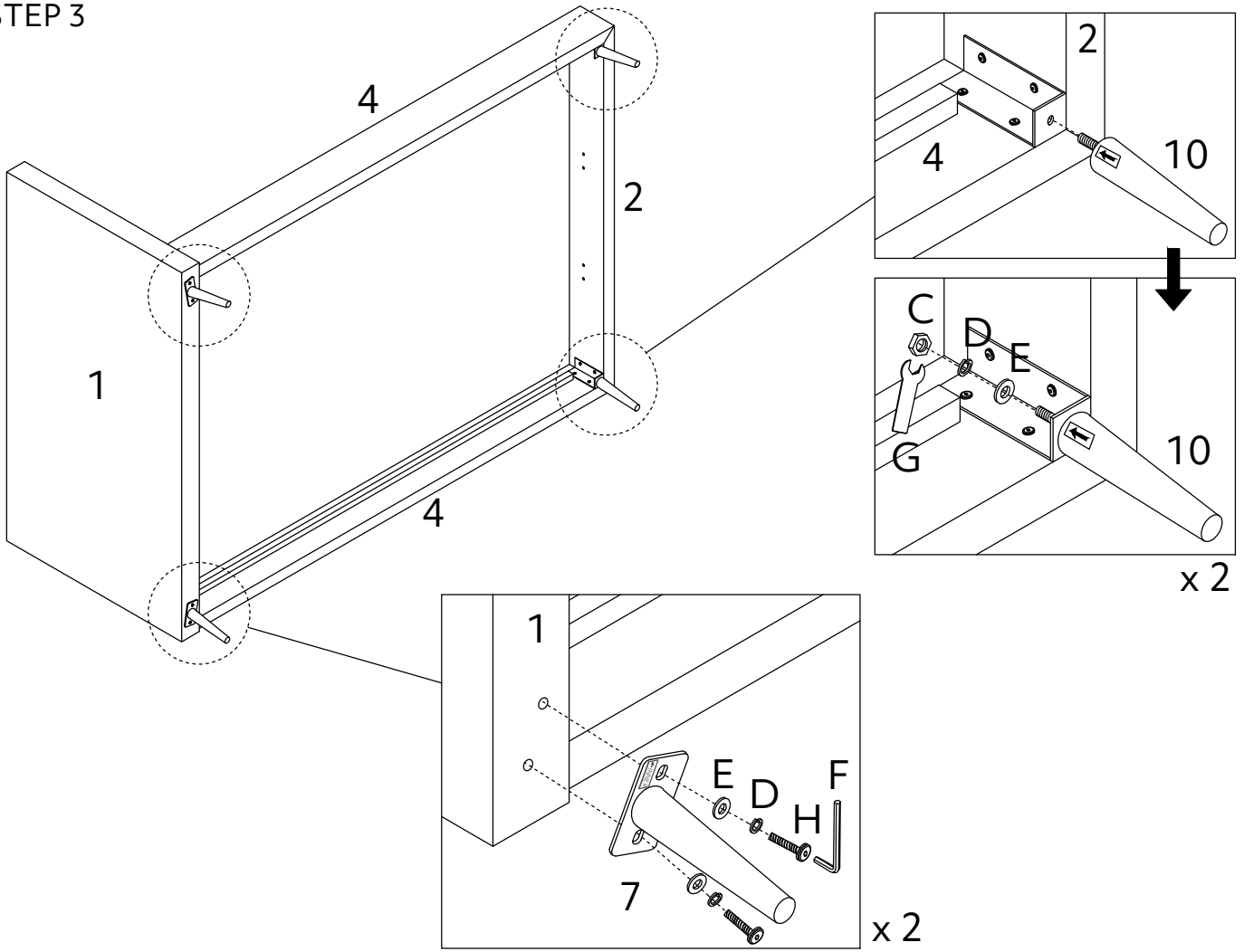
STEP 2



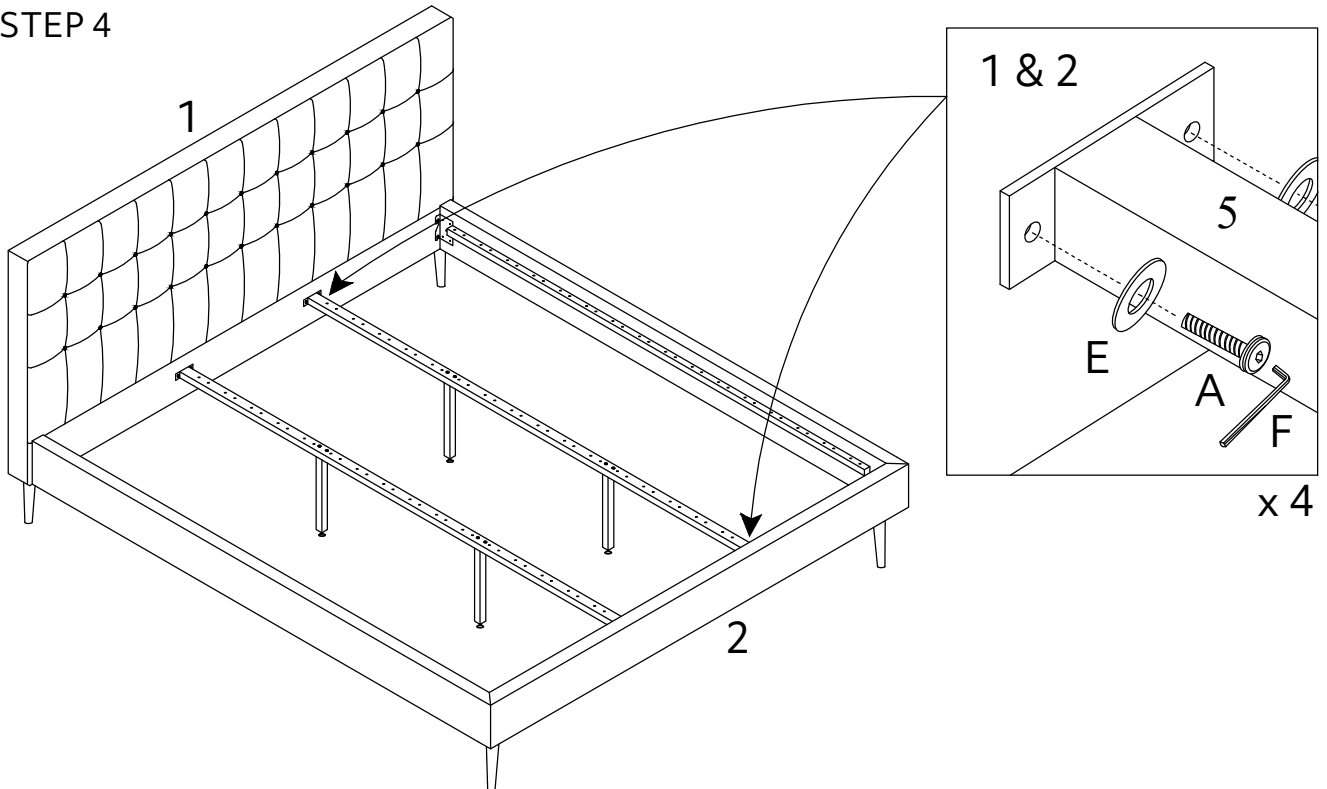
Make certain the bed is squared up as shown in the diagram then tighten all bed assembly bolts 100%.



STEP 3



STEP 4



STEP 5

