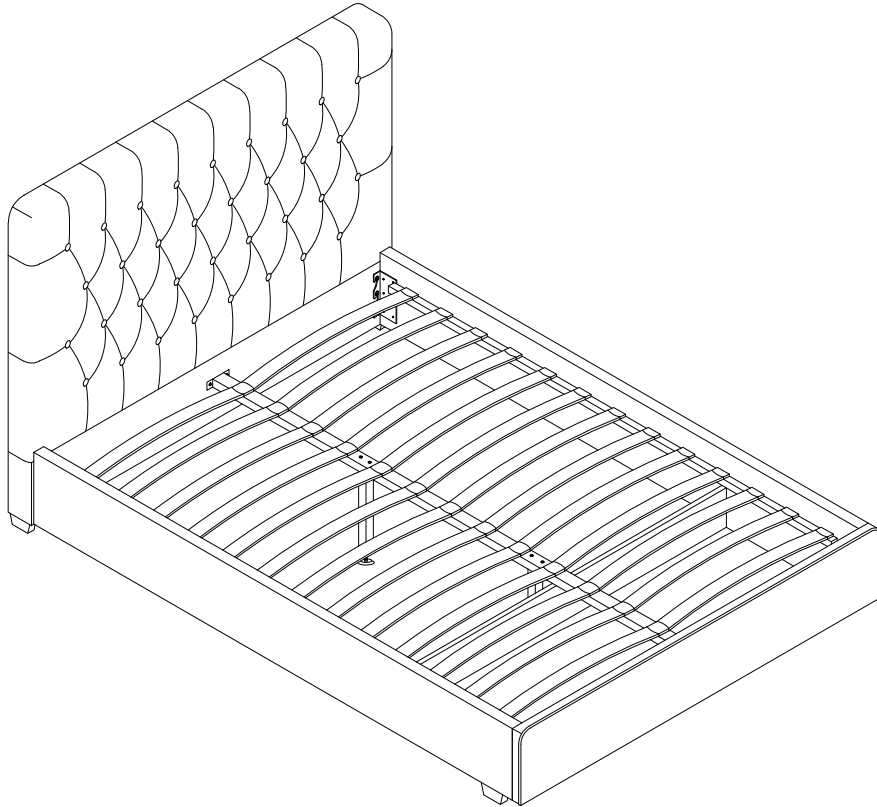


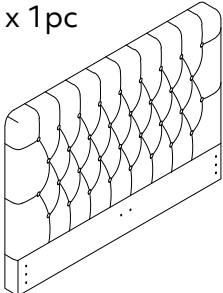
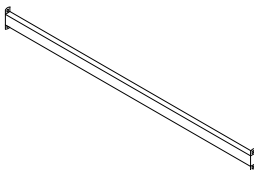
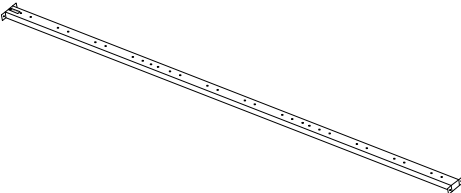
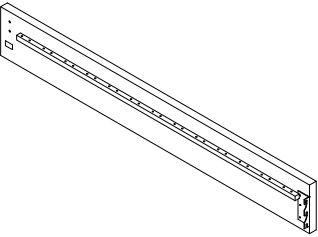
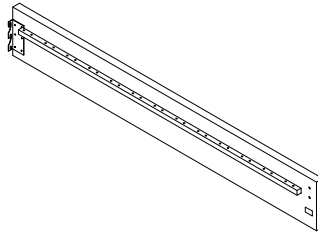
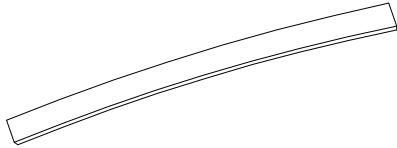
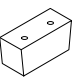
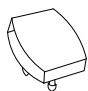

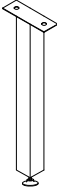
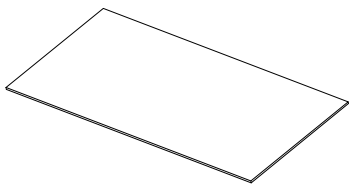
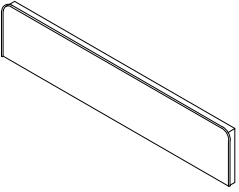
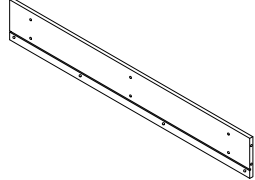
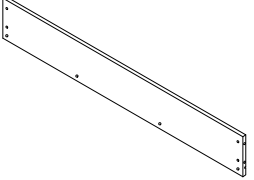
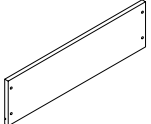


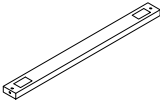
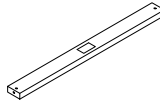
AMARA Fabric Bed B1045Q



IMPORTANT NOTE

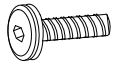
1. PLEASE CHECK THAT ALL PARTS ARE PRESENT BEFORE YOU START THE ASSEMBLY OF YOUR FURNITURE.
2. FOR THE PROTECTION OF YOUR FURNITURE, PLACE ALL PARTS ON A CLEAN AND SMOOTH SURFACE TO PREVENT ANY DAMAGE.
3. DO NOT USE POWER TOOLS TO ASSEMBLE THE BED.
4. PLEASE PERIODICALLY CHECK ALL FITTINGS AND RE-TIGHTEN AS NECESSARY.
5. DO NOT USE THE BED UNLESS ALL BOLTS AND SCREWS ARE FIRMLY SECURED.

PART LIST

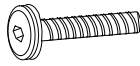
<p>(1) Headboard x 1pc</p> 	<p>(2) Cross Rail x 1pc</p> 	<p>(3) Centre Support Bar x 1pc</p> 	
<p>(4) Side Rail (Left) x 1pc</p> 	<p>(5) Side Rail (Right) x 1pc</p> 	<p>(6) Slat x 26pcs</p> 	
<p>(7) Leg x 4pcs</p> 	<p>(8) Double Plastic Cap x 13pcs</p> 	<p>(9) Single Plastic Cap x 26pcs</p> 	
<p>(10) Support Leg x 2pcs</p> 	<p>(11) Drawer Bottom Panel x 1pc</p> 	<p>(12) Drawer Front Panel I x 1pc</p> 	
<p>(13) Drawer Front Panel II x 1pc</p> 	<p>(14) Drawer Back Panel x 1pc</p> 	<p>(15) Drawer Side Panel x 2pcs</p> 	
<p>(16) Wheel I x 2pcs</p> 	<p>(17) Wheel II x 6pcs</p> 	<p>(18) Bottom Support Rail I x 2pcs</p> 	<p>(19) Bottom Support Rail II x 2pcs</p> 

HARDWARE LIST

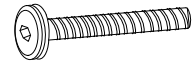
(A) Bolt M8 x 25mm x 8pcs



(B) Bolt M8 x30mm x 6pcs



(C) Bolt M8 x40mm x 4pcs



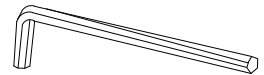
(D) Spring Washer x 16pcs



(E) Flat Washer x 24pcs



(F) Allen Key M5 x 1pc



(G) Spanner x 1pc



(H) Nut M8 x 13mm x 4pcs



(J) Screw M4 x 45mm x 8pcs



(K) Plastic Barrel Nuts x 16pcs



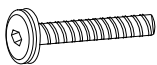
(L) Screw M5 x 50mm x 16pcs



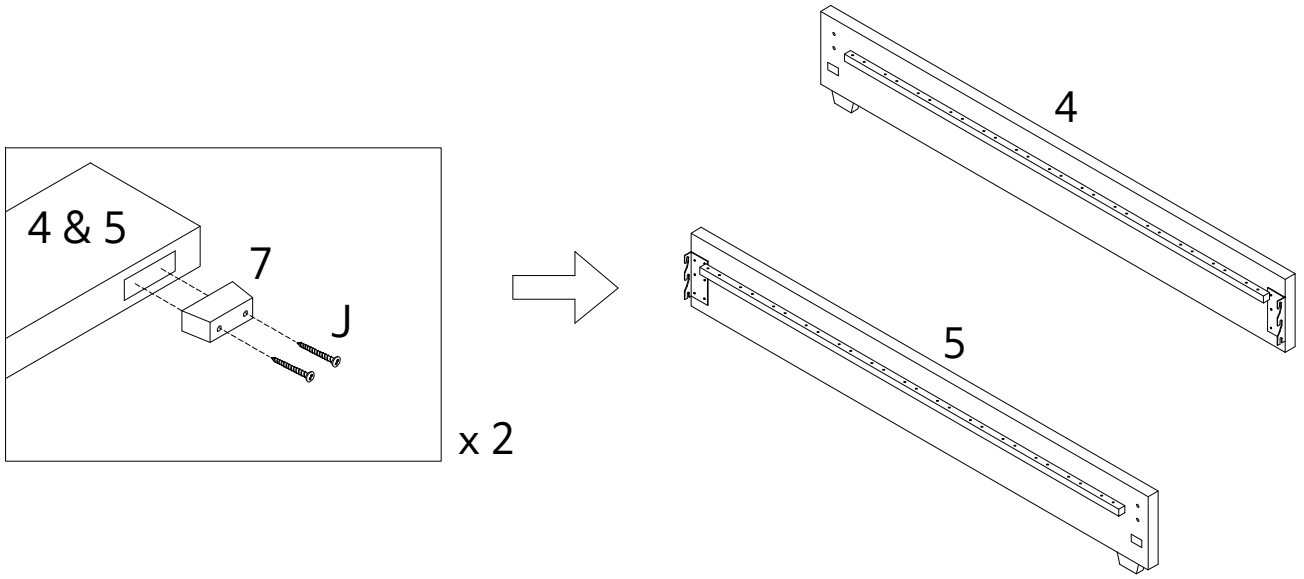
(M) Screw M4 x 20mm x 28pcs



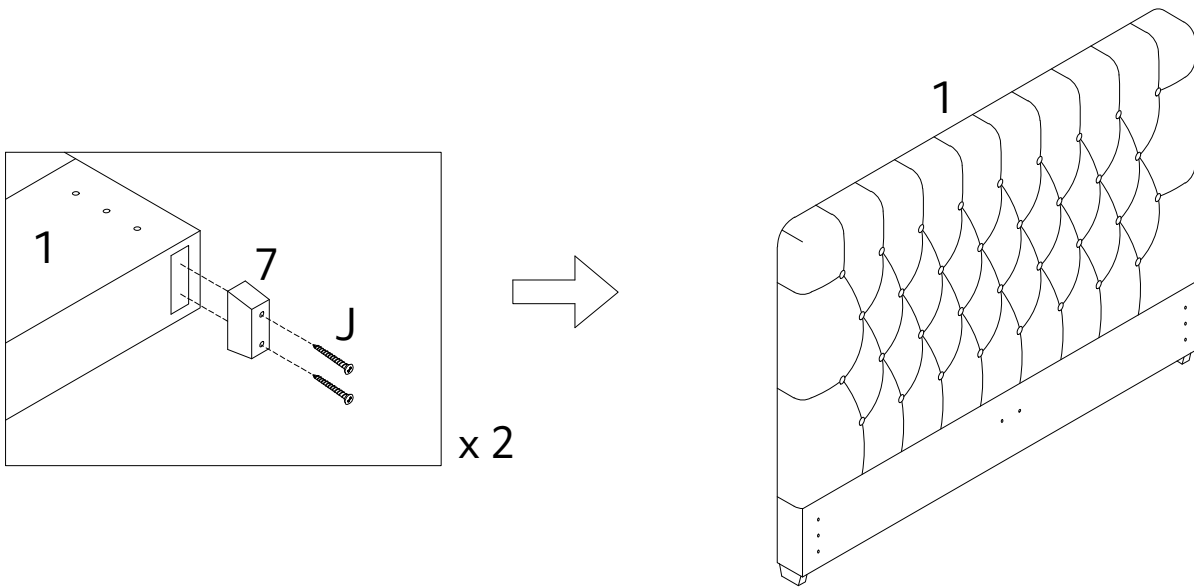
(N) Bolt M8 x35mm x 6pcs



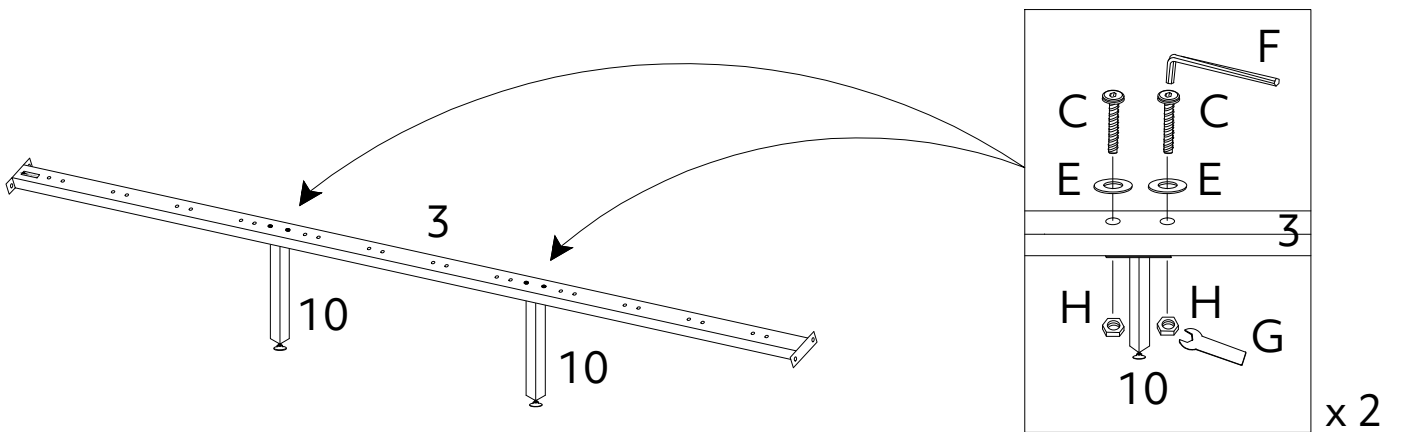
STEP 1



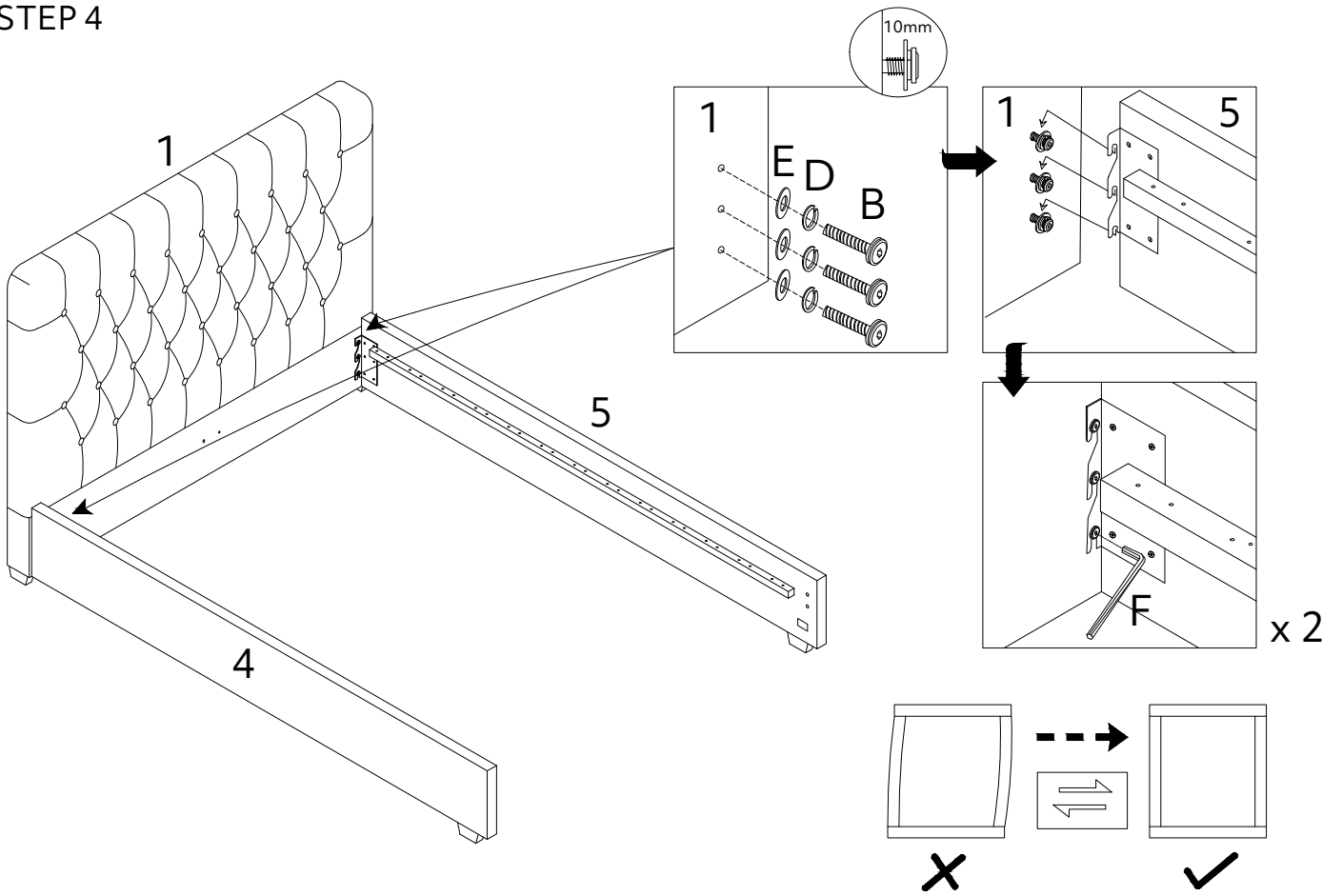
STEP 2



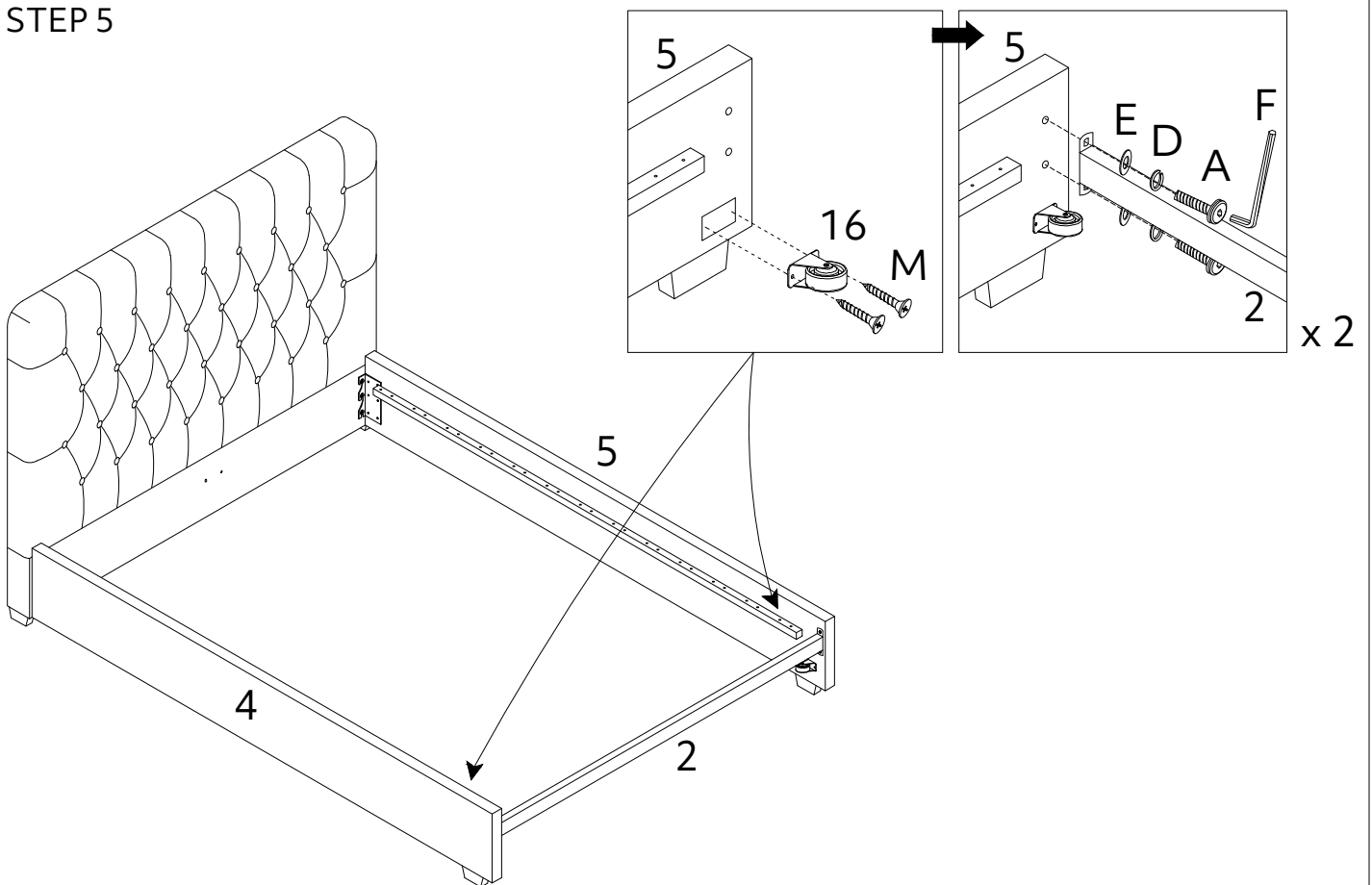
STEP 3



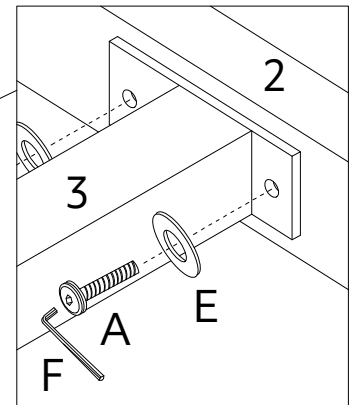
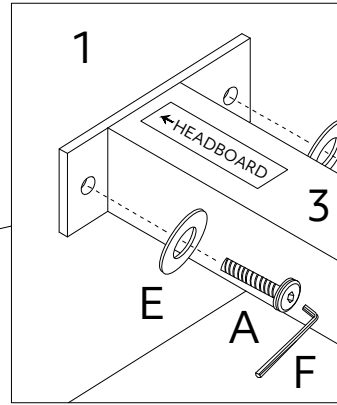
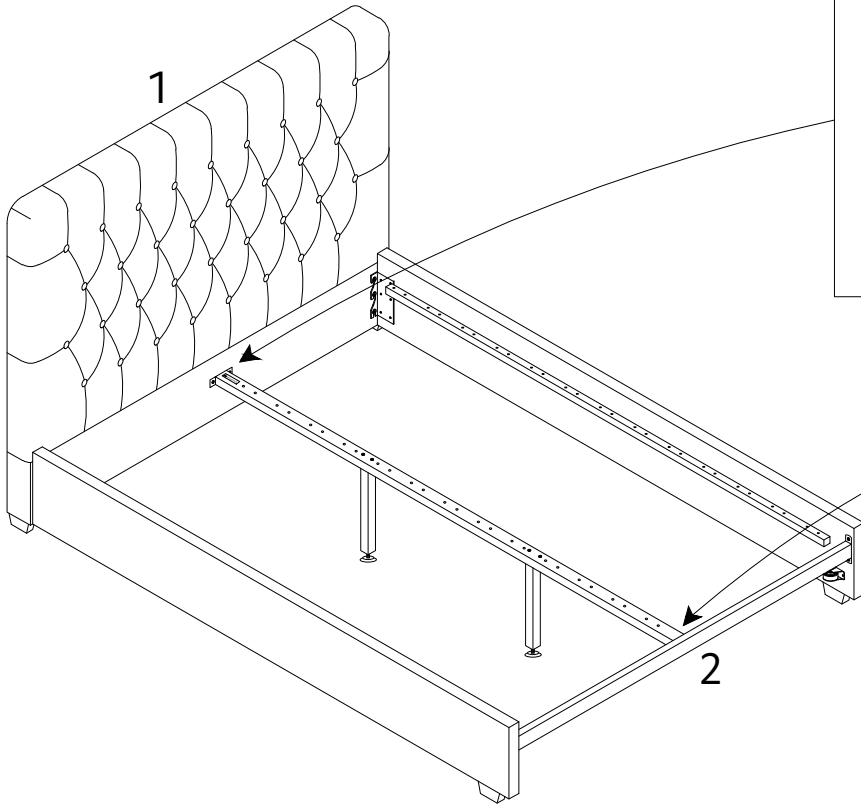
STEP 4



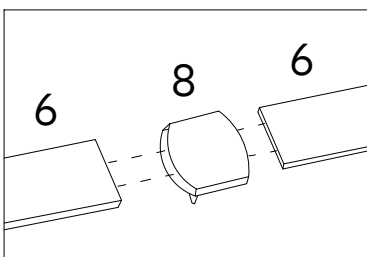
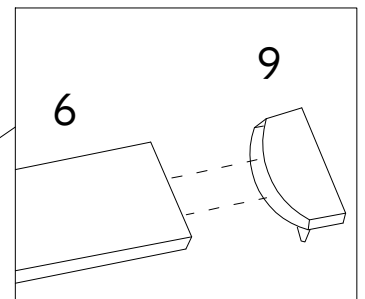
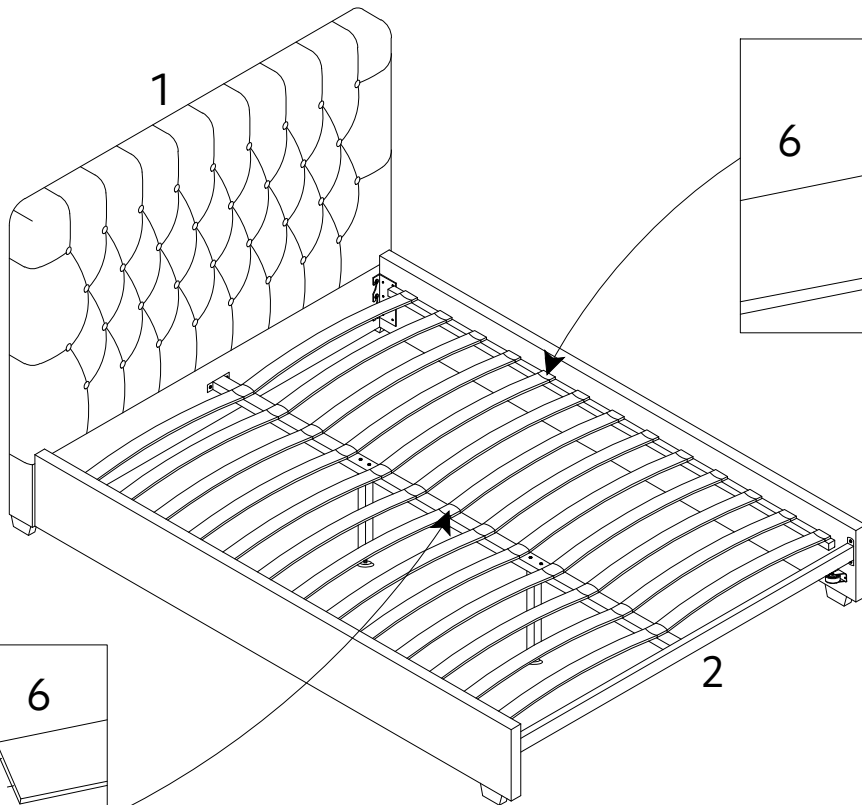
STEP 5



STEP 6

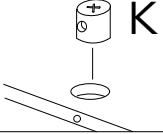


STEP 7

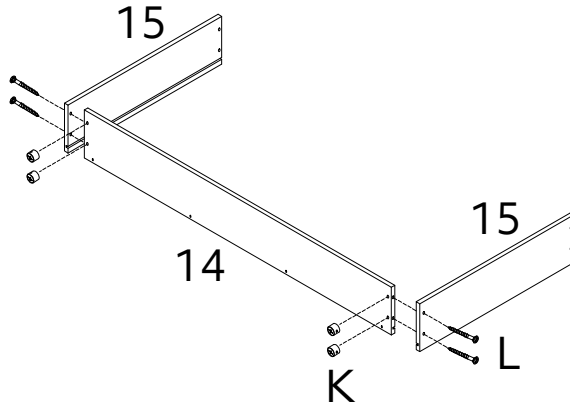


STEP 8

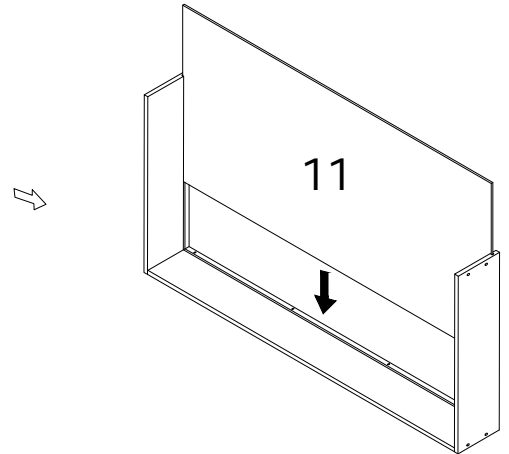
Important:
Make sure when you fit the
nuts that the hole is in the
correct alignment.



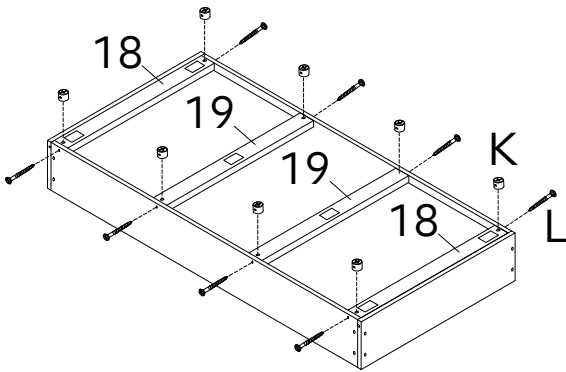
i:



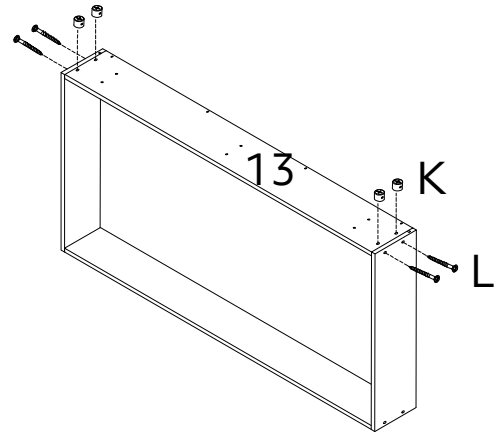
ii:



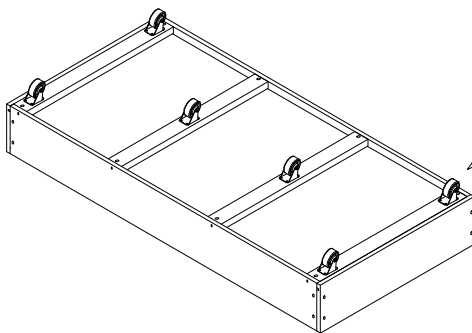
iv:



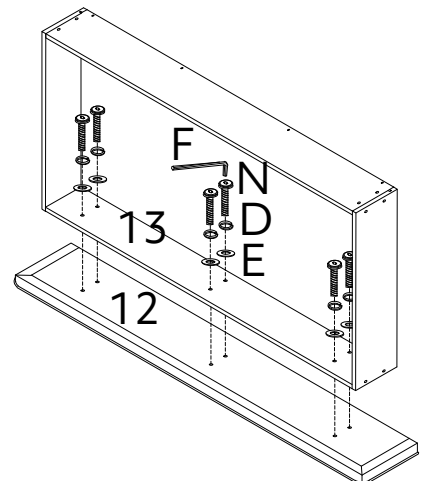
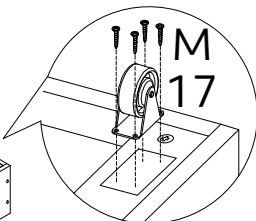
iii:



v:



vi:



STEP 9

