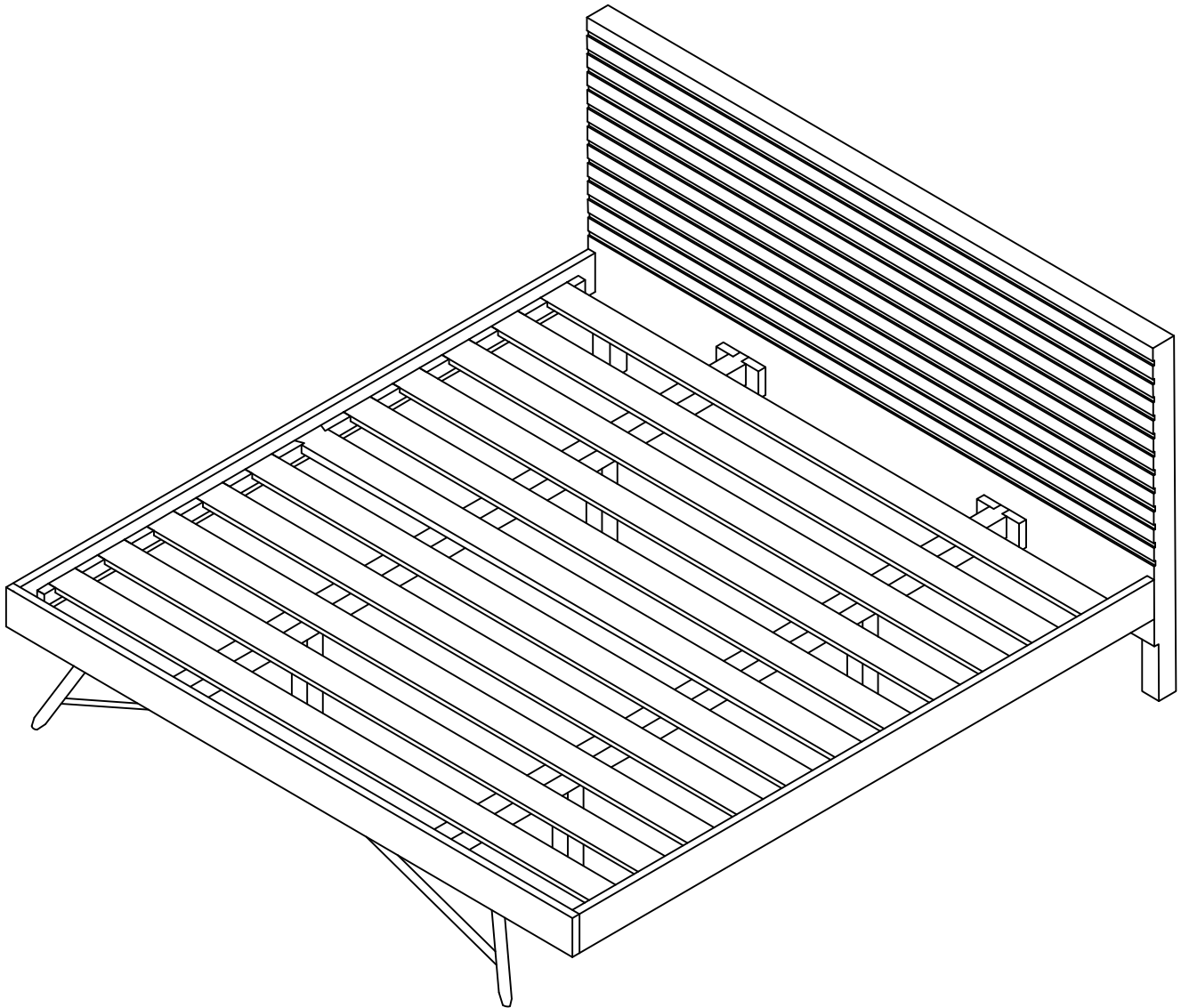




W A Z O

VERSION 1.0

ASSEMBLY INSTRUCTIONS



ARIA

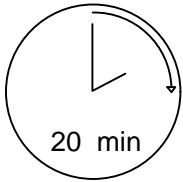
Acacia Bed(Queen)

B1037Q

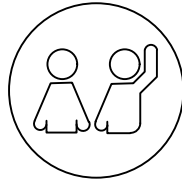
## ASSEMBLY INSTRUCTIONS

Read these instructions carefully and keep for future reference. Ensure that you have all the pieces before starting assembly by referring to the parts inventory. When starting assembly, place all pieces on a soft, clean, and flat surface like a carpet to prevent scratches or damage.

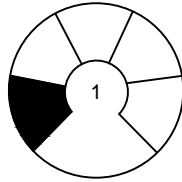
If you are having difficulty, our VIP Team is always here for you. Call us at 1-800-684-6014 during business hours or email us at [service@wazofurniture.com](mailto:service@wazofurniture.com).



TIME



# OF PEOPLE



DIFFICULTY



ALLEN KEY



ANTI-TIP  
Installation Required

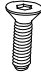
PARTS INVENTORY		
ID	DESCRIPTION	QTY
<b>A</b>	Headboard	1
<b>B</b>	Footboard	1
<b>C</b>	Side Rails	2
<b>D</b>	Legs	2
<b>E</b>	Center Support	2
<b>F</b>	Slates	11

### IMPORTANT NOTES

1. Please check that all parts are present before starting assembly.
2. For the protection of your furniture and to ensure it is not damaged in the assembly process, place all parts on a clean, smooth surface.
3. In order to align all screws properly, tighten all screws halfway first until product frame is assembled and then tighten fully when all screws are aligned.
4. Do not use power tools for assembly.
5. Please periodically check all fittings and re-tighten as necessary.
6. Do not use furniture unless all bolts and screws are firmly secured.

**!** Structural Integrity is warranted only if all fasteners are properly installed & tightened, and the sideboard is moved only per instruction.



HARDWARE/ TOOL INVENTORY		
ID	DESCRIPTION	QTY
1	M6 X 16mm Bolt 	10
2	Allen key	1
3	Wrench Pana Tool 12-13	1
4	Bolt	8
5	Anti Tip Kit	2

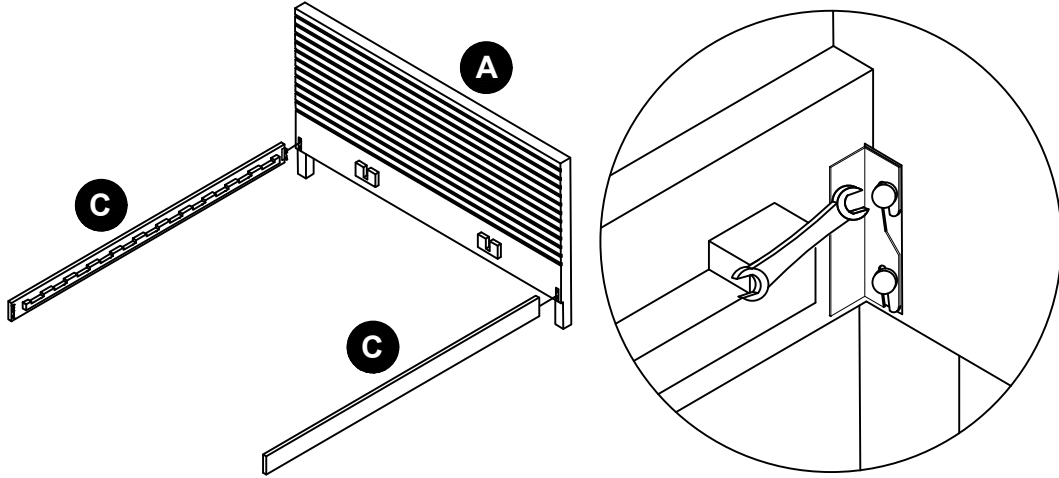


W A Z O

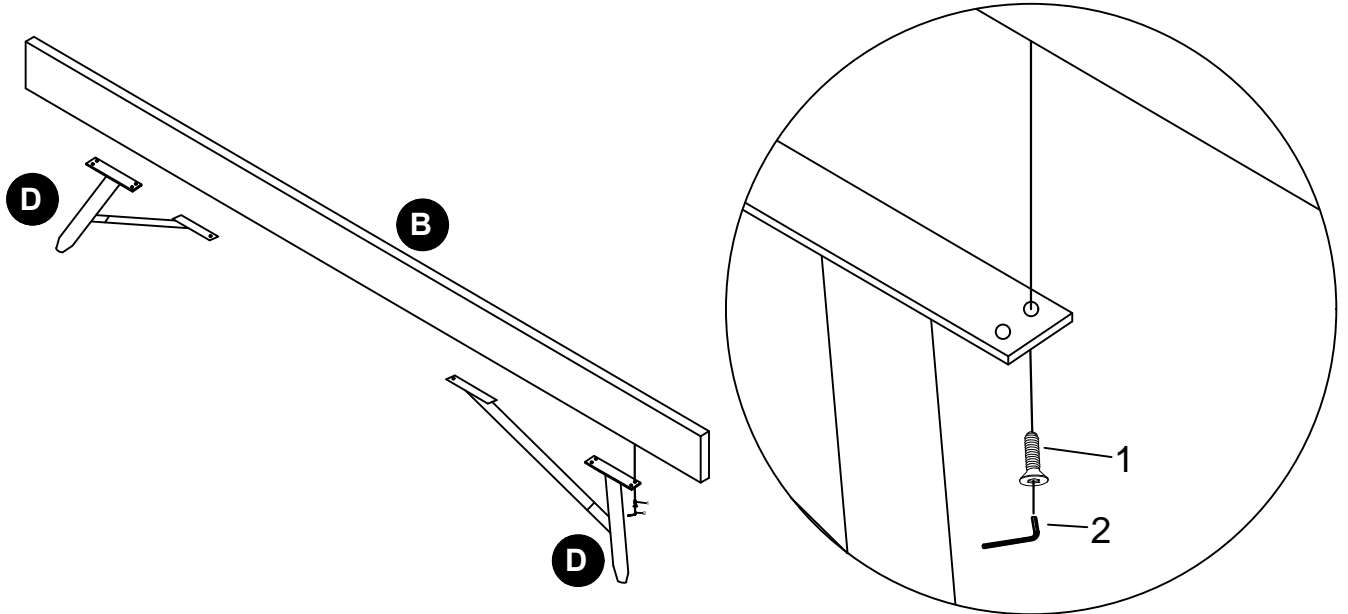
ARIA Acacia Bed(Queen)

Page 4 of 5

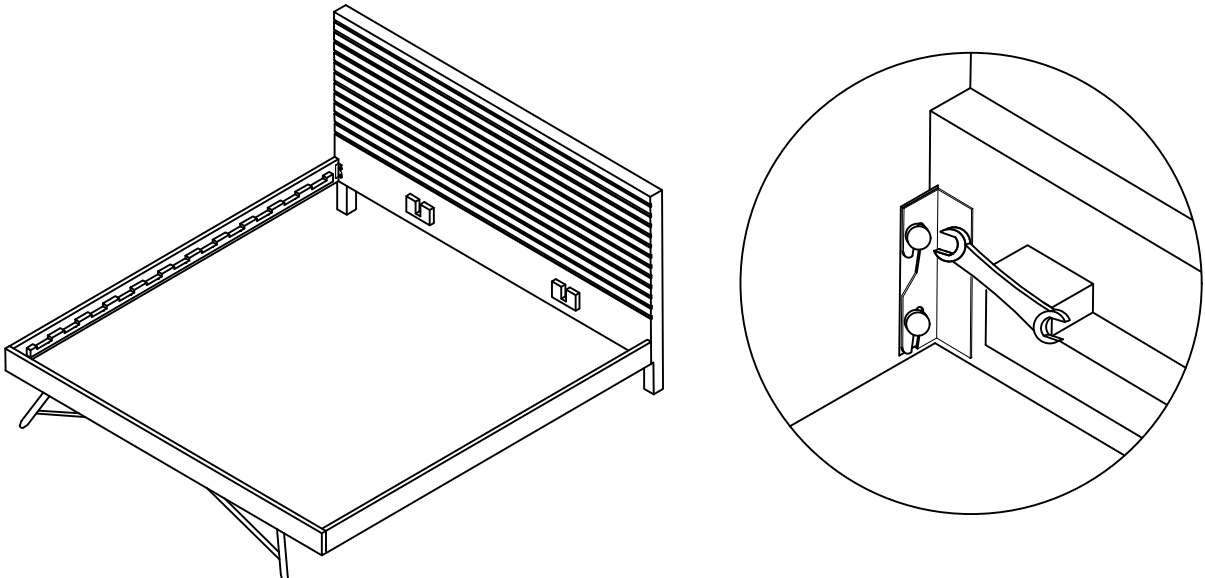
1



2

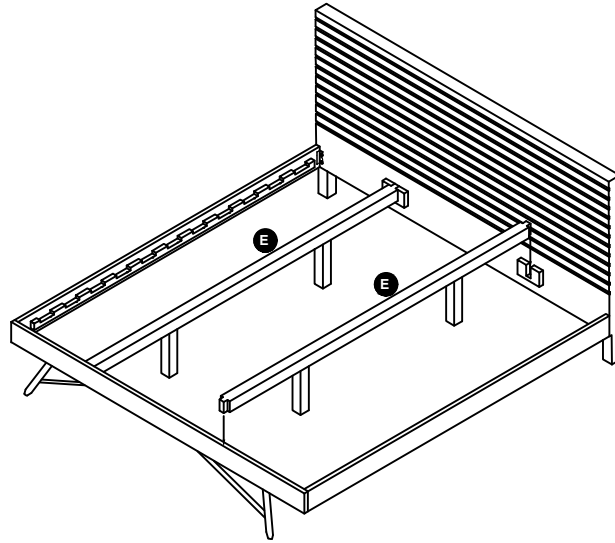


3

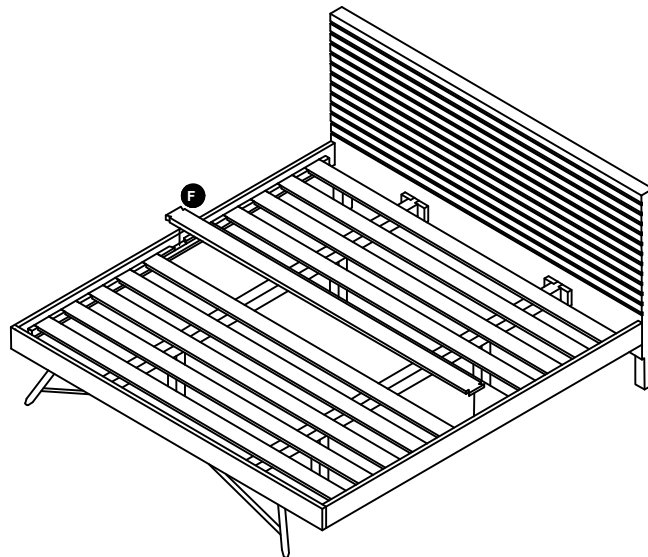




4



5



6

