

# HIRA

## QUICKSTART GUIDE

## READ FIRST

THIS MEI-CHA DEVICE IS INTENDED FOR PROFESSIONAL USE ONLY.  
BEFORE USING THIS DEVICE READ ALL GUIDELINES AND INSTRUCTIONS.

Use only cartridges with complete sealed membrane to prevent any fluid backflow.

Use barrier or sleeve to protect your device from fluid and contamination.

Avoid dropping the device as it may cause damage to the internal components.

Clean the device with power switched off.

Clean using proper disinfectant wipes or disposable pads with sterilization solution.

Do not spray solutions or liquid directly onto the device.

Do not disassemble the device.

Do not attempt to lubricate the device.

Keep the device away from children.

Keep the device in its protective case and away from dust when not in use.



## IMPORTANT SAFETY INSTRUCTIONS

WARNING: THESE WARNINGS APPLY TO THE DEVICE, AND ALSO WHERE APPLICABLE, TO ALL TOOLS, ACCESSORIES, CHARGERS OR ADAPTORS. TO REDUCE THE RISK OF FIRE, ELECTRIC SHOCK OR INJURY.

Charge battery fully before first use.

Use only USB to USB-C cable for charging.

Always clean the device with the power switched off.

Immediately discontinue use of the battery if, while using or charging, the battery emits an unusual smell, feels hot, or appears abnormal in any way.

Do not attempt to clean the battery with sharp objects.

Do not incinerate or expose the battery to heat.

Do not disassemble, or modify the battery pack.

Do not drop the battery.

Do not immerse in any liquid. If dropped in liquid, retrieve with caution.

Do not allow to be used as a toy. Keep away from children and pets.

Please contact MEI-CHA or authorized distributor if you have any additional questions.

TECHNICAL DATA	—————	4
KIT CONTENTS	—————	5
ASSEMBLY	—————	6 - 9
OPERATION	—————	10 - 11
CHARGING	—————	12
TROUBLESHOOTING	—————	13
WARRANTY	—————	14

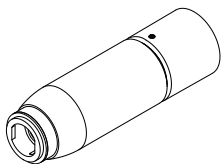
## TECHNICAL DATA

DEVICE SHELL MATERIAL	6061-T6 Aircraft Grade Aluminum
DEVICE WEIGHT	3.9 oz
STROKE LENGTH	2 mm *
MOTOR	Faulhaber DC Motor
SPEED RPM/PPS	5400/90   6300/105 6900/115   7800/130
BATTERY PACK	850mAh Lithium-ion
BATTERY CHARGING TIME	3.5 Hours
RUNTIME WITH MEI-CHA CARTRIDGES	Up to 6 Hours
RUNTIME WITH TATTOO CARTRIDGES	Up to 4 Hours **

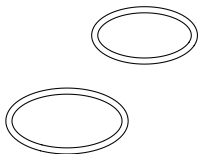
\* Optimized for permanent makeup procedures

\*\* Operating duration will decrease while using tattoo cartridges with larger needle grouping

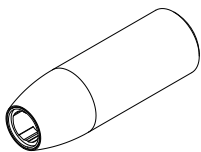
## KIT CONTENTS



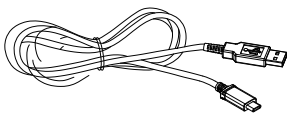
HIRA DEVICE



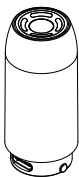
REPLACEMENT O-RING X2



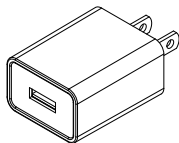
OPTIONAL GRIP FOR  
STANDARD TATTOO  
CARTRIDGE



USB TYPE A TO TYPE C  
CHARGING CABLE



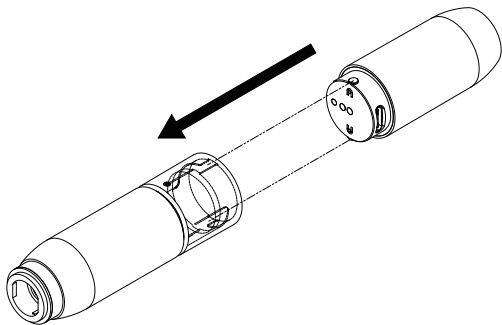
RECHARGEABLE  
BATTERY PACK X2



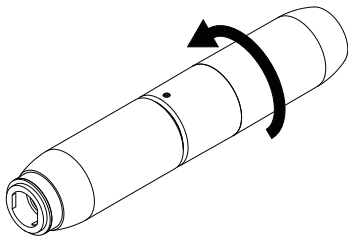
USB POWER ADAPTER

## ASSEMBLY — INSTALLING BATTERY PACK

1. Match the indicators on the device and insert the battery pack.

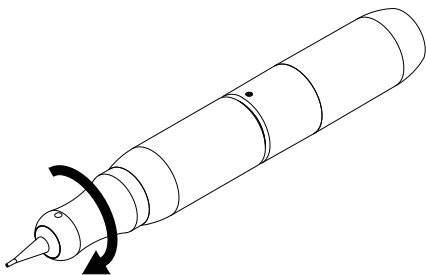
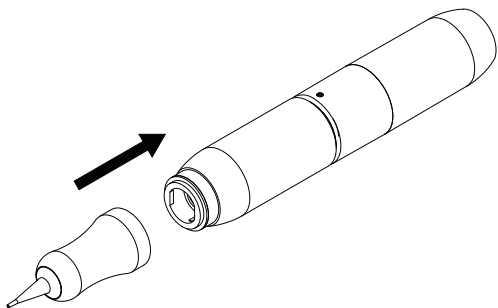


2. Rotate the battery pack clockwise 45° to lock, as illustrated.



## ASSEMBLY — USING NEEDLE CARTRIDGE

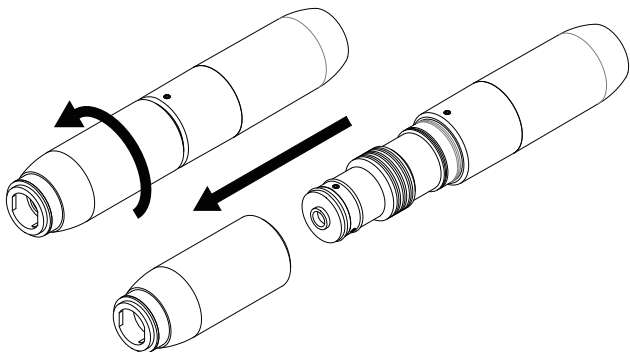
Insert needle cartridge to the opening of the grip and rotate clockwise until locked into position.



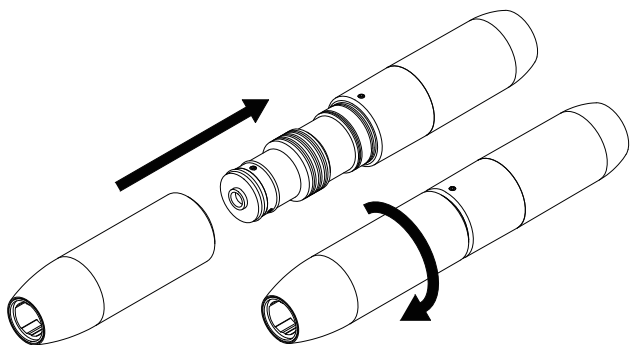


## ASSEMBLY — INSTALLING OPTIONAL TATTOO GRIP

1. Remove the grip by turning it counterclockwise.



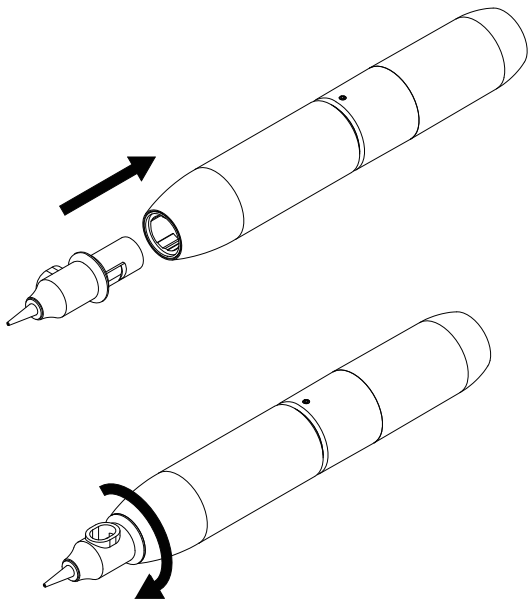
2. Confirm the three o-rings are present on the device, as illustrated. Install the optional grip by turning it clockwise.



## ASSEMBLY — USING STANDARD TATTOO CARTRIDGE WITH OPTIONAL GRIP

1. Insert tattoo cartridge\* into the opening of the grip and rotate clockwise until locked into position.

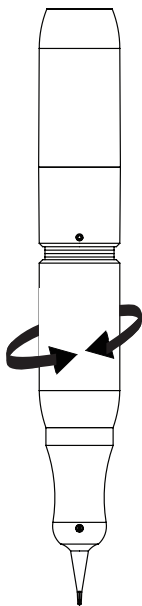
\*Use cartridges with sealed membranes to avoid contamination. Backflow fluid may cause damage to the device and void warranty.



## OPERATION — ADJUSTING NEEDLE LENGTH

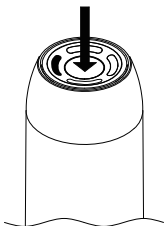
1. Power on the device with needle cartridge attached.
2. Adjust the needle length by turning the grip:

Turn clockwise to increase needle length.  
Turn counterclockwise to reduce needle length.



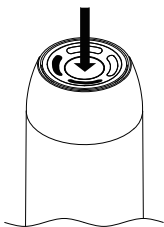
## OPERATION — POWERING ON/OFF

1. Long press the button on the battery pack for 1.5 seconds to power on/off. SMART MEMORY MODE: the device will memorize the last speed setting used and start with the same setting on the next power up.



## OPERATION — SELECTING SPEED LEVEL

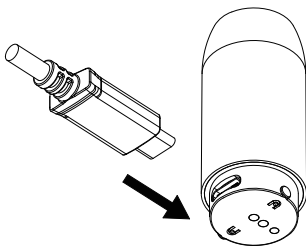
1. Short press button to adjust speed level. There are 4 speed levels as indicated by the LED. The puncture per second (PPS) of the levels are: 90/105/115/130.



## CHARGING

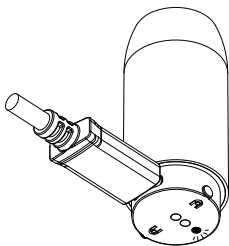
1. The LED on battery will blink when remaining battery is below 20%. Detach the battery from device to charge.

2. Plug the USB-C to USB cable into the USB-C charging port, then connect to power source to charge using the USB power adaptor.



3. The status light will indicate charging status.

RED: Charging  
GREEN: Fully charged



## TROUBLESHOOTING

ISSUE	DIAGNOSIS	FIX
BATTERY DOES NOT LIGHT UP	Insufficient power	Charge the battery and confirm the charging indicator lights up.
BATTERY DOES NOT CHARGE	Problem with power supply	Confirm the cable and adapter are working properly and plugged into a working outlet.
	Wrong cable	Use only USB to USB-C cable for charging.
MOTOR IS NOT OPERATING	No power connection	Confirm the battery pack is installed correctly in the locked position.
DEVICE IS RUNNING WEAK	Insufficient power	Charge the battery.
INCONSISTENT POWER OUTPUT	Poor power connection	Clean the electric connection between battery pack and device with dry cloth.
GRIP IS LOOSE WHEN INSTALLED	Missing O-Ring	Confirm all three O-Rings are present and replace if necessary.
TATTOO CARTRIDGE DOES NOT FIT	Fitting issue	Optional grip will only fit standard tattoo cartridges, check with your cartridge supplier for specific fitting requirement.

Your serial number can be found on the main body of the device. If you still have questions about your device after the above steps have been taken, please contact MEI-CHA with your serial number and details of where and when you bought the device.

## LIMITATION OF LIABILITY

HIRA Device is designed for micropigmentation purposes and for trained professional use only. The user is obligated to obtain knowledge to operate and adhere to the local health authority's guideline for safe medical practice. Neither MEI-CHA or its affiliates assume responsibility or liability for any injuries or damages, resulting, directly or indirectly, from the use of this product.

## WARRANTY

MEI-CHA warrants the HIRA device for a period of six (6) months starting from the original date of purchase, against defects due to faulty manufacturing or material. If you discover a defect and notify MEI-CHA during the warranty period, MEI-CHA will repair or replace the machine free of charge. This warranty will be void if the machine has undergone repeated dropping, exposure to moisture, or shows signs of misuse that compromises its functionality.

For warranty claims, please contact your MEI-CHA distributor or email support at [hello@mei-cha.com](mailto:hello@mei-cha.com).

# MEI·CHA

HELLO@MEI-CHA.COM

+ 1 949 788 0882 — LAKE FOREST, CA

@MEICHA\_OFFICIAL

#MADEWITHMEICHA