



(12) **United States Design Patent**
Jenkinson et al.

(10) **Patent No.:** **US D811,511 S**
(45) **Date of Patent:** **** Feb. 27, 2018**

- (54) **SMALL SENTINEL MOUNTING PLATE**
- (71) Applicants: **Mark E. Jenkinson**, Wilbraham, MA (US); **Fred J. Holmes**, Plainville, MA (US)
- (72) Inventors: **Mark E. Jenkinson**, Wilbraham, MA (US); **Fred J. Holmes**, Plainville, MA (US)
- (73) Assignee: **PRESENT ARMS, INC.**, Wilbraham, MA (US)
- (**) Term: **15 Years**
- (21) Appl. No.: **29/577,423**
- (22) Filed: **Sep. 13, 2016**
- (51) **LOC (11) Cl.** **22-01**
- (52) **U.S. Cl.**
USPC **D22/108**; D8/349
- (58) **Field of Classification Search**
USPC D8/349, 354; D22/108, 109, 110, 199; 89/37.04; 206/317; 248/205.3, 220.22, 248/309.4; 47/65.5; 220/23.4
CPC F41A 29/00; F41A 17/44; F41A 23/00; F41A 23/16; F41A 23/18; F41A 23/10; F41C 27/00
See application file for complete search history.

D343,440 S *	1/1994	Rubin	D22/110
5,503,276 A *	4/1996	Pierce	A47F 5/0807
				211/59.1
D397,985 S *	9/1998	Pingel	D12/217
D406,629 S *	3/1999	Banfill	D22/100
5,937,559 A *	8/1999	Jennen	F41A 23/18
				211/64
D427,888 S *	7/2000	Hannon	D8/354
6,361,035 B1 *	3/2002	Collins	B23Q 3/103
				269/152
D500,114 S *	12/2004	Oz	D22/109
D502,244 S *	2/2005	Oz	D22/109
D537,499 S *	2/2007	Swan	D22/110
D542,628 S *	5/2007	Brassard	D8/354
D561,864 S *	2/2008	Rigler	D22/110
D586,875 S *	2/2009	Swan	D22/109
D619,195 S *	7/2010	Bengtsson	D22/110
D658,486 S *	5/2012	Hecht	D8/354
D683,807 S *	6/2013	Elkaim	D22/108
8,544,202 B2 *	10/2013	Bastian, Jr.	F41A 23/02
				42/94

(Continued)

Primary Examiner — Mark Goodwin
(74) *Attorney, Agent, or Firm* — Anten, Tormey, Petrin; Michael Petrin

(57) **CLAIM**

We claim the ornamental design for a small sentinel mounting plate, as shown and described.

DESCRIPTION

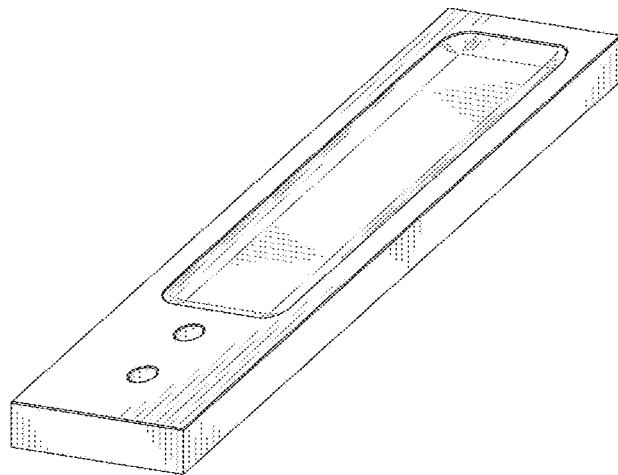
FIG. 1 is a top perspective view of a small sentinel mounting plate showing our new design;
FIG. 2 is a right side view thereof;
FIG. 3 is a left side view thereof;
FIG. 4 is a top view thereof;
FIG. 5 is a bottom view thereof;
FIG. 6 is a front view thereof; and,
FIG. 7 is a back view thereof.

1 Claim, 4 Drawing Sheets

(56) **References Cited**

U.S. PATENT DOCUMENTS

2,877,689 A *	3/1959	Pribis	F41A 23/00
				206/317
3,880,389 A *	4/1975	Burris	F41G 11/006
				248/205.1
D257,687 S *	12/1980	Bechtel	89/37.04
4,562,658 A *	1/1986	Govett	F41G 11/001
				42/125
4,824,086 A *	4/1989	Rickling	F41A 23/00
				269/156
D316,954 S *	5/1991	Glaser	D8/349



(56)

References Cited

U.S. PATENT DOCUMENTS

D702,799 S * 4/2014 Coviello D22/108
8,733,227 B1 * 5/2014 Ridgeway F41A 23/18
248/166
D732,631 S * 6/2015 Cheng D22/109
9,194,653 B1 * 11/2015 Jenkinson F41C 27/00
9,228,800 B2 * 1/2016 Holmes F41A 23/18
D750,154 S * 2/2016 Watson D16/242
D751,662 S * 3/2016 Holmes D22/108
D767,379 S * 9/2016 Knight D8/372
D770,803 S * 11/2016 Parsons D6/562
D771,214 S * 11/2016 Parsons D22/108
D774,873 S * 12/2016 Aller D8/349
D777,841 S * 1/2017 Kott D20/43
D788,871 S * 6/2017 Storch D22/108
D802,697 S * 11/2017 Dueck D22/108
2011/0173868 A1 * 7/2011 Wilson F41A 23/18
42/95
2012/0255212 A1 * 10/2012 Werner F41A 23/18
42/90
2013/0318850 A1 * 12/2013 Holmes F41C 27/00
42/90
2015/0192384 A1 * 7/2015 Ballard F41A 9/70
42/49.01
2015/0276339 A1 * 10/2015 Shreve F41A 9/71
42/50

* cited by examiner

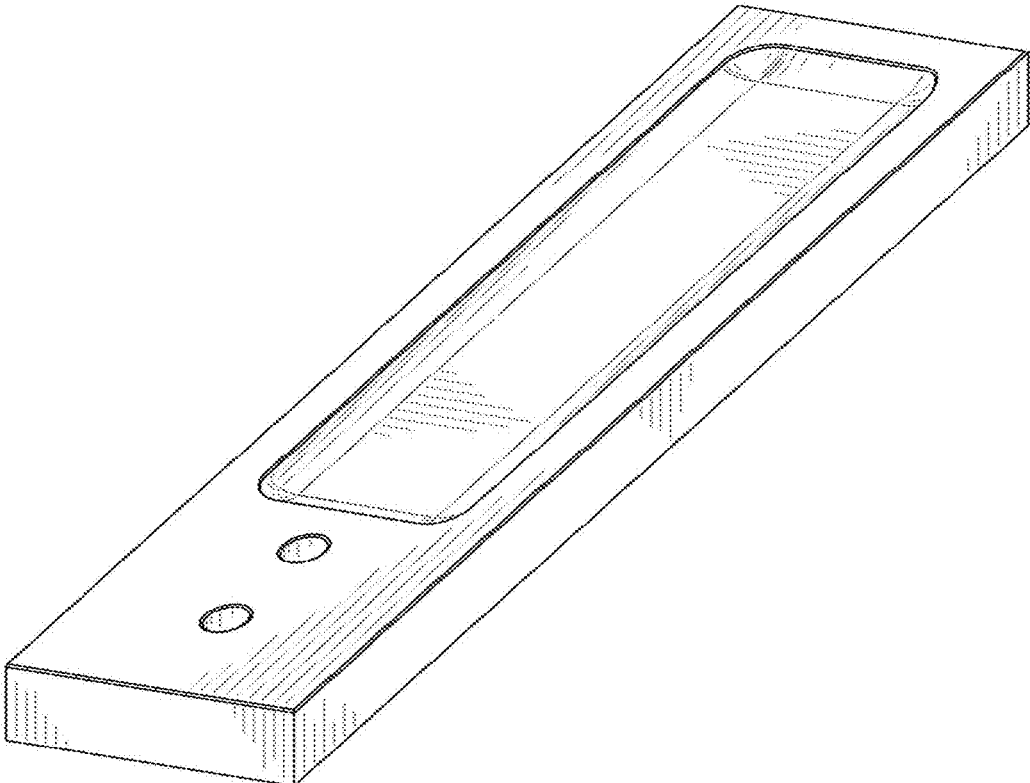


FIG. 1

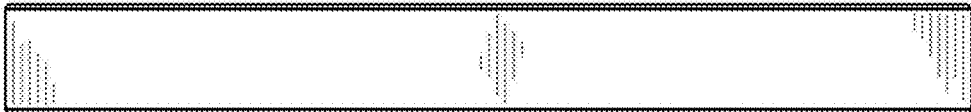


FIG. 2

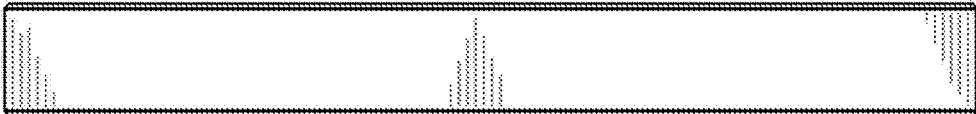


FIG. 3

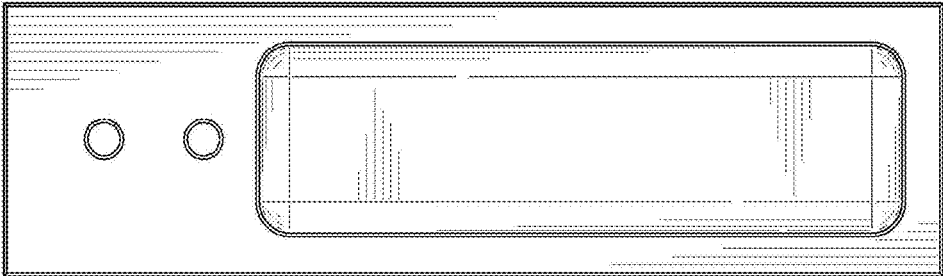


FIG. 4

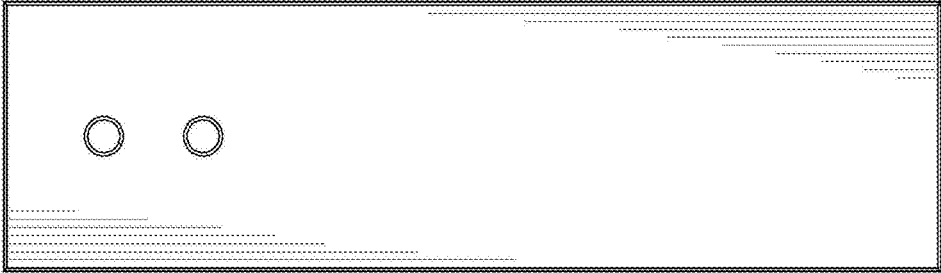


FIG. 5



FIG. 6



FIG. 7