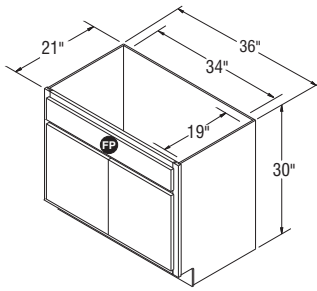


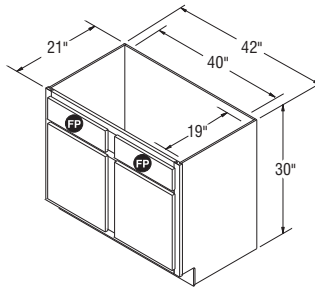
## Vanity Console Bases, 30" High, 21" Deep

### NOTES ✓

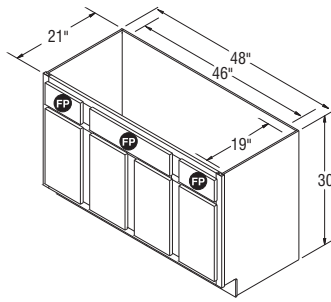
- ▶ FP = False Panel.
- ▶ It may be necessary to modify the corner braces/stretcher rails with some sink applications.
- ▶ Vanity interiors are not drilled for shelf clip holes, nor do they include a shelf.



VCB36B



VCB42

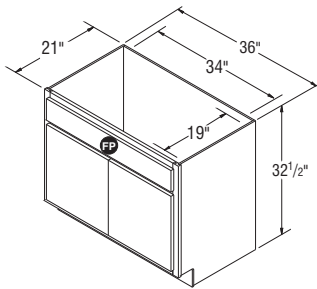


VCB48

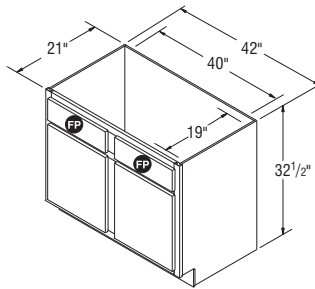
## Vanity Console Bases, 32 1/2" High, 21" Deep *New*

### NOTES ✓

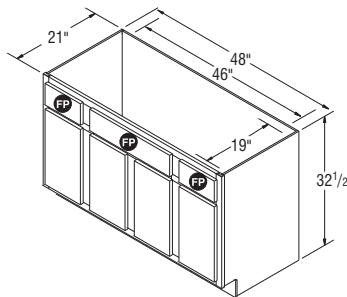
- ▶ FP = False Panel.
- ▶ It may be necessary to modify the corner braces/stretcher rails with some sink applications.
- ▶ Vanity interiors are not drilled for shelf clip holes, nor do they include a shelf.



VCB3632.5B



VCB4232.5

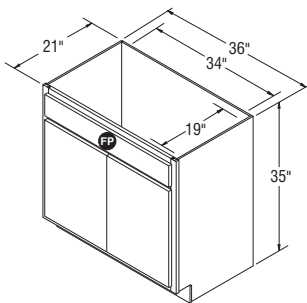


VCB4832.5

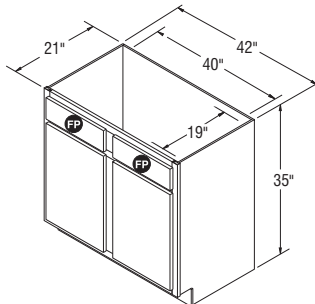
## Vanity Console Bases, 35" High, 21" Deep

### NOTES ✓

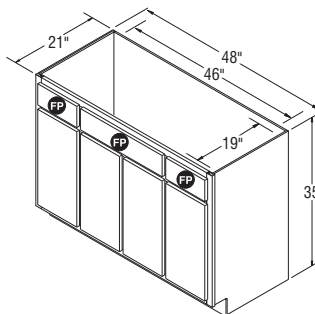
- ▶ FP = False Panel.
- ▶ It may be necessary to modify the corner braces/stretcher rails with some sink applications.
- ▶ Vanity interiors are not drilled for shelf clip holes, nor do they include a shelf.



VCB3635B



VCB4235

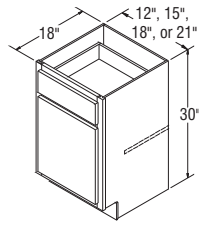


VCB4835

**NOTES** ✓

- ▶ Includes one adjustable 3/4" thick half-depth shelf.
- ▶ 18" deep Vanities available in Standard construction only.

**Vanity Bases, 30" High, 18" Deep**

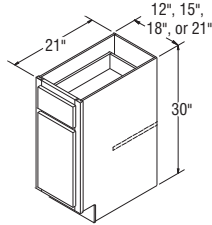


- VB1218**
- VB1518**
- VB1818**
- VB2118**

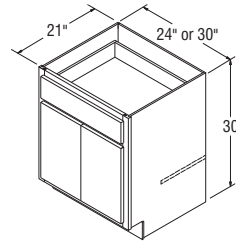
**NOTES** ✓

- ▶ Includes one adjustable 3/4" thick half-depth shelf.
- ▶ VB24 has butt doors on all door styles.

**Vanity Bases, 30" High, 21" Deep**



- VB12**
- VB15**
- VB18**
- VB21**

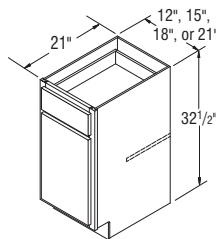


- VB24**
- VB30B**

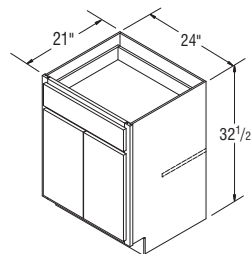
**NOTES** ✓

- ▶ Includes one adjustable 3/4" thick half-depth shelf.
- ▶ VB2432.5 has butt doors on all door styles.

**Vanity Bases, 32 1/2" High, 21" Deep *New***



- VB1232.5**
- VB1532.5**
- VB1832.5**
- VB2132.5**

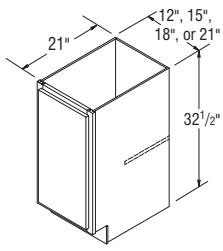


- VB2432.5**

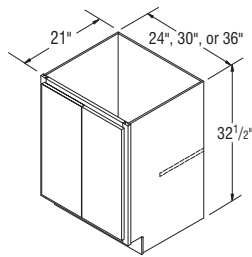
## Vanity Bases Full Height Doors, 32 1/2" High, 21" Deep *New*

### NOTES ✓

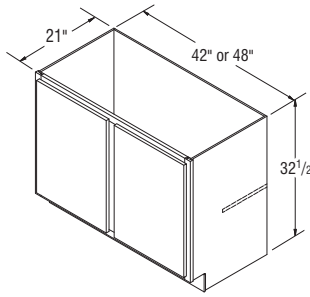
- ▶ Includes one adjustable 3/4" thick half-depth shelf.
- ▶ VB2432.5FH has butt doors on all door styles.



**VB1232.5FH**  
**VB1532.5FH**  
**VB1832.5FH**  
**VB2132.5FH**



**VB2432.5FH**  
**VB3032.5FHB**  
**VB3332.5FHB**  
**VB3632.5FHB**

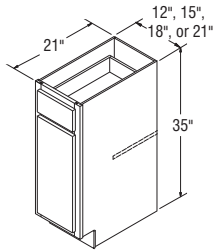


**VB4232.5FH**  
**VB4832.5FH**

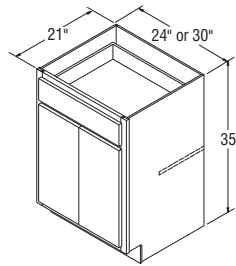
## Vanity Bases, 35" High, 21" Deep

### NOTES ✓

- ▶ Includes one adjustable 3/4" thick half-depth shelf.
- ▶ VB2435 has butt doors on all door styles.



**VB1235**  
**VB1535**  
**VB1835**  
**VB2135**

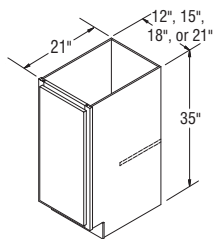


**VB2435**  
**VB3035B**

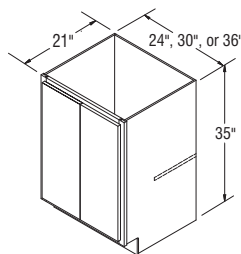
## Vanity Bases Full Height Doors, 35" High, 21" Deep *New*

### NOTES ✓

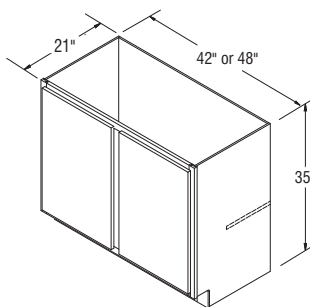
- ▶ Includes one adjustable 3/4" thick half-depth shelf.
- ▶ VB2435FH has butt doors on all door styles.



**VB1235FH**  
**VB1535FH**  
**VB1835FH**  
**VB2135FH**



**VB2435FH**  
**VB3035FHB**  
**VB3635FHB**



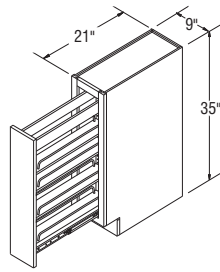
**VB4235FH**  
**VB4835FH**

**NOTES** ✓

- ▶ Features a wood Pull-Out unit with adjustable shelves, chrome rail sides, and Full Extension guides.
- ▶ Smart Stop™ is not available in Select and APC Construction.



**Vanity Base Pull-Out, 35" High, 9" Wide, 21" Deep**

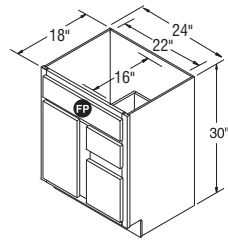


**VBP0935**

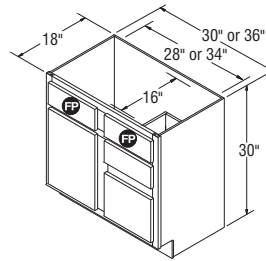
**NOTES** ✓

- ▶ FP = False Panel.
- ▶ It may be necessary to modify the corner braces/stretcher rails with some sink applications.
- ▶ 18" deep Vanities available in Standard construction only.
- ▶ Raised panel styles - drawer fronts will convert to raised panel; Full Overlay - 10 1/4" or higher Partial Overlay - 9 7/8" or higher
- ▶ Vanity interiors are not drilled for shelf clip holes, nor do they include a shelf.

**Vanity Door and Drawer Bases, 30" High, 18" Deep**



**VDD2418\***  
**VDD3018\***  
**VDD3618\***

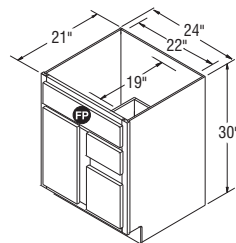


\*Specify L or R for which side to locate door.

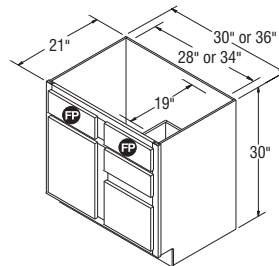
**NOTES** ✓

- ▶ FP = False Panel.
- ▶ It may be necessary to modify the corner braces/stretcher rails with some sink applications.
- ▶ Raised panel styles - drawer fronts will convert to raised panel; Full Overlay - 10 1/4" or higher Partial Overlay - 9 7/8" or higher
- ▶ Vanity interiors are not drilled for shelf clip holes, nor do they include a shelf.

**Vanity Door and Drawer Bases, 30" High, 21" Deep**



**VDD24\***

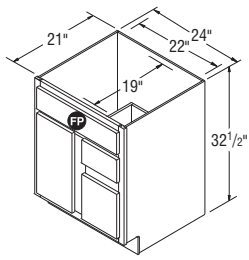


**VDD30\***  
**VDD36\***

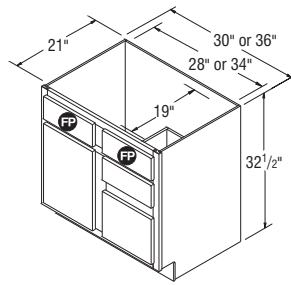
\*Specify L or R for which side to locate door.

## Vanity Door and Drawer Bases, 32 1/2" High, 21" Deep *New*

### NOTES ✓



**VDD2432.5**



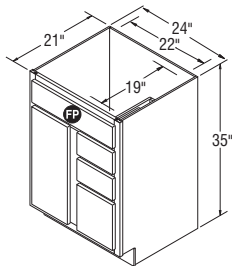
**VDD3032.5**  
**VDD3632.5**

\*Specify L or R for which side to locate door.

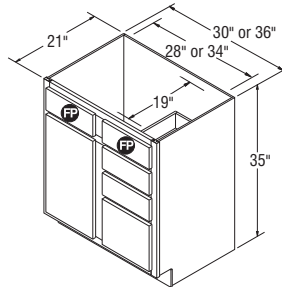
- ▶ FP = False Panel.
- ▶ It may be necessary to modify the corner braces/stretcher rails with some sink applications.
- ▶ Raised panel styles - drawer fronts will convert to raised panel;  
Full Overlay - 10 1/4" or higher  
Partial Overlay - 9 7/8" or higher
- ▶ Vanity interiors are not drilled for shelf clip holes, nor do they include a shelf.

## Vanity Door and Drawer Bases, 35" High, 21" Deep

### NOTES ✓



**VDD2435\***



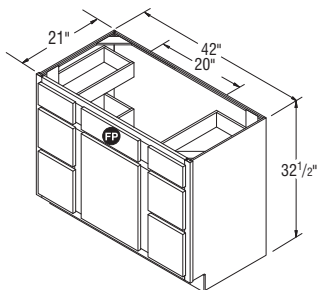
**VDD3035\***  
**VDD3635\***

\*Specify L or R for which side to locate door.

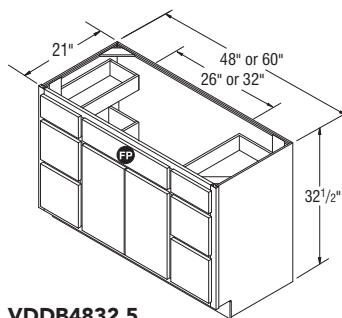
- ▶ FP = False Panel.
- ▶ It may be necessary to modify the corner braces/stretcher rails with some sink applications.
- ▶ Raised panel styles - drawer fronts will convert to raised panel;  
Full Overlay - 10 1/4" or higher  
Partial Overlay - 9 7/8" or higher
- ▶ Vanity interiors are not drilled for shelf clip holes, nor do they include a shelf.

## Vanity Door and Drawer Bases, 32 1/2" High, 21" Deep *New*

### NOTES ✓



**VDDB4232.5**



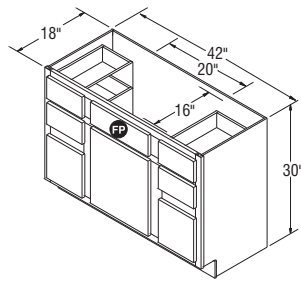
**VDDB4832.5**  
**VDDB6032.5**

- ▶ FP = False Panel.
- ▶ It may be necessary to modify the corner braces/stretcher rails with some sink applications.
- ▶ Raised panel styles - drawer fronts will convert to raised panel;  
Full Overlay - 10 1/4" or higher  
Partial Overlay - 9 7/8" or higher
- ▶ Vanity interiors are not drilled for shelf clip holes, nor do they include a shelf.
- ▶ VDDB48 and VDDB60 have butt doors on all styles.

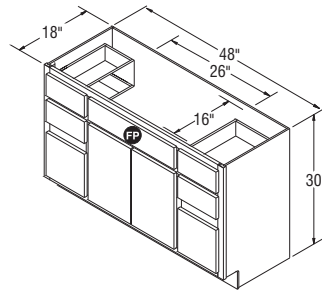
**NOTES** ✓

- ▶ FP = False Panel.
- ▶ 18" deep Vanities available in Standard construction only.
- ▶ VDDB4818 has butt doors on all door styles.
- ▶ Raised panel styles - drawer fronts will convert to raised panel;  
Full Overlay - 10<sup>1</sup>/<sub>4</sub>" or higher  
Partial Overlay - 9<sup>7</sup>/<sub>8</sub>" or higher
- ▶ Vanity interiors are not drilled for shelf clip holes, nor do they include a shelf.

**Vanity Double Drawer Bases, 30" High, 18" Deep**



**VDDB4218**

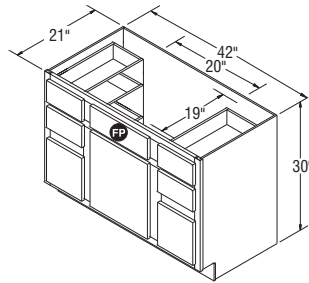


**VDDB4818**

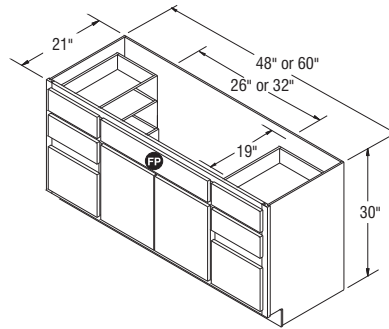
**NOTES** ✓

- ▶ FP = False Panel.
- ▶ VDDB48 and VDDB60 have butt doors on all door styles.
- ▶ Raised panel styles - drawer fronts will convert to raised panel;  
Full Overlay - 10<sup>1</sup>/<sub>4</sub>" or higher  
Partial Overlay - 9<sup>7</sup>/<sub>8</sub>" or higher
- ▶ Vanity interiors are not drilled for shelf clip holes, nor do they include a shelf.

**Vanity Double Drawer Bases, 30" High, 21" Deep**



**VDDB42**

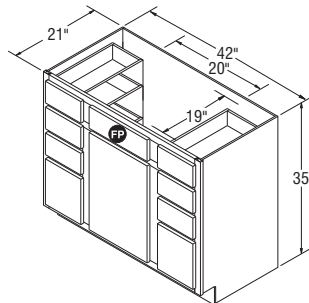


**VDDB48  
VDDB60**

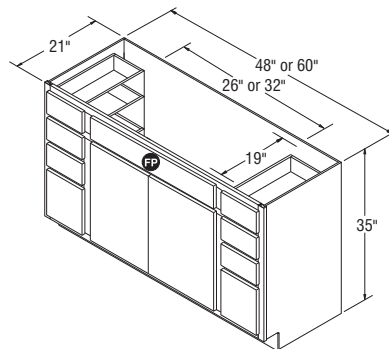
**NOTES** ✓

- ▶ FP = False Panel.
- ▶ VDDB4835 and VDDB6035 have butt doors on all door styles.
- ▶ Raised panel styles - drawer fronts will convert to raised panel;  
Full Overlay - 10<sup>1</sup>/<sub>4</sub>" or higher  
Partial Overlay - 9<sup>7</sup>/<sub>8</sub>" or higher
- ▶ Vanity interiors are not drilled for shelf clip holes, nor do they include a shelf.

**Vanity Double Drawer Bases, 35" High, 21" Deep**

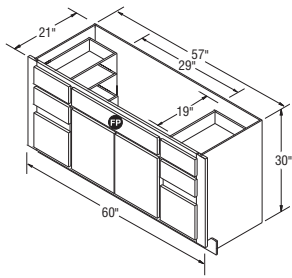


**VDDB4235**



**VDDB4835  
VDDB6035**

## Trimable Vanity Double Drawer Base, 30" High, 60" Wide, 21" Deep



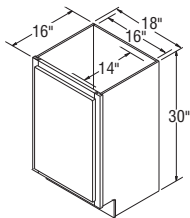
**VDDBT60 \***

\*Not available in full overlay door styles.

### NOTES ✓

- ▶ FP = False Panel.
- ▶ Cabinet is 57" wide.
- ▶ Front frame is 60" wide.
- ▶ Front end rails are each 3" and can be trimmed to 1½".
- ▶ VDDBT60 has butt doors on all door styles.
- ▶ Raised panel styles - drawer fronts will convert to raised panel;  
Full Overlay - 10¼" or higher  
Partial Overlay - 9⅞" or higher
- ▶ Vanity interiors are not drilled for shelf clip holes, nor do they include a shelf.

## Vanity Sink Base, 30" High, 18" Wide, 16" Deep

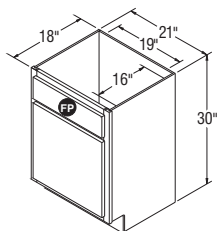


**VSB1816**

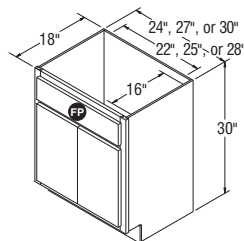
### NOTES ✓

- ▶ It may be necessary to modify the corner braces/stretcher rails with some sink applications.
- ▶ 16" wide and 14" deep space for sink opening.
- ▶ One full height door.
- ▶ 16" deep Vanities available in Standard Construction only.
- ▶ Vanity interiors are not drilled for shelf clip holes, nor do they include a shelf.

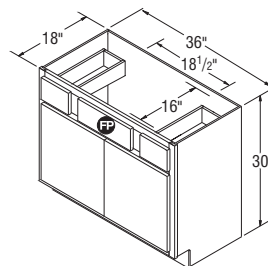
## Vanity Sink Bases, 30" High, 18" Deep



**VSB2118**



**VSB2418  
VSB2718B  
VSB3018B**



**VSB3618B**

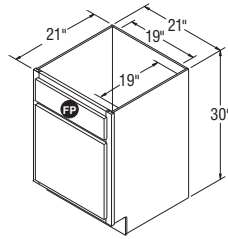
### NOTES ✓

- ▶ FP = False Panel.
- ▶ It may be necessary to modify the corner braces/stretcher rails with some sink applications.
- ▶ VSB2418 has butt doors on all door styles.
- ▶ 18" deep Vanities available in Standard Construction only.
- ▶ Vanity interiors are not drilled for shelf clip holes, nor do they include a shelf.

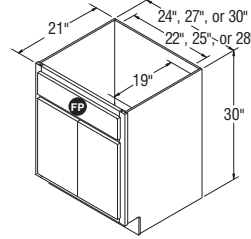
NOTES ✓

- ▶ FP = False Panel.
- ▶ It may be necessary to modify the corner braces/stretcher rails with some sink applications.
- ▶ VSB24 has butt doors on all door styles.
- ▶ Vanity interiors are not drilled for shelf clip holes, nor do they include a shelf.

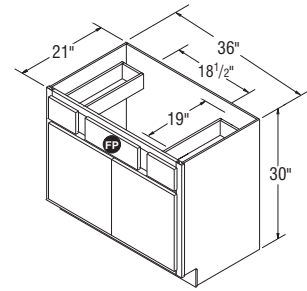
Vanity Sink Bases, 30" High, 21" Deep



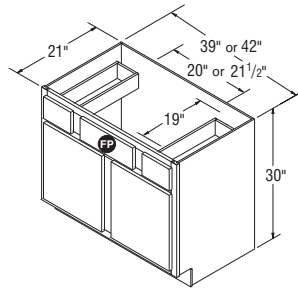
VSB21



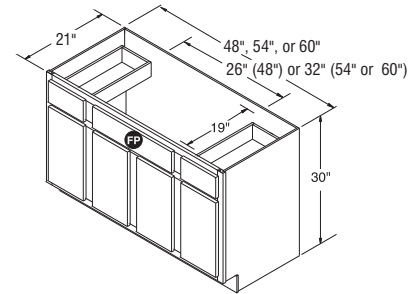
VSB24  
VSB27B  
VSB30B  
VSB33B



VSB36B



VSB39  
VSB42

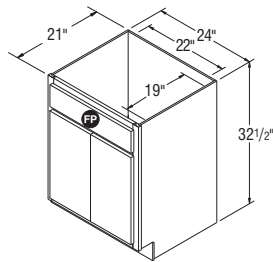


VSB48  
VSB54  
VSB60

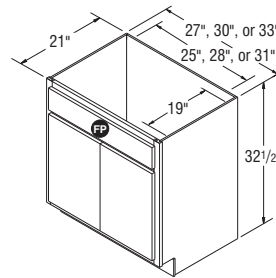
NOTES ✓

- ▶ FP = False Panel.
- ▶ Recommended for use in vanity designs for ADA compliance with a maximum installed height of 34".
- ▶ It may be necessary to modify the corner braces/stretcher rails with some sink applications.
- ▶ VSB2432.5 has butt doors on all door styles.
- ▶ Vanity interiors are not drilled for shelf clip holes, nor do they include a shelf.

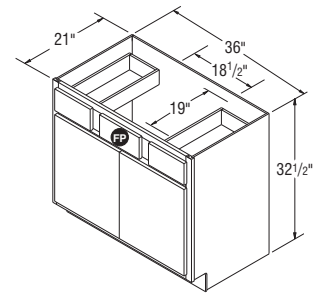
Vanity Sink Bases, 32 1/2" High, 21" Deep



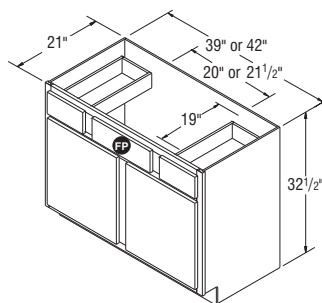
VSB2432.5



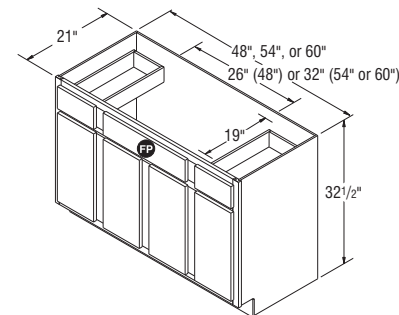
VSB2732.5B  
VSB3032.5B  
VSB3332.5B



VSB3632.5B



VSB3932.5  
VSB4232.5



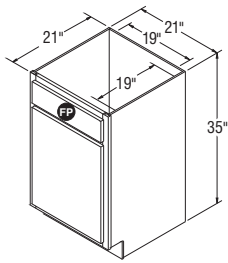
VSB4832.5  
VSB5432.5  
VSB6032.5



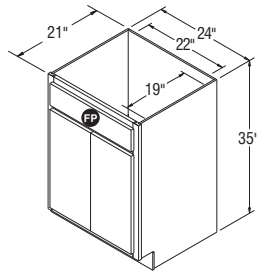
## Vanity Sink Bases, 35" High, 21" Deep

### NOTES ✓

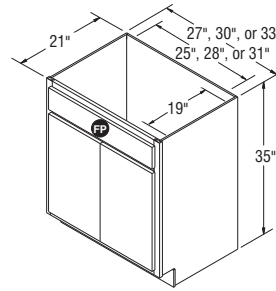
- ▶ FP = False Panel.
- ▶ It may be necessary to modify the corner braces/stretcher rails with some sink applications.
- ▶ VSB2435 has butt doors on all door styles.
- ▶ Vanity interiors are not drilled for shelf clip holes, nor do they include a shelf.



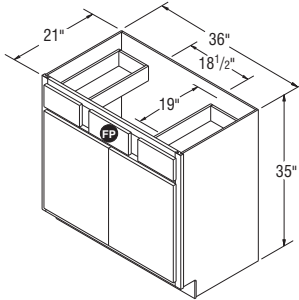
**VSB2135**



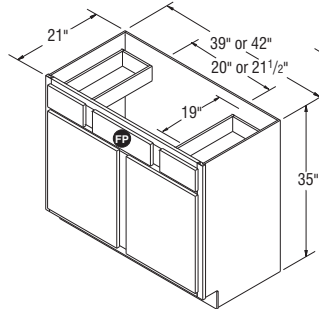
**VSB2435**



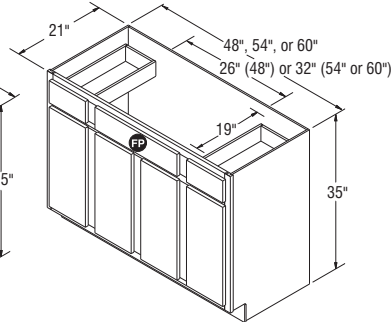
**VSB2735B**  
**VSB3035B**  
**VSB3335B**



**VSB3635B**



**VSB3935**  
**VSB4235**

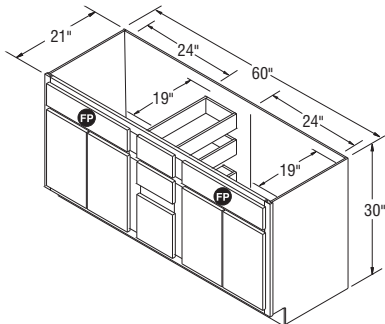


**VSB4835**  
**VSB5435**  
**VSB6035**

## Vanity Sink Drawer Base, 30" High, 60" Wide, 21" Deep

### NOTES ✓

- ▶ FP = False Panel.
- ▶ Four doors (two butt each end), three center drawers, 24" wide (each side) and 19" deep space for sink opening (each side).
- ▶ It may be necessary to modify the corner braces/stretcher rails with some sink applications.
- ▶ Raised panel styles - drawer fronts will convert to raised panel;  
Full Overlay - 10 1/4" or higher  
Partial Overlay - 9 7/8" or higher
- ▶ Vanity interiors are not drilled for shelf clip holes, nor do they include a shelf.

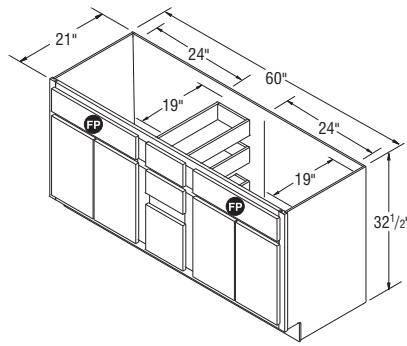


**VSD60**

**NOTES** ✓

- ▶ FP = False Panel.
- ▶ Four doors (two butt each end), three center drawers, two false drawer fronts, 24" wide (each side) and 19" deep space for sink opening (each side).
- ▶ It may be necessary to modify the corner braces/stretchers rails with some sink applications.
- ▶ Raised panel styles - drawer fronts will convert to raised panel;  
Full Overlay - 10¼" or higher  
Partial Overlay - 9⅞" or higher
- ▶ Vanity interiors are not drilled for shelf clip holes, nor do they include a shelf.

**Vanity Sink Drawer Base, 32 1/2" High, 60" Wide, 21" Deep *New***

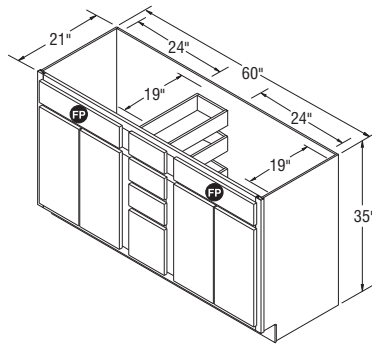


**VSD6032.5**

**NOTES** ✓

- ▶ FP = False Panel.
- ▶ Four doors (two butt each end), four center drawers, two false drawer fronts, 24" wide (each side) and 19" deep space for sink opening (each side).
- ▶ It may be necessary to modify the corner braces/stretchers rails with some sink applications.
- ▶ Raised panel styles - drawer fronts will convert to raised panel;  
Full Overlay - 10¼" or higher  
Partial Overlay - 9⅞" or higher
- ▶ Vanity interiors are not drilled for shelf clip holes, nor do they include a shelf.

**Vanity Sink Drawer Base, 35" High, 60" Wide, 21" Deep**

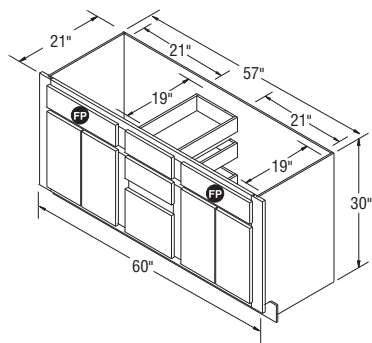


**VSD6035**

**NOTES** ✓

- ▶ FP = False Panel.
- ▶ Four doors (two butt each end), three center drawers, two false drawer fronts, 18" wide (each side) and 19" deep space for sink opening (each side).
- ▶ Cabinet is 57" wide.
- ▶ Front frame is 60" wide.
- ▶ Front end rails are each 3" and can be trimmed 1½" each.
- ▶ Raised panel styles - drawer fronts will convert to raised panel;  
Full Overlay - 10¼" or higher  
Partial Overlay - 9⅞" or higher
- ▶ Vanity interiors are not drilled for shelf clip holes, nor do they include a shelf.

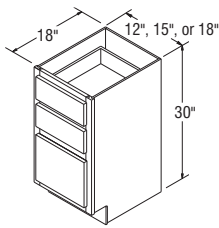
**Trimmable Vanity Sink Drawer Base, 30" High, 60" Wide, 21" Deep**



**VSD60\***

\*Not available in full overlay door styles

## Vanity Three Drawer Bases, 30" High, 18" Deep

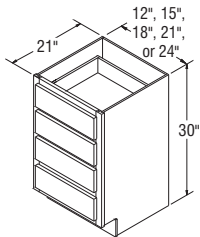


**VDB1218**  
**VDB1518**  
**VDB1818**

### NOTES ✓

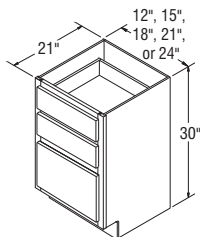
- ▶ 18" deep Vanities available in Standard construction only, with 5-Piece Drawer front option.
- ▶ Raised panel styles - drawer fronts will convert to raised panel;  
 Full Overlay - 10<sup>1</sup>/<sub>4</sub>" or higher  
 Partial Overlay - 9<sup>7</sup>/<sub>8</sub>" or higher
- ▶ The bottom drawer box is 6<sup>3</sup>/<sub>8</sub>" high.

## Vanity Four Drawer Bases, 30" High, 21" Deep



**VDB12-4**  
**VDB15-4**  
**VDB18-4**  
**VDB21-4**  
**VDB24-4**

## Vanity Three Drawer Bases, 30" High, 21" Deep



**VDB12**  
**VDB15**  
**VDB18**  
**VDB21**  
**VDB24**

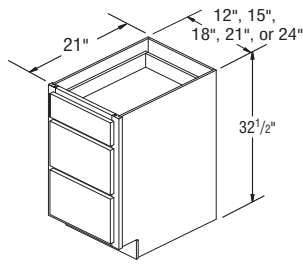
### NOTES ✓

- ▶ The bottom drawer will be 6<sup>3</sup>/<sub>8</sub>" high on Standard and 7<sup>3</sup>/<sub>4</sub>" high for Select and APC.
- ▶ Raised panel styles - drawer fronts will convert to raised panel;  
 Full Overlay - 10<sup>1</sup>/<sub>4</sub>" or higher  
 Partial Overlay - 9<sup>7</sup>/<sub>8</sub>" or higher

NOTES ✓

- ▶ The bottom two drawers will be 6<sup>3</sup>/<sub>8</sub>" high on Standard and 7<sup>3</sup>/<sub>4</sub>" high for Select and APC.
- ▶ Raised panel styles - drawer fronts will convert to raised panel;  
Full Overlay - 10<sup>1</sup>/<sub>4</sub>" or higher  
Partial Overlay - 9<sup>7</sup>/<sub>8</sub>" or higher

Vanity Three Drawer Bases, 32 1/2" High, 21" Deep *New*

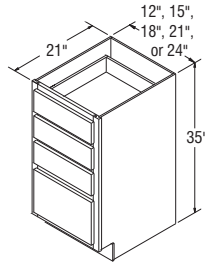


- VDB1232.5**
- VDB1532.5**
- VDB1832.5**
- VDB2132.5**
- VDB2432.5**

NOTES ✓

- ▶ The bottom drawer will be 6<sup>3</sup>/<sub>8</sub>" high on Standard and 7<sup>3</sup>/<sub>4</sub>" high for Select and APC.
- ▶ Raised panel styles - drawer fronts will convert to raised panel;  
Full Overlay - 10<sup>1</sup>/<sub>4</sub>" or higher  
Partial Overlay - 9<sup>7</sup>/<sub>8</sub>" or higher

Vanity Four Drawer Bases, 35" High, 21" Deep

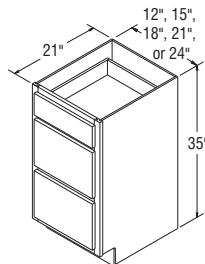


- VDB1235-4**
- VDB1535-4**
- VDB1835-4**
- VDB2135-4**
- VDB2435-4**

NOTES ✓

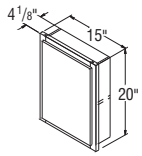
- ▶ The bottom two drawers will be 6<sup>3</sup>/<sub>8</sub>" high for Standard and 7<sup>3</sup>/<sub>4</sub>" high for Select and APC.
- ▶ Raised panel styles - drawer fronts will convert to raised panel;  
Full Overlay - 10<sup>1</sup>/<sub>4</sub>" or higher  
Partial Overlay - 9<sup>7</sup>/<sub>8</sub>" or higher

Vanity Three Drawer Bases, 35" High, 21" Deep



- VDB1235**
- VDB1535**
- VDB1835**
- VDB2135**
- VDB2435**

## Vanity Wall Cabinet, 20" High, 15" Wide, 4 1/8" Deep



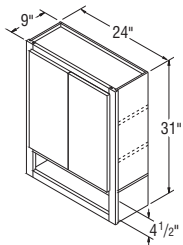
**VWC1520\***

\*Specify L or R on all Arch styles.  
Doors will be Arch when ordering these styles.

### NOTES ✓

- ▶ Must be recess mounted; exterior not finished.
- ▶ Cut out dimensions: 13 7/8" W x 18 5/8" H x 3 3/8" D
- ▶ Only available in Standard Construction.
- ▶ Includes fixed shelf.

## Vanity Tank Topper, 31" High, 24" Wide, 9" Deep *New*

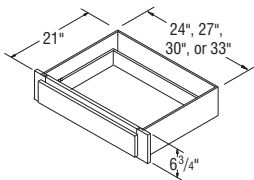


**VTT24B**

### NOTES ✓

- ▶ Matching Aristex™ interior.
- ▶ Two butt doors, open shelf.
- ▶ Two adjustable 3/4" thick shelves.

## Vanity Drawers Trimmable, 21" Deep (Trimmable 3") *New*



**VDT27B**  
**VDT30B**  
**VDT33B**  
**VDT36B**

### NOTES ✓

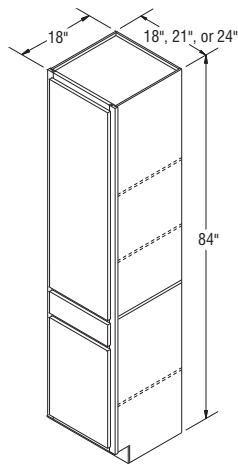
- ▶ Cabinets may not feature matching exterior laminate, so installation between two adjacent cabinets, walls, and/or panels is recommended.
- ▶ Face frame trimmable 3" overall, 1 1/2" on each side.
- ▶ Not available in All Plywood Construction.
- ▶ Smart Stop™ drawer guides not available.

NOTES ✓

- ▶ Two doors and one drawer.
- ▶ Top door will be an Arch in applicable styles.
- ▶ Upper doors cannot be cut for glass.
- ▶ Includes 3/4" thick adjustable shelves, two in top section, one in bottom section and one fixed shelf.
- ▶ Drawer front height aligns with 35" Vanity/Base cabinet drawer fronts.
- ▶ Large openings on miter door styles will be two doors doweled together.
- ▶ 18" deep Vanities available in Standard construction only.
- ▶ TKIT not available.



Linen Closets with Drawer, 84" High, 18" Deep



LCD1818\*  
**LCD2118\* New**  
 LCD2418\*

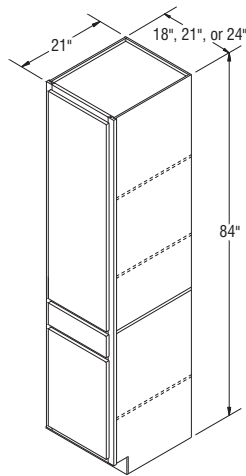
\*Specify L or R on all styles.

NOTES ✓

- ▶ Two doors and one drawer.
- ▶ Top door will be an Arch in applicable styles.
- ▶ Includes 3/4" thick adjustable shelves, two in top section, one in bottom section and one fixed shelf.
- ▶ Drawer front height aligns with 35" Vanity/Base cabinet drawer fronts.
- ▶ Large openings on miter door styles will be two doors doweled together.



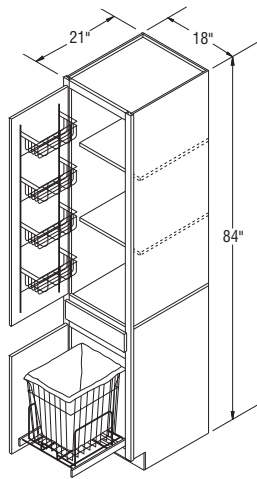
Linen Closets with Drawer, 84" High, 21" Deep



LCD18\*  
**LCD21\* New**  
 LCD24\*

\*Specify L or R on all styles.

## Linen Closets SuperCabinet™ with Removable Hamper, 84" High, 21" Deep



**LCD18SC\***

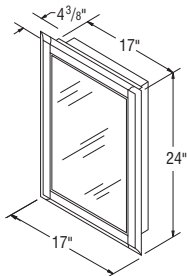
\*Specify L or R on all styles.

### NOTES ✓

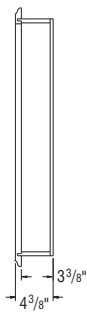
- ▶ Two doors and one drawer.
- ▶ Top door will be an Arch in applicable styles.
- ▶ Includes two  $\frac{3}{4}$ " thick adjustable shelves and 5" deep chrome door rack.
- ▶ Drawer front height aligns with standard 35" Base cabinet drawer front.
- ▶ Large openings on miter door styles will be two doors doweled together.
- ▶ Includes Full Extension non Smart Stop™ removable chrome Pull-Out Hamper with removable cloth liner.



## Vanity Medicine Cabinet, 24" High, 17" Wide, 4 3/8" Deep



**VMC1724**



SIDE VIEW

### NOTES ✓

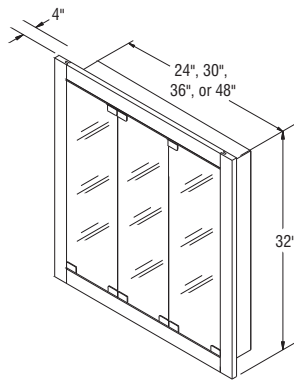
- ▶ Interior of cabinet is white for all styles.
- ▶ One mirrored door with solid wood frame.
- ▶ Can be surface or recess mounted (recess mount recommended for all finishes other than white).
- ▶ Box made of white formed plastic
- ▶ Includes two adjustable shelves and one adjustable toothbrush shelf (plastic).
- ▶ Cabinet is reversible.
- ▶ Cut out for recess: 14 1/4" W x 2 1/4" D x 21" H.
- ▶ Not available in Cherry.
- ▶ Soft Close Hinges are not available in Select and APC Construction.



Vanity Tri-View Medicine Cabinet, 32" High, 4" Deep

NOTES ✓

- ▶ Three mirrored doors.
- ▶ Solid wood face frame.
- ▶ Can be surface or recess mounted.
- ▶ Chrome touch latches and hinges are used on doors.
- ▶ Box exterior matches face frame.
- ▶ Three fixed shelves.
- ▶ Cut out for recess:
  - VTMC2432 – 21<sup>5</sup>/<sub>8</sub>" W x 3<sup>15</sup>/<sub>16</sub>" D x 29<sup>3</sup>/<sub>8</sub>" H.
  - VTMC3032 – 27<sup>5</sup>/<sub>8</sub>" W x 3<sup>15</sup>/<sub>16</sub>" D x 29<sup>3</sup>/<sub>8</sub>" H.
  - VTMC3632 – 33<sup>5</sup>/<sub>8</sub>" W x 3<sup>15</sup>/<sub>16</sub>" D x 29<sup>3</sup>/<sub>8</sub>" H.
  - VTMC4832 – 45<sup>5</sup>/<sub>8</sub>" W x 3<sup>15</sup>/<sub>16</sub>" D x 29<sup>3</sup>/<sub>8</sub>" H.
- ▶ Soft Close Hinges are not available in Select and APC Construction.



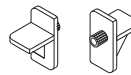
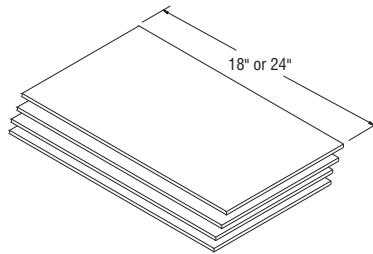
- VTMC2432**
- VTMC3032**
- VTMC3632**
- VTMC4832**



NOTES ✓

- ▶ Four shelves with clips.
- ▶ Shelves can be trimmed in the field to accommodate 18" deep linen closets.
- ▶ Available in natural maple laminate only.
- ▶ Order under style #010.
- ▶ Dimensions:
  - LKS18 – 1/2" T x 16 1/2" W x 20 3/16" D
  - LKS24 – 1/2" T x 22 1/2" W x 20 3/16" D

Linen Closet Shelf Kits



- LKS18C**
- LKS24C**

