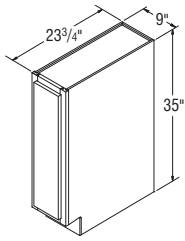


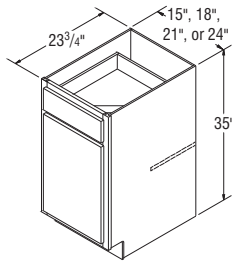
## Base Cabinets, 35" High, 23 3/4" Deep

### NOTES ✓

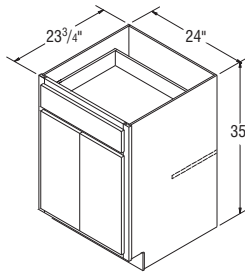
- ▶ B09 is a Full Height door and does not include an adjustable shelf or vertical partition.
- ▶ Includes one adjustable 3/4" thick half-depth shelf.



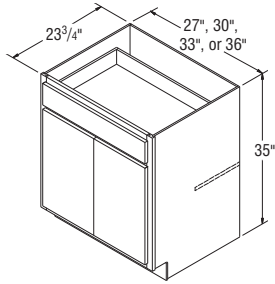
**B09**



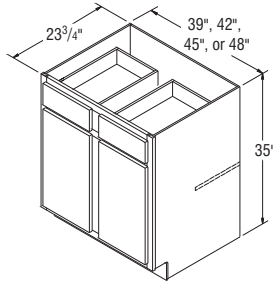
**B12**  
**B18**  
**B18**



**B24DD**



**B27B**  
**B30B**  
**B33B**  
**B36B**

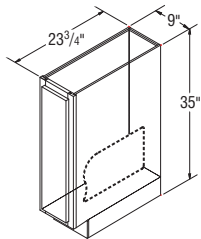


**B39**  
**B42**  
**B45**  
**B48**

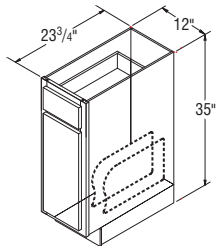
## Base Cabinet Tray Divider, 35" Deep, 23 3/4" Deep

### NOTES ✓

- ▶ B09TD is a Full Height door and includes an installed chrome tray divider.
- ▶ B12TD includes a standard base drawer with two installed chrome tray dividers.
- ▶ Tray Divider is also available as an accessory for field installation. See page 173.



**B09TD**



**B12TD**

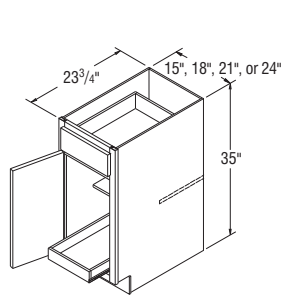


**NOTES** ✓

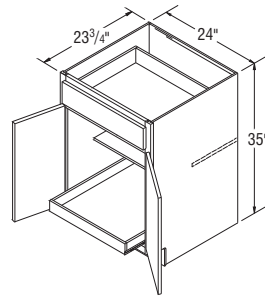
- ▶ All Roll Tray cabinets include one half-depth adjustable 3/4" thick shelf.
- ▶ Roll Trays feature 1/2" thick solid wood front and furniture board sides and back.
- ▶ Additional Roll Trays on page 172 may be ordered separately (TKIT).
- ▶ Upgrade charges do not include Roll Trays.
- ▶ Roll Tray Bumper Pads will be included for field installation.
- ▶ Smart Stop™ drawer guides are not available on Roll Trays in Select and APC Construction.



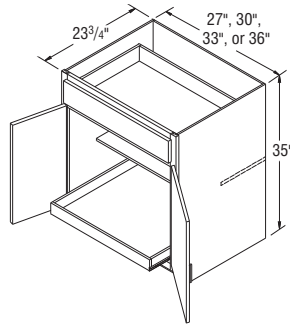
**Base Cabinets with Roll Tray, 35" High, 23 3/4" Deep**



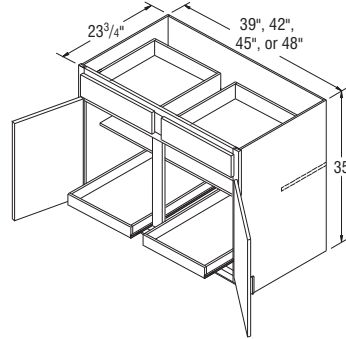
**B15RT**  
**B18RT**



**B24DDRT**



**B27RTB**  
**B30RTB**  
**B33RTB**  
**B36RTB**



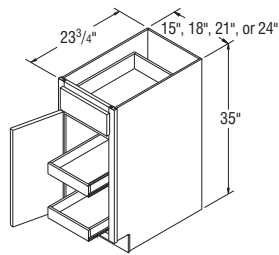
**B39RT**  
**B42RT**  
**B45RT**  
**B48RT**

**NOTES** ✓

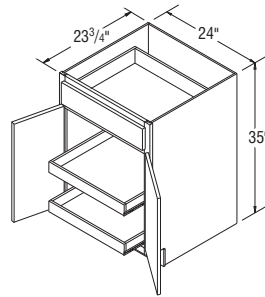
- ▶ Roll Trays feature 1/2" thick solid wood front and furniture board sides and back.
- ▶ Additional Roll Trays on page 172 may be ordered separately (TKIT).
- ▶ Upgrade charges do not include Roll Trays.
- ▶ Roll Tray Bumper Pads will be included for field installation.
- ▶ Smart Stop™ drawer guides are not available on Roll Trays in Select and APC Construction.



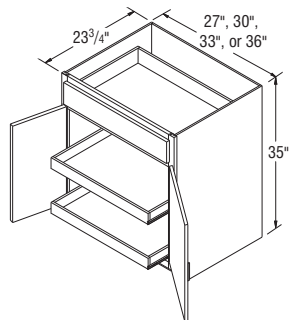
**Base Cabinets with Double Roll Trays, 35" High, 23 3/4" Deep**



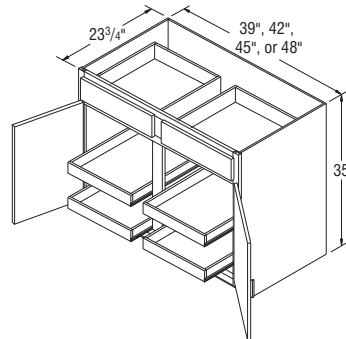
**B15RT-2**  
**B18RT-2**



**B24DDRT-2**

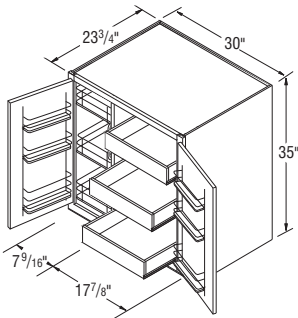


**B27RT-2B**  
**B30RT-2B**  
**B33RT-2B**  
**B36RT-2B**



**B39RT-2**  
**B42RT-2**  
**B45RT-2**  
**B48RT-2**

Base SuperCabinets™, 35" High, 30" Wide, 23 3/4" Deep (Pull-Out/Roll-Out)



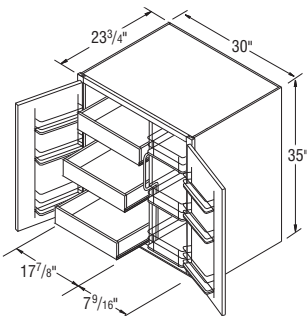
**BSC30PRB**

**NOTES** ✓

- ▶ SuperCabinet™ doors open 170° to allow sufficient Pull-Out clearance. When installing a SuperCabinet™ near a wall or corner, please allow 12" of adjacent space for proper operation of interior Pull-Outs.
- ▶ Roll Trays are solid wood dovetail boxes with Full Extension side-mounted guides.
- ▶ Upgrade charges do not include Roll Trays.
- ▶ Both doors will have a chrome and wood three-tiered rack that is 3 7/8" deep.
- ▶ Includes cabinet top.
- ▶ Smart Stop™ drawer guides are not available on Roll Trays in Select and APC Construction.
- ▶ Roll Tray Bumper Pads must be ordered separately.



Base SuperCabinets™, 35" High, 30" Wide, 23 3/4" Deep (Roll-Out/Pull-Out)



**BSC30RPB**

**NOTES** ✓

- ▶ SuperCabinet™ doors open 170° to allow sufficient Pull-Out clearance. When installing a SuperCabinet™ near a wall or corner, please allow 12" of adjacent space for proper operation of interior Pull-Outs.
- ▶ Roll Trays are solid wood dovetail boxes with Full Extension side-mounted guides.
- ▶ Upgrade charges do not include Roll Trays.
- ▶ Both doors will have a chrome and wood three-tiered rack that is 3 7/8" deep.
- ▶ Includes cabinet top.
- ▶ Smart Stop™ drawer guides are not available on Roll Trays in Select and APC Construction.
- ▶ Roll Tray Bumper Pads must be ordered separately.

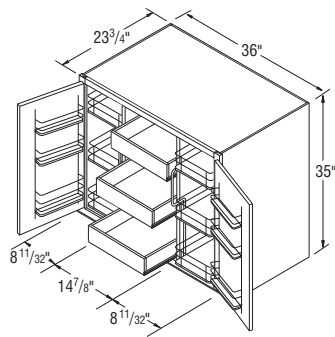


**NOTES** ✓

- ▶ SuperCabinet™ doors open 170° to allow sufficient Pull-Out clearance. When installing a SuperCabinet™ near a wall or corner, please allow 12" of adjacent space for proper operation of interior Pull-Outs.
- ▶ Roll Trays are solid wood dovetail boxes with Full Extension side-mounted guides.
- ▶ Upgrade charges do not include Roll Trays.
- ▶ Both doors will have a chrome and wood three-tiered rack that is 3½" deep.
- ▶ Includes cabinet top.
- ▶ Smart Stop™ drawer guides are not available on Roll Trays in Select and APC Construction.
- ▶ Roll Tray Bumper Pads must be ordered separately.



**Base SuperCabinets™, 35" High, 36" Wide, 23 ¾" Deep (Pull-Out/Roll-Out/Pull-Out)**



**BSC36PRPB**

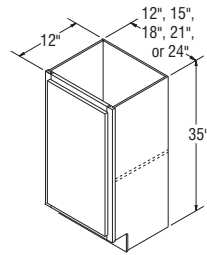
**Base Cabinets with Full Height Doors, 35" High, 12" Deep**

**NOTES** ✓

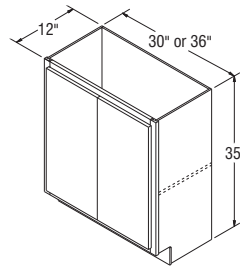
- ▶ Includes one ¾" thick full-depth adjustable shelf.
- ▶ Use with BEC12 (page 104) to transition from standard 23¾" depth to 12" depth.

**DESIGN SOLUTIONS**

- ▶ Use in designs to create varying depths in kitchens, islands, hutches, bookcases, offices, and bathrooms.



**B12FH-12**  
**B15FH-12**  
**B18FH-12**  
**B21FH-12**  
**B24FH-12**

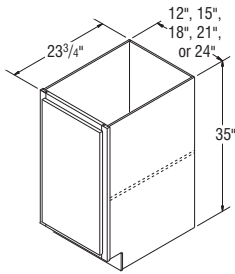


**B30FH-12B**  
**B36FH-12B**

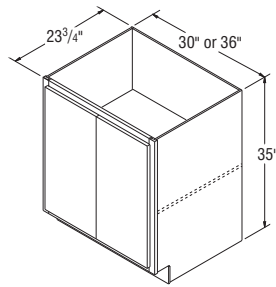
## Base Cabinets with Full Height Doors, 35" High, 23 3/4" Deep

### NOTES ✓

- Includes one 3/4" thick full-depth adjustable shelf.



**B12FH**  
**B15FH**  
**B18FH**  
**B21FH**  
**B24FH**

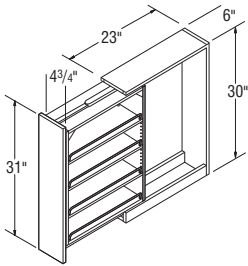


**B30FHB**  
**B36FHB**

## Base Box Column Pull-Out Cabinet, 30" High, 6" Wide, 23" Deep

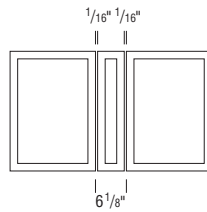
### NOTES ✓

- Features a wood Pull-Out unit with adjustable shelves, chrome rail sides, and Full Extension guides. Filler included, must be attached in the field.
- Recommend installation between two cabinets. Can be installed on the end of a run by using a 3/4" Refrigerator End Panel.
- It is recommended that the OL631 Overlay be applied to the front of the BBCP06 to give it a finished look.
- Smart Stop™ drawer guides are not available in Select and APC Construction.



**BBCP06\***

**\* In order to allow sufficient clearance, cabinet requires 6 1/8" space between adjacent cabinet face frames. Spacers included for proper installation.**



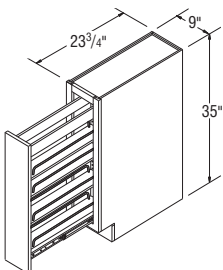
Total space required between face frames



## Base Pantry Pull-Out Cabinet, 35" High, 9" Wide, 23 3/4" Deep

### NOTES ✓

- Features a wood Pull-Out unit with adjustable shelves, chrome rail sides, and Full Extension guides.
- Smart Stop™ drawer guides are not available in Select and APC Construction.



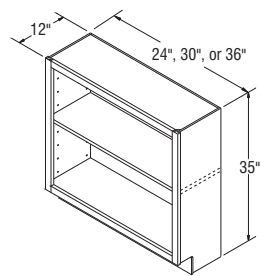
**BPP09**



**NOTES** ✓

- ▶ Cabinets include matching Aristex™ interior.
- ▶ Includes one 3/4" thick full-depth adjustable shelf.

**Base Open Cabinets, 35" High, 12" Deep**

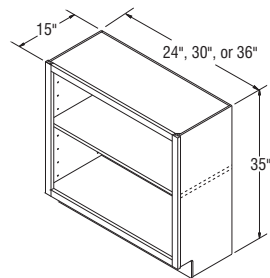


**BOL2412**  
**BOL3012**  
**BOL3612**

**NOTES** ✓

- ▶ Cabinets include matching Aristex™ interior.
- ▶ Includes one 3/4" thick full-depth adjustable shelf.

**Base Open Cabinets, 35" High, 15" Deep**

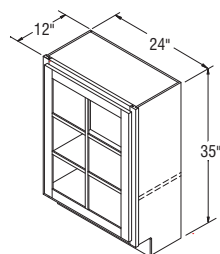


**BOL2415**  
**BOL3015**  
**BOL3615**

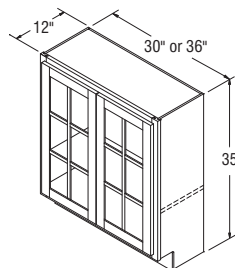
**NOTES** ✓

- ▶ Cabinets include installed clear tempered glass and matching Aristex™ interior.
- ▶ See page 28 for standard and shaker mullion door style availability and configurations.
- ▶ Mullion door cabinets not available in Teagan or VanWyke.
- ▶ Includes one 3/4" thick full-depth adjustable shelf.
- ▶ For complementary Base Mullion Door cabinets in Teagan, order as Winstead Maple, as Teagan features a slab door design.

**Base Cabinets with Mullion Doors, 35" High, 12" Deep**

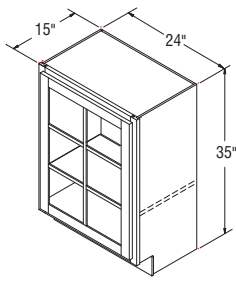


**BMD2412FH**

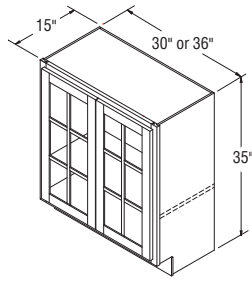


**BMD3012FHB**  
**BMD3612FHB**

## Base Cabinets with Mullion Doors, 35" High, 15" Deep



**BMD2415FH**

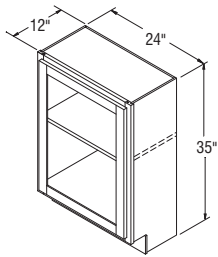


**BMD3015FHB**  
**BMD3615FHB**

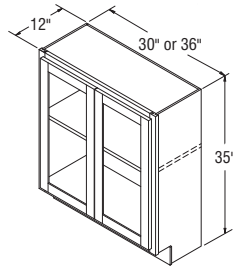
### NOTES ✓

- ▶ Cabinets include installed clear tempered glass and matching Aristex™ interior.
- ▶ See page 28 for standard and shaker mullion door style availability and configurations.
- ▶ Mullion door cabinets not available in Teagan or VanWyke.
- ▶ Includes one ¾" thick full-depth adjustable shelf.
- ▶ For complementary Base Mullion Door cabinets in Teagan, order as Winstead Maple, as Teagan features a slab door design.

## Base Cabinets with Doors Prepped for Glass, 35" High, 12" Deep



**BPG2412FH**

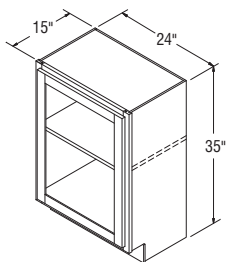


**BPG3012FHB**  
**BPG3612FHB**

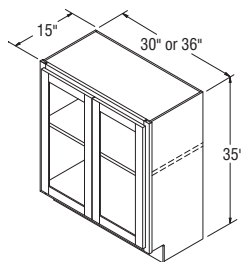
### NOTES ✓

- ▶ Cabinets include matching Aristex™ interior and clips to install glass (glass not included).
- ▶ Includes one ¾" thick full-depth adjustable shelf.
- ▶ Base Prepped for Glass Cabinets are not available in Augusta, Teagan, or VanWyke.
- ▶ For complementary Base Prepped for Glass cabinets in Teagan, order as Winstead Maple, as Teagan features a slab door design.

## Base Cabinets with Doors Prepped for Glass, 35" High, 15" Deep



**BPG2415FH**



**BPG3015FHB**  
**BPG3615FHB**

### NOTES ✓

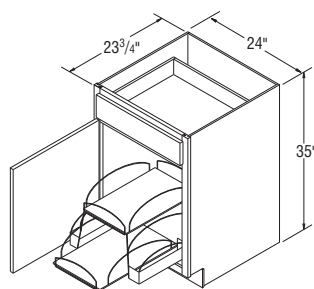
- ▶ Cabinets include matching Aristex™ interior and clips to install glass (glass not included).
- ▶ Includes one ¾" thick full-depth adjustable shelf.
- ▶ Base Prepped for Glass Cabinets are not available in Augusta, Teagan, or VanWyke.
- ▶ For complementary Base Prepped for Glass cabinets in Teagan, order as Winstead Maple, as Teagan features a slab door design.

NOTES ✓

- ▶ Full Extension slide out shelves pull out independently.
- ▶ Smart Stop™ drawer guides are not available on the Pots and Pans Pull-Out in Select and APC Construction.



Base Pots and Pans Pull-Out, 35" High, 24" Wide, 23 3/4" Deep



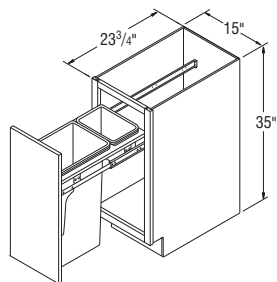
**BPPP24**

NOTES ✓

- ▶ BWB15FH has one 50-quart wastebasket and small storage tray on Full Extension guides.
- ▶ Natural maple wastebasket support.
- ▶ Smart Stop™ drawer guides are not available in Select and APC Construction.



Base Wastebasket with Full Height Door, 35" High, 23 3/4" Deep



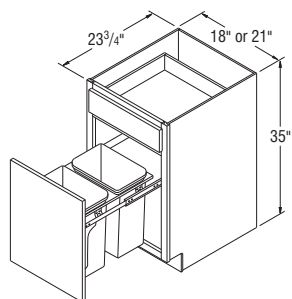
**BWB15FH**

NOTES ✓

- ▶ BWB18 and BWB21 have two 35-quart Pull-Out wastebaskets on Full Extension guides.
- ▶ Natural maple wastebasket support.
- ▶ Smart Stop™ drawer guides are not available in Select and APC Construction.



Base Wastebaskets, 35" High, 23 3/4" Deep



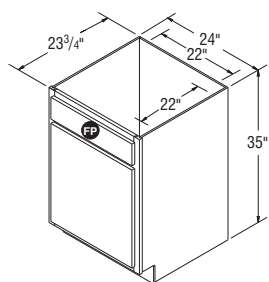
**BWB18**  
**BWB21**



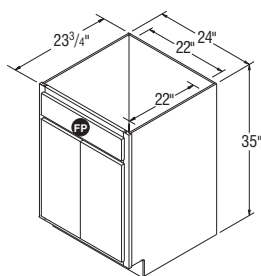
## Sink/Range Bases, 35" High, 23 3/4" Deep

### NOTES ✓

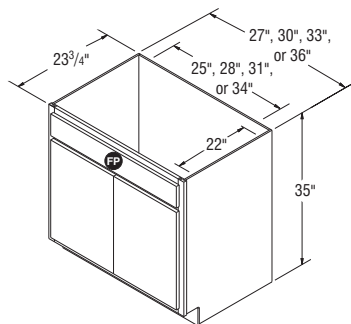
- ▶ FP = False Panel.
- ▶ It may be necessary to modify the corner braces/stretcher rails with some sink applications.
- ▶ Shelf not included; interiors will include shelf clip holes on all Sink Bases.
- ▶ Front-Onlys are not available in Sink Bases.



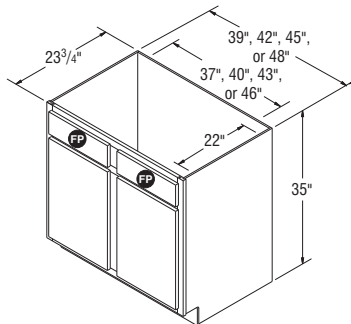
**SB24**



**SB24DD**



**SB27B**  
**SB30B**  
**SB33B**  
**SB36B**

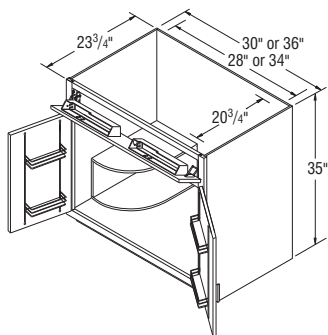


**SB39**  
**SB42**  
**SB45**  
**SB48**

## Sink Base SuperCabinets™ with Reversible Shelf, 35" High, 23 3/4" Deep

### NOTES ✓

- ▶ Reversible Shelf is constructed from 3/4" thick laminated furniture board. Shelf shipped secure, can be positioned in left or right corner.
- ▶ Both doors will have a chrome and wood two-tiered rack that is 3 1/4" deep.
- ▶ Includes two installed tip-out trays.
- ▶ Quarter round shelf will be natural maple laminate for all styles, including Glacier Gray, Stone Grey, Toasted Antique, and White styles.
- ▶ Soft Close Hinges are not available in Select and APC Construction.
- ▶ Shelf not included; interiors will include shelf clip holes on all Sink Bases.



**SB30STSB**  
**SB36STSB**

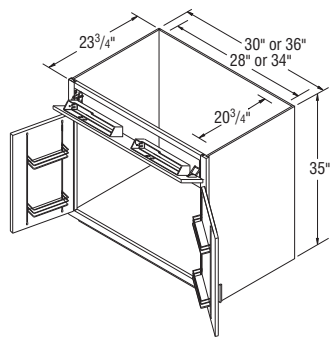


**NOTES** ✓

- ▶ Both doors will have a chrome and wood two-tiered rack that is 3<sup>3</sup>/<sub>4</sub>" deep.
- ▶ Includes two installed tip-out trays.
- ▶ Soft Close Hinges are not available in Select and APC Construction.
- ▶ Shelf not included; interiors will include shelf clip holes on all Sink Bases.



**Sink Base SuperCabinets™, 35" High, 23 3/4" Deep**

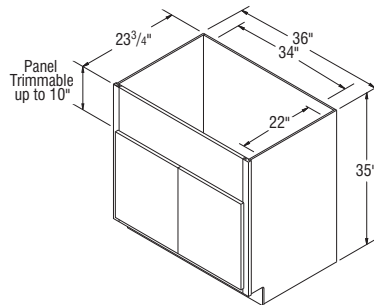


**SB30STNSB**  
**SB36STNSB**

**NOTES** ✓

- ▶ It may be necessary to modify the corner braces/stretcher rails with some sink applications.
- ▶ Shelf not included; interiors will include shelf clip holes on all Sink Bases.

**Country Sink Bases, 35" High, 23 3/4" Deep**

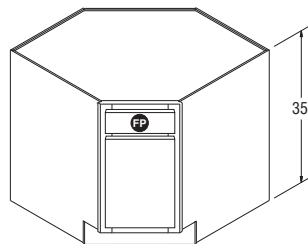


**CNTYSB36B**

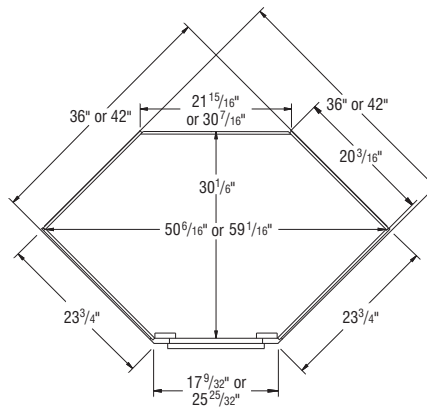
**NOTES** ✓

- ▶ FP = False Panel.
- ▶ For sufficient dishwasher door clearance and loading/unloading space, a 15" wide base cabinet is recommended for use between sink base diagonal corner cabinet and dishwasher.

**Sink Base Diagonal Corner Cabinets, 35" High, 23 3/4" Deep**



**SBDC36**  
**SBDC42**



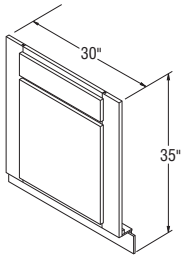
TOP VIEW

	Wall Width	Max. Sink Width
SBDC36	36" x 36"	25 <sup>3</sup> / <sub>4</sub> "
SBDC42	42" x 42"	34 <sup>1</sup> / <sub>4</sub> "

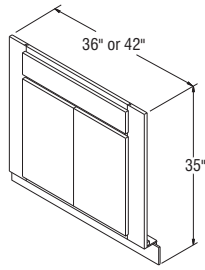
## Sink/Range Fronts, 35" High

### NOTES ✓

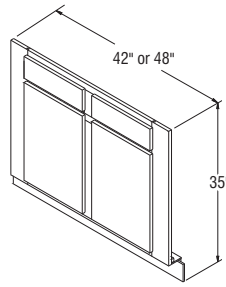
- ▶ Sink Base floor included with all units.
- ▶ Trimmable 3" each side on partial overlay styles. Not trimmable on full overlay styles.
- ▶ SF30 single door only available partial overlay styles.
- ▶ SF30B only available full overlay styles.
- ▶ SF42 only available full overlay styles.
- ▶ SF42B only available partial overlay styles.



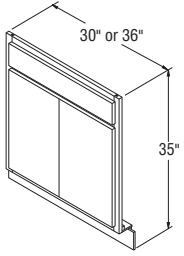
PARTIAL OVERLAY  
**SF30**



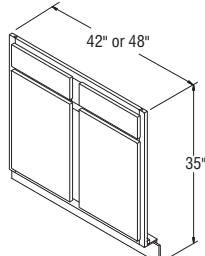
PARTIAL OVERLAY  
**SF36B**  
**SF42B**



PARTIAL OVERLAY  
**SF48**



FULL OVERLAY  
**SF30B**  
**SF36B**

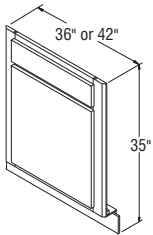


FULL OVERLAY  
**SF42**  
**SF48**

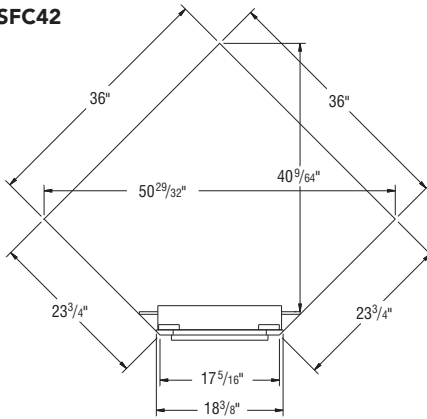
## Sink Front Corners, 35" High

### NOTES ✓

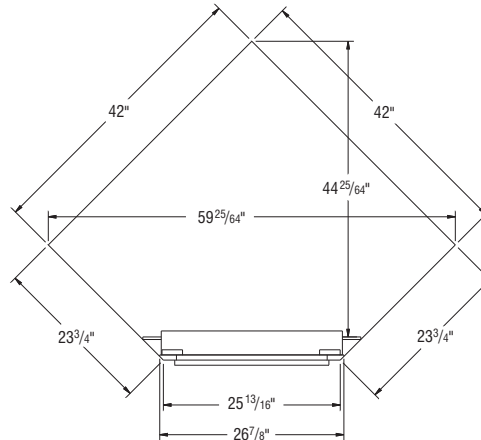
- ▶ Sink Base floor included with all units.
- ▶ Toekick is not attached, ships loose.
- ▶ For sufficient dishwasher door clearance and loading/unloading space, a 15" wide base cabinet is recommended for use between sink base diagonal corner cabinet and dishwasher.
- ▶ Floor dimensions:  
SFC36 –  $\frac{3}{8}$ " x 36" x 36".  
SFC42 –  $\frac{3}{8}$ " x 42" x 42".



**SFC36**  
**SFC42**



**SFC36**  
TOP VIEW



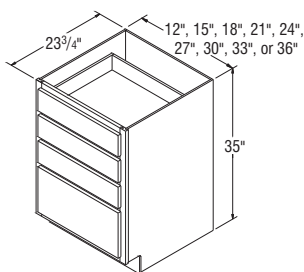
**SFC42**  
TOP VIEW

	Wall Width	Max. Sink Width
SFC36	36" x 36"	25 $\frac{3}{4}$ "
SFC42	42" x 42"	34 $\frac{1}{4}$ "

**NOTES** ✓

- ▶ DB36-4 is recommended for use with Pegged Dish Organizer (PDO) on page 168. PDO can also be trimmed to fit smaller widths.
- ▶ Raised panel styles - drawer fronts will convert to raised panel;  
Full Overlay - 10<sup>1</sup>/<sub>4</sub>" or higher  
Partial Overlay - 9<sup>7</sup>/<sub>8</sub>" or higher

**Four Drawer Bases, 35" High, 23 3/4" Deep**

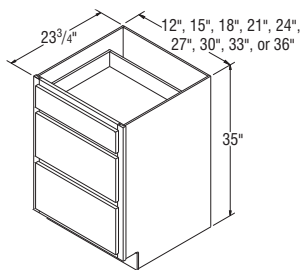


- DB12-4**
- DB15-4**
- DB18-4**
- DB21-4**
- DB24-4**
- DB27-4**
- DB30-4**
- DB33-4**
- DB36-4**

**NOTES** ✓

- ▶ DB36 is recommended for use with Pegged Dish Organizer (PDO) on page 168. PDO can also be trimmed to fit smaller widths.
- ▶ Raised panel styles - drawer fronts will convert to raised panel;  
Full Overlay - 10<sup>1</sup>/<sub>4</sub>" or higher  
Partial Overlay - 9<sup>7</sup>/<sub>8</sub>" or higher

**Three Drawer Bases, 35" High, 23 3/4" Deep**

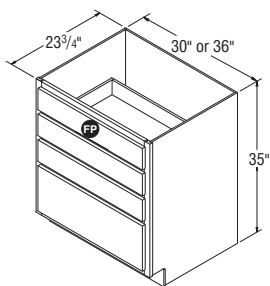


- DB12**
- DB15**
- DB18**
- DB21**
- DB24**
- DB27**
- DB30**
- DB33**
- DB36**

**NOTES** ✓

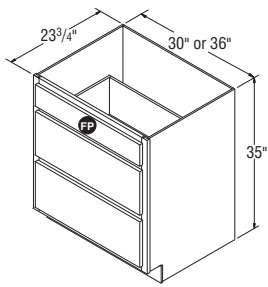
- ▶ Cabinet features a false panel to accommodate the install of a cooktop.
- ▶ DBFP36-4 is recommended for use with Pegged Dish Organizer (PDO) on page 168. PDO can also be trimmed to fit DBFP30-4.
- ▶ Raised panel styles - drawer fronts will convert to raised panel; Full Overlay - 10<sup>1</sup>/<sub>4</sub>" or higher, Partial Overlay - 9<sup>7</sup>/<sub>8</sub>" or higher
- ▶ Clearance behind drawer box and back of cabinet is approximately 3<sup>3</sup>/<sub>16</sub>" on PABD drawers and 2<sup>5</sup>/<sub>16</sub>" on plywood drawers.

**Four Drawer Bases with False Panel, 35" High, 23 3/4" Deep**



- DBFP30-4**
- DBFP36-4**

## Three Drawer Bases with False Panel, 35" High, 23 3/4" Deep

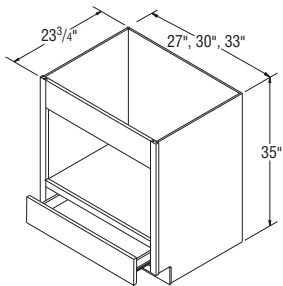


**DBFP30**  
**DBFP36**

### NOTES ✓

- ▶ Cabinet features a false panel to accommodate the install of a cooktop.
- ▶ DBFP36 is recommended for use with Pegged Dish Organizer (PDO) on page 168. PDO can also be trimmed to fit DBFP30.
- ▶ Raised panel styles - drawer fronts will convert to raised panel;  
Full Overlay - 10 1/4" or higher  
Partial Overlay - 9 7/8" or higher
- ▶ Clearance behind drawer box and back of cabinet is approximately 3 5/16" on PABD drawers and 2 5/16" on plywood drawers.

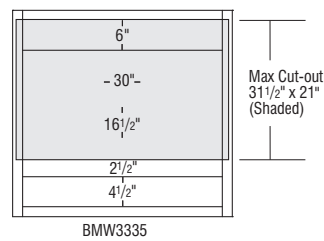
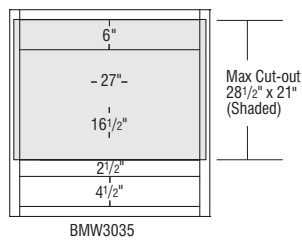
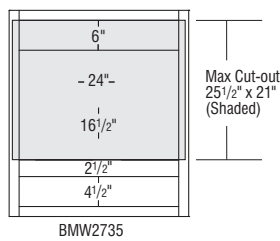
## Base Built-In Microwave Cabinet, 35" High, 23 3/4" Deep



**BMW2735**  
**BMW3035**  
**BMW3335**

### NOTES ✓

- ▶ Microwave opening is trimmable.
- ▶ Refer to line art below for cut-out dimensions.
- ▶ Designed for Built-in Microwaves with trim kits (cabinet has standard Aristex™ natural interior).

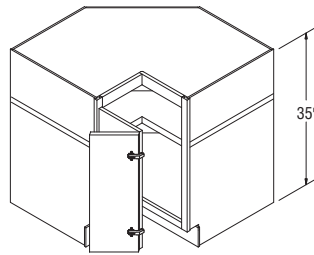


NOTES ✓

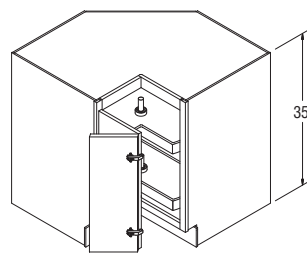
- ▶ One knuckle hinge door.
- ▶ Includes magnetic catch.
- ▶ Cannot convert SCER36 to BRER.
- ▶ BRER36 includes two 28" diameter rotating plastic white trays. Each tray has a 60 lb. load capacity
- ▶ BRER: WARNING! The rotating trays in this cabinet are preinstalled and cannot be removed or replaced. Do not stand on, or apply excessive pressure that could cause a tray to crack or break.
- ▶ Decorative hardware must be countersunk to prevent scratching of adjacent cabinets and face frame of SCER/BRER.
- ▶ Soft Close Hinges are not available in Select and APC Construction.



Square Corner/Base Roto Easy Reach Cabinets, 35" High, 23 3/4" Deep

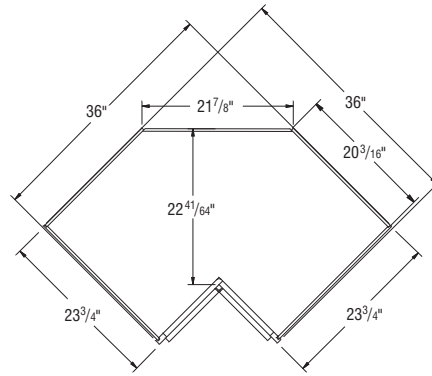


SCER36\*



BRER36\*

\*Specify L or R for full overly styles.



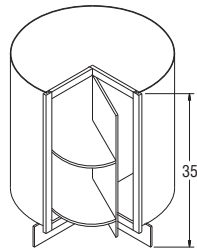
TOP VIEW

NOTES ✓

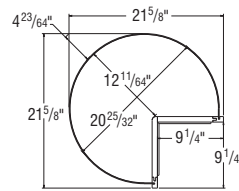
- ▶ One rotating door.
- ▶ Two rotating white shelves.
- ▶ Nominal gap of 1/4" on all sides of door.
- ▶ SCR33 has 17" diameter shelf and holds 20 lbs. per shelf.
- ▶ SCR36 has 27" diameter shelf and holds 60 lbs. per shelf.
- ▶ APC charges do not apply to SCR cabinets.
- ▶ Soft Close Hinges are not available in Select and APC Construction.



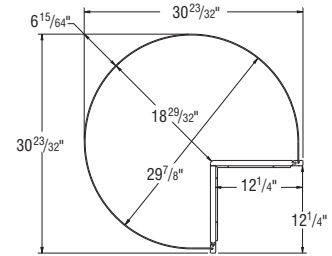
Square Corner Rotos, 35" High



SCR33  
SCR36



SCR33  
TOP VIEW

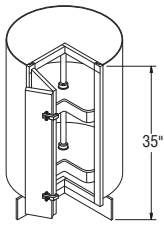


SCR36  
TOP VIEW

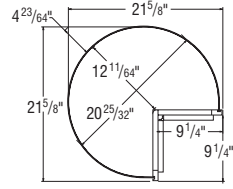
# Base Lazy Susans, 35" High

## NOTES ✓

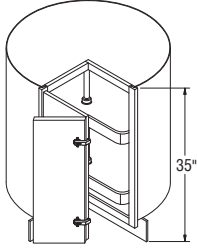
- ▶ One knuckle hinge door.
- ▶ Includes magnetic catch.
- ▶ BLS33 has two 17" diameter rotating plastic white shelves that hold 20 lbs. per shelf.
- ▶ BLS36 has two 27" diameter rotating plastic white shelves that hold 60 lbs. per shelf.
- ▶ APC charges do not apply to BLS cabinets.
- ▶ Soft Close Hinges are not available in Select and APC Construction.



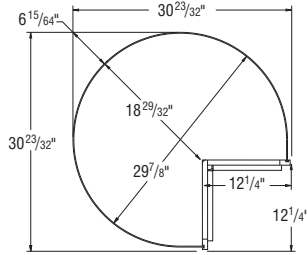
**BLS33\***



**BLS33  
TOP VIEW**



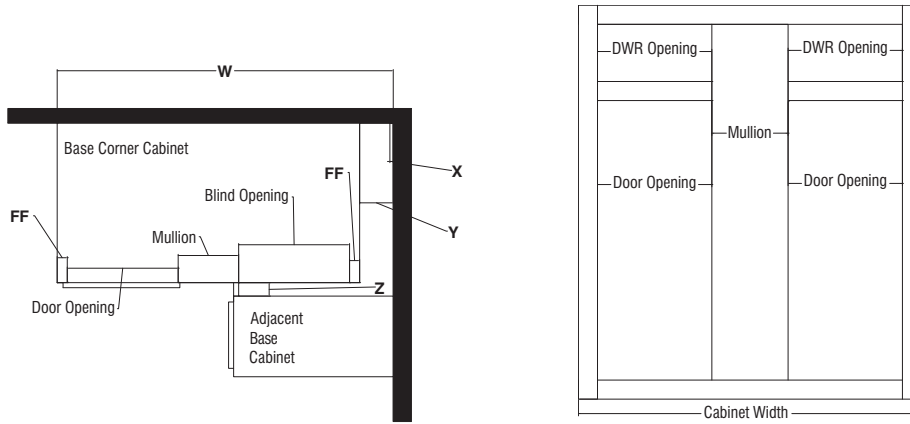
**BLS36\***



**BLS36  
TOP VIEW**

\*Specify L or R for full overlay styles.

# Base Corner Cabinet Installation Charts



## Full Overlay Base Corner Cabinet Information

Full Overlay Styles	Actual Cabinet Width	X		Y	Z		W	
		Min. Pull	Min. Pull w/Hardware	Max. Pull	Min. Filler Required	Min. Filler Required w/Hardware	Min. Pull From Wall To End of Cabinet	Max Pull From Wall To End of Cabinet
BC36	27"	9 <sup>3</sup> / <sub>4</sub> "	11 <sup>1</sup> / <sub>4</sub> "	12 <sup>1</sup> / <sub>2</sub> "	1"	2 <sup>1</sup> / <sub>2</sub> "	36 <sup>3</sup> / <sub>4</sub> "	39 <sup>1</sup> / <sub>2</sub> "
BC39	30"	6 <sup>3</sup> / <sub>4</sub> "	8 <sup>1</sup> / <sub>4</sub> "	12 <sup>1</sup> / <sub>2</sub> "	1"	2 <sup>1</sup> / <sub>2</sub> "	36 <sup>3</sup> / <sub>4</sub> "	42 <sup>1</sup> / <sub>2</sub> "
BC42	36"	3 <sup>3</sup> / <sub>4</sub> "	5 <sup>1</sup> / <sub>4</sub> "	9 <sup>1</sup> / <sub>2</sub> "	1"	2 <sup>1</sup> / <sub>2</sub> "	39 <sup>3</sup> / <sub>4</sub> "	45 <sup>1</sup> / <sub>2</sub> "
BC45	42"	3 <sup>1</sup> / <sub>4</sub> "	2 <sup>1</sup> / <sub>4</sub> "	6 <sup>1</sup> / <sub>2</sub> "	1"	2 <sup>1</sup> / <sub>2</sub> "	42 <sup>3</sup> / <sub>4</sub> "	48 <sup>1</sup> / <sub>2</sub> "
BC48	45"	0"	3 <sup>1</sup> / <sub>4</sub> "	5"	1"	2 <sup>1</sup> / <sub>2</sub> "	45"	50"
BC51	48"	0"	0"	3 <sup>1</sup> / <sub>2</sub> "	1"	2 <sup>1</sup> / <sub>2</sub> "	48"	51 <sup>1</sup> / <sub>2</sub> "

## 7/16" Overlay Base Corner Cabinet Information

7/16" Overlay Styles	Actual Cabinet Width	X		Y	Z		W	
		Min. Pull	Min. Pull w/Hardware	Max. Pull	Min. Filler Required	Min. Filler Required w/Hardware	Min. Pull From Wall To End of Cabinet	Max Pull From Wall To End of Cabinet
BC36	27"	9 <sup>1</sup> / <sub>4</sub> "	10 <sup>3</sup> / <sub>4</sub> "	12 <sup>1</sup> / <sub>2</sub> "	1/2"	2"	36 <sup>1</sup> / <sub>4</sub> "	39 <sup>1</sup> / <sub>2</sub> "
BC39	30"	6 <sup>1</sup> / <sub>4</sub> "	7 <sup>3</sup> / <sub>4</sub> "	12 <sup>1</sup> / <sub>2</sub> "	1/2"	2"	36 <sup>1</sup> / <sub>4</sub> "	42 <sup>1</sup> / <sub>2</sub> "
BC42	36"	3 <sup>1</sup> / <sub>4</sub> "	4 <sup>3</sup> / <sub>4</sub> "	9 <sup>1</sup> / <sub>2</sub> "	1/2"	2"	39 <sup>1</sup> / <sub>4</sub> "	45 <sup>1</sup> / <sub>2</sub> "
BC45	42"	1 <sup>1</sup> / <sub>4</sub> "	1 <sup>3</sup> / <sub>4</sub> "	6 <sup>1</sup> / <sub>2</sub> "	1/2"	2"	42 <sup>1</sup> / <sub>4</sub> "	48 <sup>1</sup> / <sub>2</sub> "
BC48	45"	0"	1 <sup>1</sup> / <sub>4</sub> "	5"	1/2"	2"	45"	50"
BC51	48"	0"	0"	3 <sup>1</sup> / <sub>2</sub> "	1/2"	2"	48"	51 <sup>1</sup> / <sub>2</sub> "

## Base Corner Door, Drawer Front, and Opening Sizes

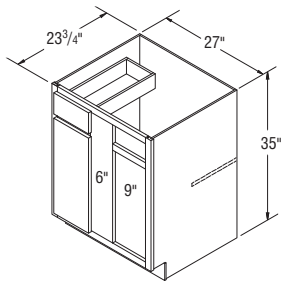
SKU	7/16" Overlay Door	7/16" Overlay Drawer Front	Full Overlay Door	Full Overlay Door Drawer Front	Door Opening	Drawer Opening
BC36	9 <sup>7</sup> / <sub>8</sub> " x 22 <sup>7</sup> / <sub>8</sub> "	9 <sup>7</sup> / <sub>8</sub> " x 5 <sup>1</sup> / <sub>8</sub> "	11 <sup>1</sup> / <sub>2</sub> " x 24 <sup>1</sup> / <sub>8</sub> "	11 <sup>1</sup> / <sub>2</sub> " x 5 <sup>3</sup> / <sub>4</sub> "	9" x 22"	9" x 4 <sup>1</sup> / <sub>2</sub> "
BC39	9 <sup>7</sup> / <sub>8</sub> " x 22 <sup>7</sup> / <sub>8</sub> "	9 <sup>7</sup> / <sub>8</sub> " x 5 <sup>1</sup> / <sub>8</sub> "	11 <sup>1</sup> / <sub>2</sub> " x 24 <sup>1</sup> / <sub>8</sub> "	11 <sup>1</sup> / <sub>2</sub> " x 5 <sup>3</sup> / <sub>4</sub> "	9" x 22"	9" x 4 <sup>1</sup> / <sub>2</sub> "
BC42	12 <sup>7</sup> / <sub>8</sub> " x 22 <sup>7</sup> / <sub>8</sub> "	12 <sup>7</sup> / <sub>8</sub> " x 5 <sup>1</sup> / <sub>8</sub> "	14 <sup>1</sup> / <sub>2</sub> " x 24 <sup>1</sup> / <sub>8</sub> "	14 <sup>1</sup> / <sub>2</sub> " x 5 <sup>3</sup> / <sub>4</sub> "	12" x 22"	12" x 4 <sup>1</sup> / <sub>2</sub> "
BC45	15 <sup>7</sup> / <sub>8</sub> " x 22 <sup>7</sup> / <sub>8</sub> "	15 <sup>7</sup> / <sub>8</sub> " x 5 <sup>1</sup> / <sub>8</sub> "	17 <sup>1</sup> / <sub>2</sub> " x 24 <sup>1</sup> / <sub>8</sub> "	17 <sup>1</sup> / <sub>2</sub> " x 5 <sup>3</sup> / <sub>4</sub> "	15" x 22"	15" x 4 <sup>1</sup> / <sub>2</sub> "
BC48	17 <sup>3</sup> / <sub>8</sub> " x 22 <sup>7</sup> / <sub>8</sub> "	17 <sup>3</sup> / <sub>8</sub> " x 5 <sup>1</sup> / <sub>8</sub> "	19" x 24 <sup>1</sup> / <sub>8</sub> "	19" x 5 <sup>3</sup> / <sub>4</sub> "	16 <sup>1</sup> / <sub>2</sub> " x 22"	16 <sup>1</sup> / <sub>2</sub> " x 4 <sup>1</sup> / <sub>2</sub> "
BC51	18 <sup>7</sup> / <sub>8</sub> " x 22 <sup>7</sup> / <sub>8</sub> "	18 <sup>7</sup> / <sub>8</sub> " x 5 <sup>1</sup> / <sub>8</sub> "	20 <sup>1</sup> / <sub>2</sub> " x 24 <sup>1</sup> / <sub>8</sub> "	20 <sup>1</sup> / <sub>2</sub> " x 5 <sup>3</sup> / <sub>4</sub> "	18" x 22"	18" x 4 <sup>1</sup> / <sub>2</sub> "



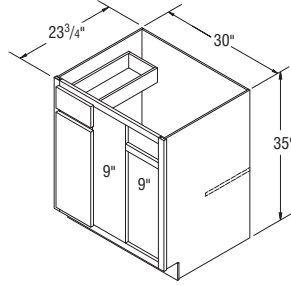
# Base Corner Cabinets, 35" High, 23 3/4" Deep

## NOTES

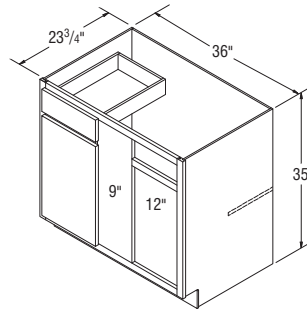
- ▶ Adjustable 3/4" thick half-depth shelf included.
- ▶ All Base Corner cabinets are reversible from left blind to right blind.
- ▶ 3" Filler is included with all Base Corner cabinets and shipped under Toekick or in cabinet. Brellin, Briarcliff II, Durham, Eastland, Overton, and Wentworth styles come with F331 and OL31.
- ▶ To ensure proper door/drawer clearance, we recommend you do not install appliances next to the blind.
- ▶ One door and one drawer.
- ▶ Cabinets are designed to use same amount of wall space designated in the sku nomenclature.
- ▶ Cover panel shipped with cabinet for field installation to cover blind opening.
- ▶ Reference Installation Charts for proper size and identification. See page 102.



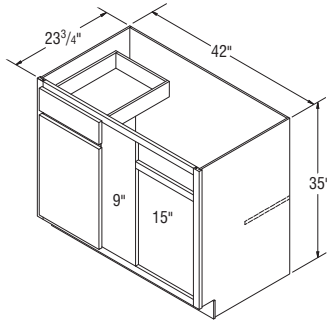
**BC36**



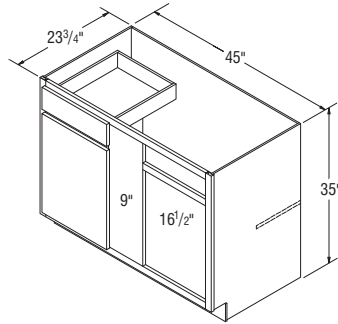
**BC39**



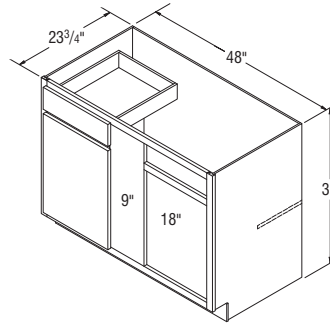
**BC42**



**BC45**



**BC48**



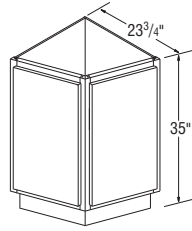
**BC51**

NOTES ✓

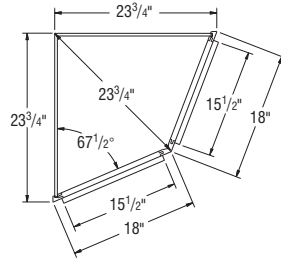
- ▶ Two doors.
- ▶ Includes 1/2" thick fixed shelf.
- ▶ Not designed for stand alone island applications.
- ▶ Standard and Select have laminate, non-matching sides.
- ▶ APC sides are unfinished.



Base End Cabinet, 35" High, 23 3/4" Deep



**BECF24**



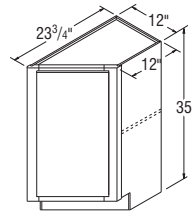
TOP VIEW

NOTES ✓

- ▶ Includes one 12" deep 3/4" thick adjustable shelf.
- ▶ 23 3/4" side is unfinished in APC only.



Base End Cabinet, 35" High, 12" Wide, 23 3/4" Deep



**BEC12\***



BEC12R  
TOP VIEW



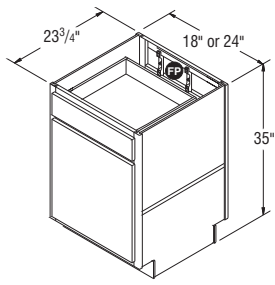
BEC12L  
TOP VIEW

\*L or R designation specifies 12" deep side and door hinging.

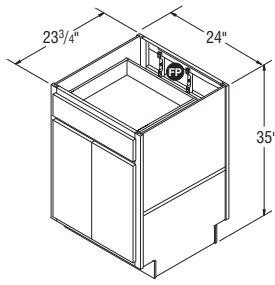
# Peninsula Base Cabinets, 35" High, 23 3/4" Deep

**NOTES** ✓

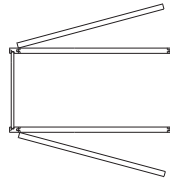
- ▶ Reversible units with one full-depth, 3/4" thick, plywood fixed shelf in all construction platforms.
- ▶ Peninsula cabinets not designed to be used as stand alone island cabinets.
- ▶ PB18 and PB24 have two doors, one drawer, and one drawer front.
- ▶ PB24DD has four doors, one drawer, and one drawer front.
- ▶ PB42–PB48 have four doors, two drawers, and two drawer fronts.
- ▶ PB30B–PB36B have four doors (two sets of butt doors), one drawer, and one drawer front.



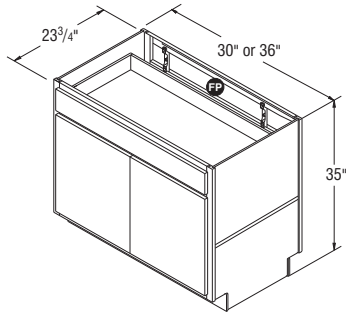
**PB18  
PB24**



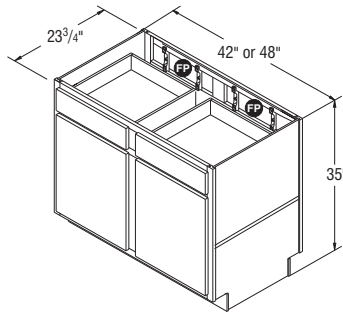
**PB24DD**



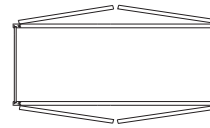
TOP VIEW



**PB30B  
PB36B**



**PB42  
PB48**



TOP VIEW