

Xenex Control Panel

BSI approved to EN54: Parts 2 & 4, the Xenex control panel can be used on installations meeting BS 5839:Part1. Control panel options for 2-8 zones can be specified.

Designed to simplify system installation, each Xenex panel contains an integral power supply and battery support to drive up to 8 alarm sounder circuits, 2 auxiliary relay contacts, a zone disablement facility and also one-man test and commissioning features.

Utilising LPCB approved conventional smoke or heat detectors, Xenex offers exceptional value for money.



Description

The Xenex conventional fire detection and alarm system from Gent provides owners of small building premises with quality protection equipment at an economical price.

KEY FEATURES

- Xenex deploys devices on conventional radial wiring layouts using standard 2-core cable
- Device options include a full range of smoke detectors (optical, beam and duct types), heat detectors (fixed temperature or rate of rise types), sounders, strobes and bells
- Sounder options include shallow base, deep base and bedhead sounder types
- For installations where a high degree of weatherproofing is required, IP55 rated sounders, sirens and bells are available
- Common accessories such as manual call points (standard IP54 rated or key operated anti-vandal types, available as either surface mounted or flush-fitted models), door release units and Xenon flashers can all be accommodated
- Spare test keys (for testing manual call points without breaking the glass), spare glasses (packs of 10) and False alarm verification feature to filter out false alarms is selectable through software

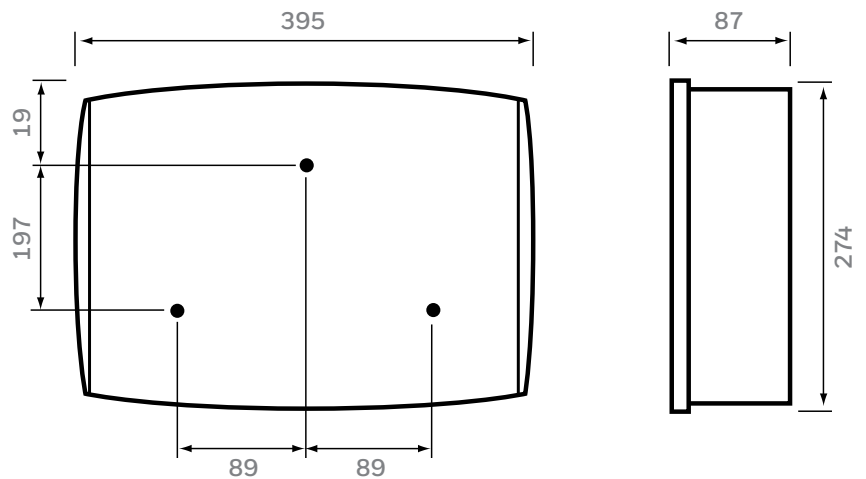
Xenex Control Panel Technical Specifications

ORDER CODES	
2 ZONE CONVENTIONAL PANEL, EN54 LESS BATTERIES	13270-02LB
4 ZONE CONVENTIONAL PANEL, EN54 LESS BATTERIES	13270-04LB
8 ZONE CONVENTIONAL PANEL, EN54 LESS BATTERIES	13270-08LB
REPEAT PANEL	
8 ZONE REPEAT INDICATOR, LESS BATTERIES	13271-08LB
SPARES FOR XENEX / 3270	
PCB ASSEMBLY XENEX 2-ZONE	XENS-MCB-2
PCB ASSEMBLY XENEX 4-ZONE	XENS-MCB-4
PCB ASSEMBLY XENEX 8-ZONE	XENS-MCB-8
SPARES PACK FOR XENEX PANELS	XENS-SPARE
REPLACEMENT MOULDINGS AND COVER PLATES	XENS-FLAP
SPARE BATTERIES	
BATTERIES FOR 2, 4 ZONE XENEX AND XENEX REPEAT USE 2 X 2.1AH 12V	4015-502-Y
BATTERIES FOR 8 ZONE XENEX USE 2 X 3.4AH 12V	4014-509-Y

SPECIFICATION			
NO. OF ZONES	2	4	8
MAXIMUM LOAD PER ZONE	3mA		
NO. OF SOUNDER CIRCUITS	2	4	8
MAX. SOUNDER CIRCUIT LOAD	500mA per circuit max 1A combined		
BATTERIES	2 x 12V, 2.1 Ah min	2 x 12V, 2.1 Ah min	2 x 12V, 3.4 Ah
BATTERY STANDBY	72 hours (1mA per zone + 0.5A sounder load max)		
WEIGHT (APPROX. WITH BATTERIES)	5.8Kg	5.8Kg	6.2Kg
CABLE TYPE	BS 6387, 2 core, min 1.5mm ² CSA		
OPERATING ENVIRONMENT	Indoor, 0 - 40°C		
CLASS CHANGE FACILITY	Volt free contact - max distance 100m		
APPROVALS	BSI Approved (KM 553763)		
CPD NO	0086-CPD-553764		
RELEVANT STANDARD	EN54: Parts 2 & 4		

Note: Maximum of only one, 8 zone repeat panel per system

Dimensions (mm)



For more information
www.gent.co.uk

Honeywell Gent
140 Waterside Road
Hamilton Industrial Park,
Leicester, LE5 1TN
Telephone: 0116 246 2042
E-mail: gentenquiry@honeywell.com

Content subject to change without notice.
GEN144 | 03/2017
© 2017 Honeywell International Inc.