

Conventional Manual Call Points

Our conventional manual call points are designed to provide a manual alarm interface to conventional fire alarm control panels. All call points are supplied in the standard red colour and are available in semi-flush mounting or surface mounting options. The manual call points are all with a 470 Ohm resistor and Normally Open contact, complete with glass.

Both break glass, and resettable operating elements can be used in the standard unit by a yellow strip on the element which becomes visible when activated.

With the addition of a hinged transparent cover the element may be protected against accidental operation.

A specialist test key may be inserted into the bottom of the unit to lower the glass and release the micro-switch and thus a full functional test is achieved.



Description

Our range of conventional manual call points from Honeywell Gent simplifies installation time.

KEY FEATURES

- Fully compliant with EN54, Part 11
- Re-settable operating element option
- Weather proof IP67
- Semi-flush or surface mounting
- 470 Ohm resistor and Normally Open contact complete with glass
- Resistive and clean contact connections

Conventional Manual Call Points Technical Specifications

ORDER CODES – CONVENTIONAL MCP WITH 470 OHM RESISTOR AND N/O CONTACT

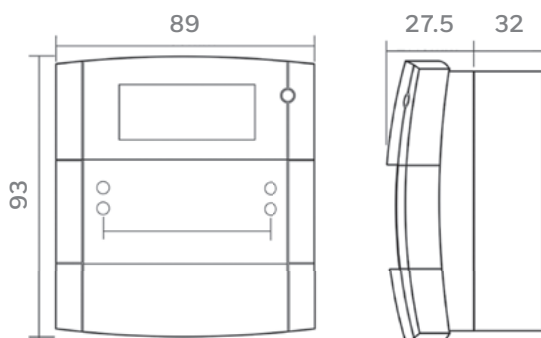
| | |
|---|----------|
| FLUSH MCP 470 OHMS GLASS | XENS-850 |
| SURFACE MCP 470 OHMS RE-SETTABLE | XENS-805 |
| WEATHERPROOF MCP 470 OHMS RESISTOR GLASS | XENS-829 |
| KEY OPERATED, SURFACE MOUNTED C/W BACKBOX | XENS-807 |
| CHANGE OVER CONTACT MCP | XENS-801 |

ORDER CODES – NEW MANUAL CALL POINT ACCESSORIES AND SPARES

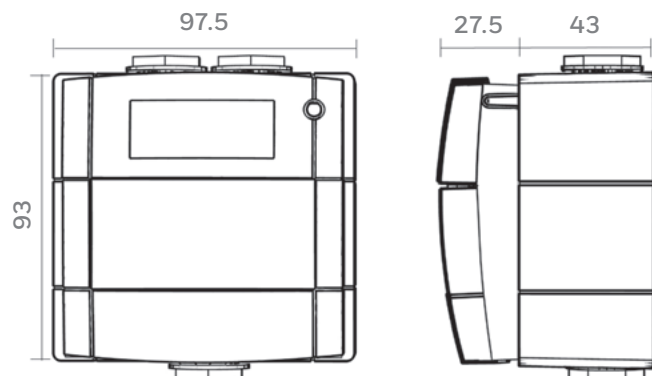
| | |
|--|----------|
| SPARE GLASSES FOR MCP XENS-800 (PACK OF 10) | XENS-891 |
| RESETTABLE ELEMENT FOR XENS-800 AND XENS-805 (PACK OF 10) | XENS-890 |
| HINGED PROTECTIVE COVER FOR USE ON XENS-800 RANGE (PACK OF 10) | XENS-892 |
| SURFACE BACKBOX FOR XENS-800 RANGE OF MCP (PACK OF 10) | XENS-895 |
| REPLACEMENT KEYS FOR XENS-807 K/S MCP (PACK OF 10) | XENS-893 |
| PACK OF TEST KEYS (PACK OF 10) | XENS-899 |

| SPECIFICATION | STANDARD | WEATHERPROOF |
|---------------------------------|--------------------------------------|-------------------------|
| | WEIGHT | 180g (130g Semi- flush) |
| CURRENT RATING | 2A (switching only) | 2A (switching only) |
| OPERATING VOLTAGE | 30VDC maximum | 30VDC maximum |
| DIMENSIONS MM (H X W X D) | Semi-flush mounted 93 x 89 x 59.5 | - |
| OPERATING TEMPERATURE | -10°C to +55°C | -30°C to +70°C |
| RELATIVE HUMIDITY | 93+ 3% non-condensing | 0-95% non-condensing |
| INGRESS PROTECTION (IP) RATING. | IP24D | IP67 |

Dimensions (mm): Standard MCP, surface mounted



Dimensions (mm): Waterproof MCP



For more information

www.gent.co.uk

Honeywell Gent

140 Waterside Road
Hamilton Industrial Park,
Leicester, LE5 1TN
Telephone: 0116 246 2042
E-mail: gentenquiry@honeywell.com

Content subject to change without notice.

GEN128 | 01/2017
© 2017 Honeywell International Inc.

Honeywell
GENT