

VESDA Access HLI

VHX-0320 Standard
VHX-1320 Wall-Mounted



VESDA Access High Level Interface

The VESDA Access High Level Interface (HLI) integrates VESDAnet¹ networks with host monitoring platforms such as Building Management Systems (BMSs) and Fire Alarm Control Panels (FACPs).

The Access HLI acts as a proxy for all VESDA devices on the VESDAnet network, providing access to the rich status information available from VESDA detectors as well as the ability to control and configure these devices. The Access HLI is able to report alarms to the host within a few seconds of a detector reaching an alarm condition. Exact performance is dependent on the polling strategy and size of the monitored network. The Access HLI is able to support up to 100 VESDA detectors on a single VESDAnet network.

In its simplest configuration, the Access HLI provides a simple Master/Slave interface which allows the host to monitor and control the VESDA devices on a VESDAnet network.

The Access HLI also supports a subscription mechanism allowing the host to be asynchronously notified of changes in the status of the monitored VESDA devices on a VESDAnet network. The host will be notified whenever the state of a device changes such as an alarm or fault condition being raised.

VHX-1320 Wall-Mounted Access HLI

The wall-mounted version is housed in a metal enclosure allowing for permanent mounting on a flat surface. With a built-in VESDAnet interface you don't need a remote VESDAnet socket module making the wall-mounted HLI a cost effective solution to your interface requirements.

VHX-0320 Access HLI

A standard unit used to provide a flexible solution where permanent mounting is not required. In this case a VESDAnet socket interface is required to connect the HLI onto the VESDAnet network.

Features

- Direct access and monitoring of your entire VESDAnet network
- Seamless data transfer
- Easily configured using Xtralis configuring and monitoring software packages

Listings/Approvals

VESDA HLIs are recommended for monitoring only. They are not approved by Xtralis for use as a primary reporting device.

Protocol Supports

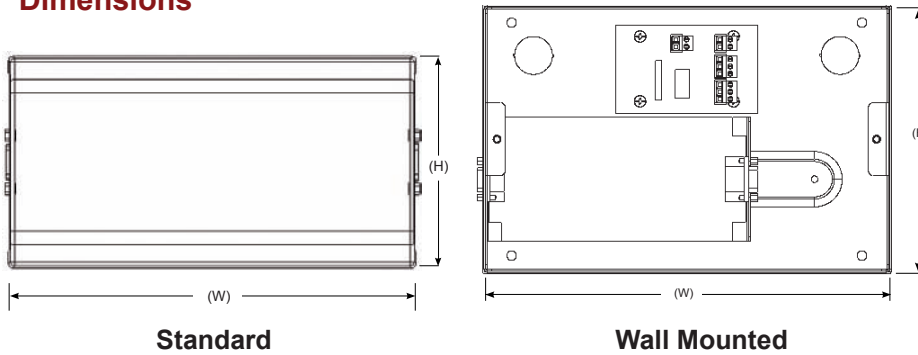
- VESDA VLP, VLS, VLC, VLF, VLI and VFT-15 range of Detectors
- Alarm Status
- Fault Status
- Smoke Level
- Detailed Fault Information
- Alarm Thresholds
- Detector Control including Reset, Disable, Silence, Alarm Test and Normalise
- Operational Status for processes such as Normalisation and AutoLearn
- Asynchronous notification of the device state including alarm level, detailed faults and current thresholds

¹ VESDAnet is a propriety communications protocol allowing your VESDA range of smoke detectors, displays, programmers and remote units (collectively known as devices) to communicate with each other on the one network. VESDAnet is a fault tolerant bi-directional protocol. This means that if one direction of communication fails, then your VESDAnet messages are transmitted in the opposite direction.

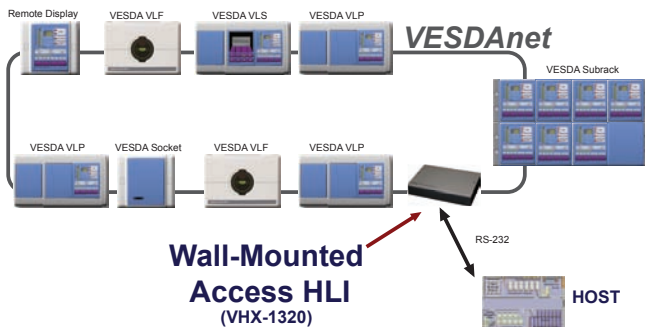
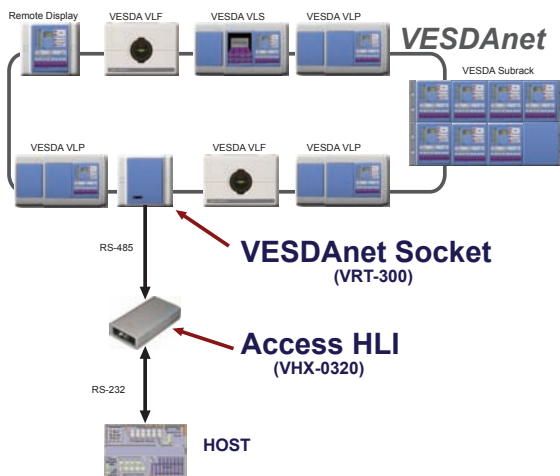
VESDA Access HLI

VHX-0320 Standard
VHX-1320 Wall-Mounted

Dimensions



Example VESDAnet system with Access Protocol HLI



Ordering Information

Product	Part number
VESDA Access HLI Standard	VHX-0320
VESDA Access HLI Metal Box Wall-mounted	VHX-1320
VESDALink RS-232 9-way serial cable	VSP-509 (Spare part)
VESDAnet RS-485 15-way cable	VSP-511 (Spare part)

Specifications

Power Consumption:
1.68 W (Quiescent)

Supply Voltage:
24 VDC

Current Consumption:
70 mA (Quiescent)

Number of Detectors Supported:
Up to 100 detectors

Standard:

Dimensions (WHD):
188 mm x 98 mm x 40 mm
(7.4 in. x 3.9 in. x 1.6 in. approx.)

Weight:
0.4 kg (0.9 lbs)

Supplied With:
VESDALink RS-232 9-way serial cable
(male-female).
VESDAnet RS-485 15-way cable
(male-female)

Wall Mounted:

Dimensions (WHD):
280 mm x 185 mm x 55 mm
(11 in. x 7.3 in. x 2.2 in. approx.)

Weight:
2 kg (4.4 lbs)

Supplied With:
VESDALink RS-232 9-way serial cable
(male-female).

Product Warranty

2 years

www.xtralis.com

The Americas +1 781 740 2223 Asia +852 2916 8876 Australia and New Zealand +61 3 9936 7000
UK and Europe +44 1442 242 330 Middle East +962 6 588 5622

The contents of this document are provided on an "as is" basis. No representation or warranty (either express or implied) is made as to the completeness, accuracy or reliability of the contents of this document. The manufacturer reserves the right to change designs or specifications without obligation and without further notice. Except as otherwise provided, all warranties, express or implied, including without limitation any implied warranties of merchantability and fitness for a particular purpose are expressly excluded.

This document includes registered and unregistered trademarks. All trademarks displayed are the trademarks of their respective owners. Your use of this document does not constitute or create a licence or any other right to use the name and/or trademark and/or label.

This document is subject to copyright owned by Xtralis AG ("Xtralis"). You agree not to copy, communicate to the public, adapt, distribute, transfer, sell, modify or publish any contents of this document without the express prior written consent of Xtralis.