

Electronic Bells

Honeywell Gent offers an electronic bell for a wide range of applications. The combination of a miniature solenoid with an integrated control circuit allows excellent sound coverage, minimum current consumption and increased reliability. The improved aesthetics make the bell suitable for all applications including the most prestigious locations.

Benefits

- Suitable for all locations
- Easy to fit
- Provides protection up to IP44C With Weather Resistant Option
- Easily identified signal



Description

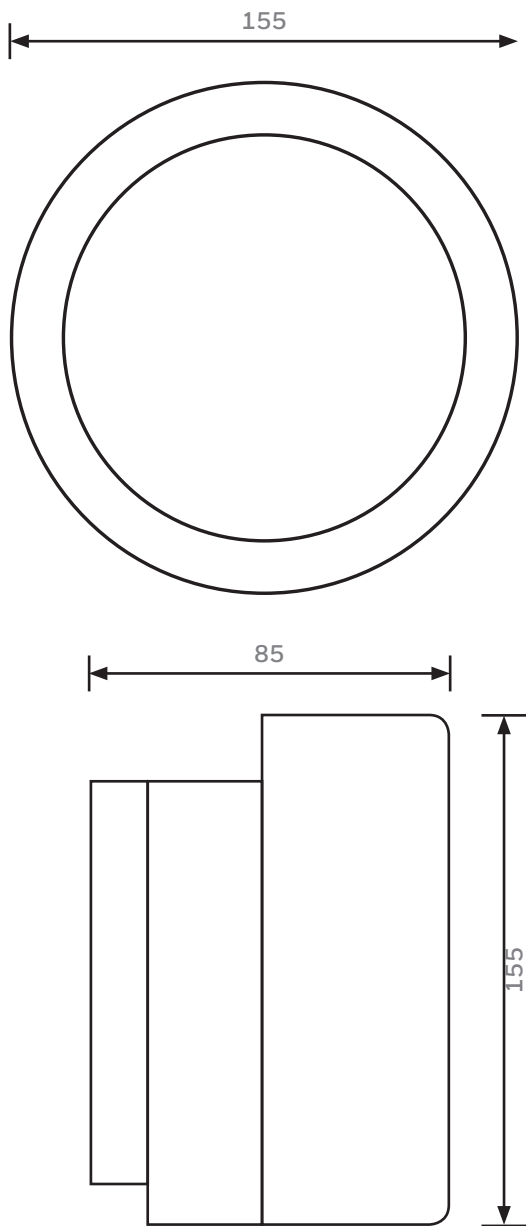
An EN 54-3 compliant electronic bell for a wide range of applications. Available in red or grey metal casing and is suitable for both semi flush and surface mounting.

KEY FEATURES

- Modern design
- Clip together assembly
- Weatherproof kit option
- High "ring" output

Electronic Bells Technical Specifications

Dimensions (mm)



SPECIFICATION			
VOLTAGE	12VDC	24VDC	230VAC
CURRENT	12 Vdc 55 - 65mA 24 Vdc 25 - 35mA 230 Vac 20 - 30mA		
SOUND OUTPUT	93 - 95dB(A)		
MONITORING	Reverse polarity (dc only)		
TEMPERATURE	-25°C to +70°C		
PROTECTION	IP21C / IP44C (Weather Resistant Option)		
CONSTRUCTION	Gong - steel, base - polycarbonate		
WEIGHT	12 Volt 1.1Kg	24 Volt 1.1Kg	230 Volt 1.2Kg
COLOURS	Gong - Red or Grey Base - Black		

ORDER CODES	
74430-88NM	Electronic Solenoid Bell 24V DC, Red IP21
74432-88NM	Electronic Solenoid Bell 24V DC, Red Weather Resistant IP44
74333-50NM	Electronic Solenoid Bell 230V AC Grey Weather Resistant IP44
74431-66NM	Electronic Solenoid Bell 12V DC, Grey IP21

For more information
www.gent.co.uk

Honeywell Gent
 140 Waterside Road
 Hamilton Industrial Park,
 Leicester, LE5 1TN
 Telephone: 0116 246 2042
 E-mail: gentenquiry@honeywell.com

Content subject to change without notice.

GEN143 | 03/2017
 © 2016 Honeywell International Inc.